

HYUNDAI
POWER PRODUCTS

BRUSHLESS
MOTOR

CORDLESS JIG SAW

AKKU-STICHSÄGE

SCIE SAUTEUSE SANS FIL

SEGHETTO ALTERNATIVO A BATTERIA

SIERRA DE CALAR A BATERÍA

ACCU DECOUPEERZAAG

FIERĂSTRĂU PENDULAR CU ACUMULATOR

AKKUMULÁTOROS DEKORÍFÚRÉSZ

MÁY CŮA LŮNG DŮNG PIN

БЕЗЖИЧНА УБОДНА ПИЛА

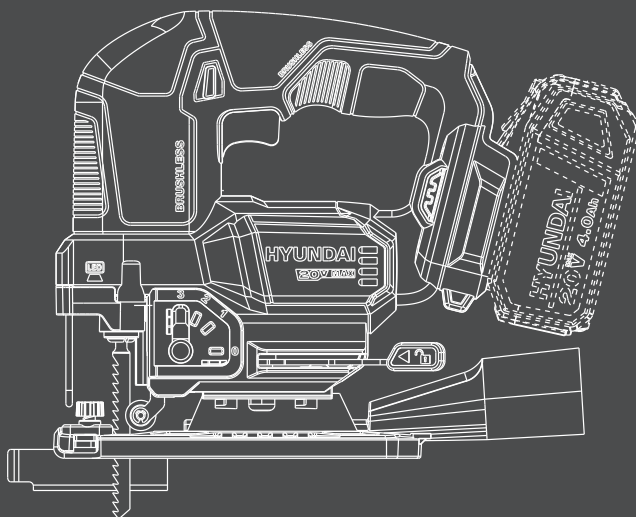
AKÜLÜ DEKURAJ TESTERE

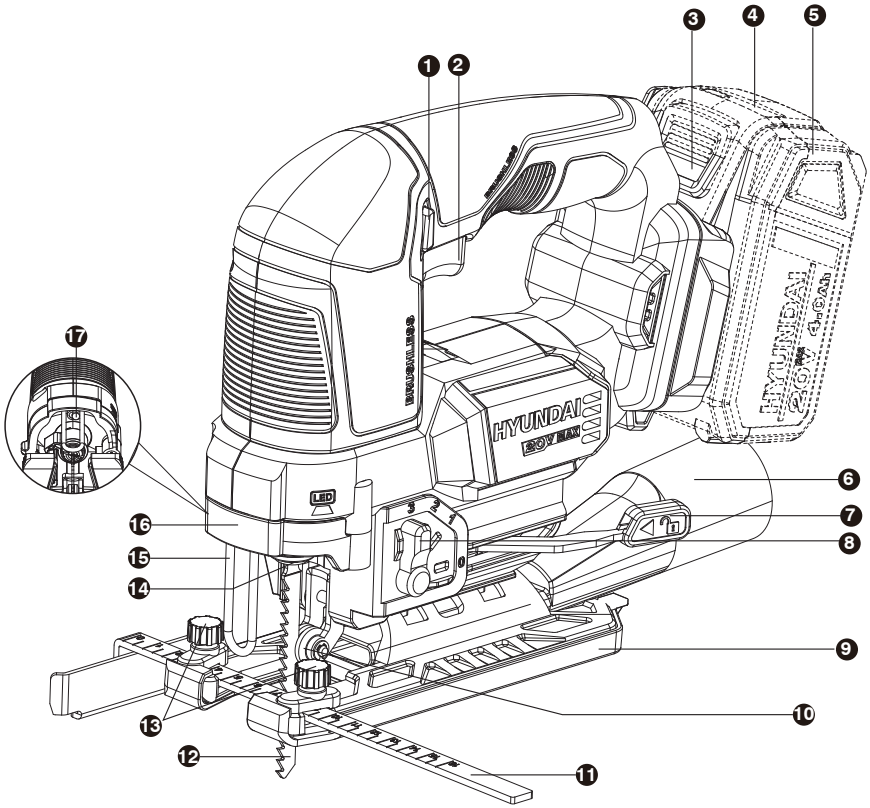
JS20X-26

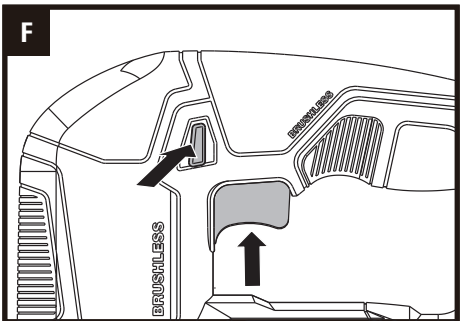
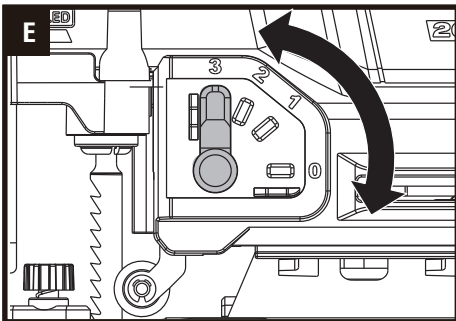
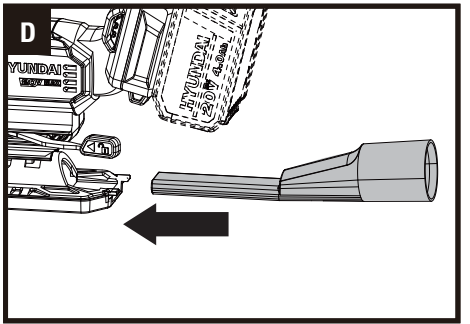
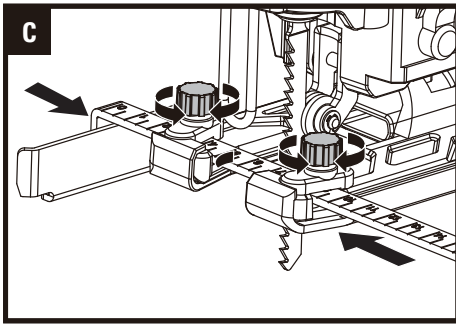
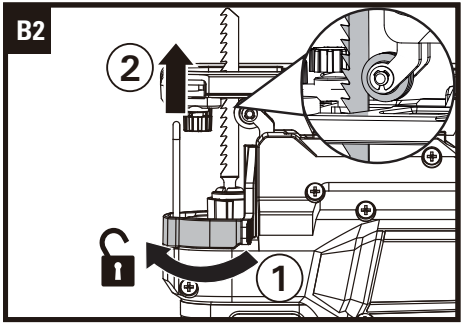
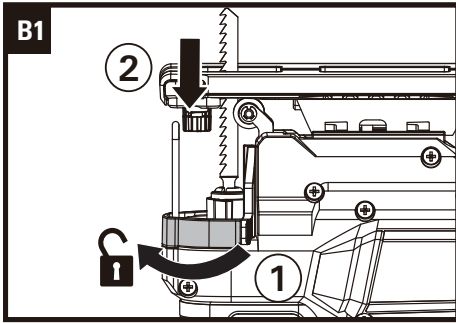
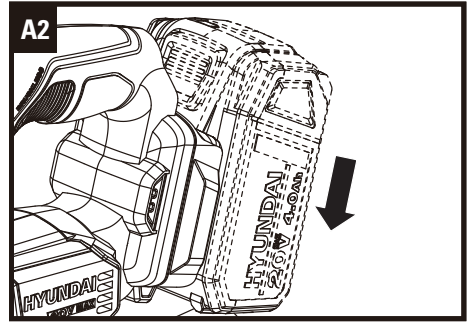
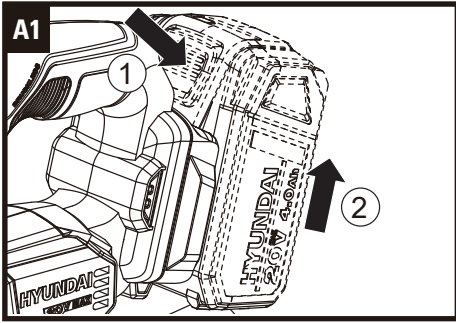
User Manual/Benutzerhandbuch/Manuel de l'utilisateur/Manuale dell'utente
Manual del Usuario/Gebruikershandleiding/Manualul utilizatorului/Felhasználói kézikönyv/
Hướng dẫn sử dụng/Упатство за користење/Kullanım kılavuzu

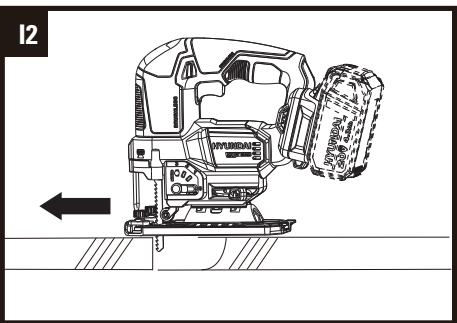
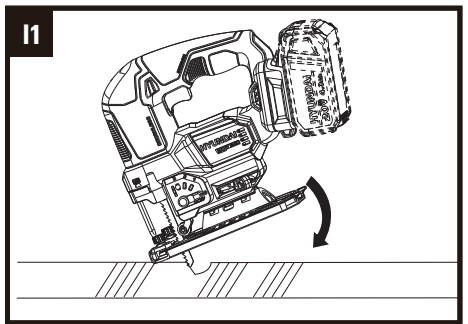
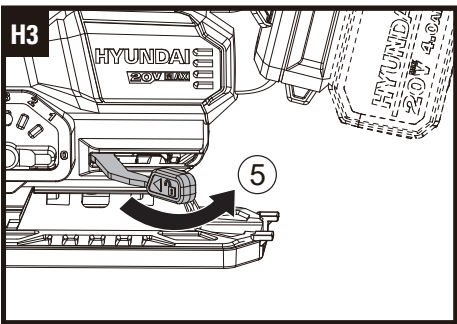
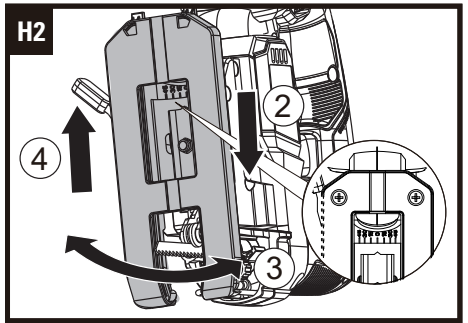
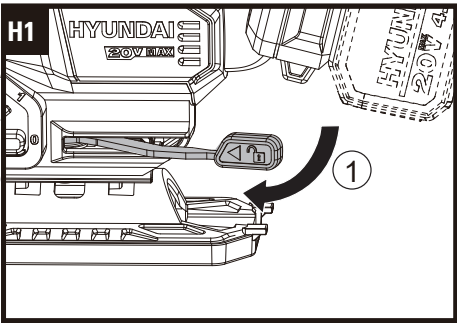
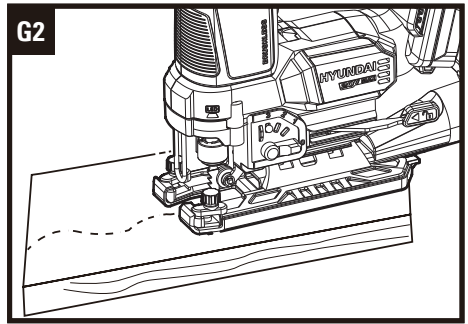
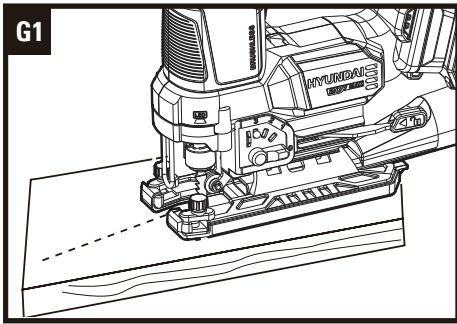


GENUINE PRODUCT OF
HYUNDAI CORPORATION









ORIGINAL INSTRUCTION PRODUCT SAFETY GENERAL POWER TOOL SAFETY WARNINGS



WARNING! Read all safety warnings, instructions, illustrations and specifications provided with this power tool. *Failure to follow all instructions listed below may result in electric shock, fire and/or serious injury.*

Save all warnings and instructions for future reference.

The term "power tool" in the warnings refers to your mains-operated (corded) power tool or battery-operated (cordless) power tool.

1. Work area safety

- a) Keep work area clean and well lit. *Cluttered or dark areas invite accidents.*
- b) Do not operate power tools in explosive atmospheres, such as in the presence of flammable liquids, gases or dust. *Power tools create sparks which may ignite the dust or fumes.*
- c) Keep children and bystanders away while operating a power tool. *Distractions can cause you to lose control.*

2. Electrical safety

- a) Power tool plugs must match the outlet. Never modify the plug in any way. Do not use any adapter plugs with earthed (grounded) power tools. *Unmodified plugs and matching outlets will reduce risk of electric shock.*
- b) Avoid body contact with earthed or grounded surfaces, such as pipes, radiators, ranges and refrigerators. *There is an increased risk of electric shock if your body is earthed or grounded.*
- c) Do not expose power tools to rain or wet conditions. *Water entering a power tool will increase the risk of electric shock.*
- d) Do not abuse the cord. Never use the cord for carrying, pulling or unplugging the power tool. Keep cord away from heat, oil, sharp edges or moving parts. *Damaged or entangled cords increase the risk of electric shock.*

- e) When operating a power tool outdoors, use an extension cord suitable for outdoor use. *Use of a cord suitable for outdoor use reduces the risk of electric shock.*
- f) If operating a power tool in a damp location is unavoidable, use a residual current device (RCD) protected supply. *Use of an RCD reduces the risk of electric shock.*

3. Personal safety

- a) Stay alert, watch what you are doing and use common sense when operating a power tool. Do not use a power tool while you are tired or under the influence of drugs, alcohol or medication. *A moment of inattention while operating power tools may result in serious personal injury.*
- b) Use personal protective equipment. Always wear eye protection. *Protective equipment such as dust mask, non-skid safety shoes, hard hat, or hearing protection used for appropriate conditions will reduce personal injuries.*
- c) Prevent unintentional starting. Ensure the switch is in the off-position before connecting to power source and/or battery pack, picking up or carrying the tool. *Carrying power tools with your finger on the switch or energising power tools that have the switch on invites accidents.*
- d) Remove any adjusting key or wrench before turning the power tool on. *A wrench or a key left attached to a rotating part of the power tool may result in personal injury.*
- e) Do not overreach. Keep proper footing and balance at all times. *This enables better control of the power tool in unexpected situations.*
- f) Dress properly. Do not wear loose clothing or jewellery. Keep your hair and clothing away from moving parts. *Loose clothes, jewellery or long hair can be caught in moving parts.*
- g) If devices are provided for the connection of dust extraction and collection facilities, ensure these are connected and properly used. *Use of dust collection can reduce dust-related hazards.*
- h) Do not let familiarity gained from frequent use of tools allow you to become

CORDLESS JIG SAW

- EN** complacent and ignore tool safety principles. *A careless action can cause severe injury within a fraction of a second.*
4. Power tool use and care
 - a) Do not force the power tool. Use the correct power tool for your application. *The correct power tool will do the job better and safer at the rate for which it was designed.*
 - b) Do not use the power tool if the switch does not turn it on and off. *Any power tool that cannot be controlled with the switch is dangerous and must be repaired.*
 - c) Disconnect the plug from the power source and/or remove the battery pack, if detachable, from the power tool before making any adjustments, changing accessories, or storing power tools. *Such preventive safety measures reduce the risk of starting the power tool accidentally.*
 - d) Store idle power tools out of the reach of children and do not allow persons unfamiliar with the power tool or these instructions to operate the power tool. *Power tools are dangerous in the hands of untrained users.*
 - e) Maintain power tools and accessories. Check for misalignment or binding of moving parts, breakage of parts and any other condition that may affect the power tool's operation. If damaged, have the power tool repaired before use. *Many accidents are caused by poorly maintained power tools.*
 - f) Keep cutting tools sharp and clean. *Properly maintained cutting tools with sharp cutting edges are less likely to bind and are easier to control.*
 - g) Use the power tool, accessories and tool bits etc. in accordance with these instructions, taking into account the working conditions and the work to be performed. *Use of the power tool for operations different from those intended could result in a hazardous situation.*
 - h) Keep handles and grasping surfaces dry, clean and free from oil and grease. *Slippery handles and grasping surfaces do not allow for safe handling and control of the tool in unexpected situations.*
 5. Battery tool use and care
 - a) Recharge only with the charger specified by the manufacturer. *A charger that is suitable for one type of battery pack may create a risk of fire when used with another battery pack.*
 - b) Use power tools only with specifically designated battery packs. *Use of any other battery packs may create a risk of injury and fire.*
 - c) When battery pack is not in use, keep it away from other metal objects, like paper clips, coins, keys, nails, screws or other small metal objects, that can make a connection from one terminal to another. *Shorting the battery terminals together may cause burns or a fire.*
 - d) Under abusive conditions, liquid may be ejected from the battery; avoid contact. If contact accidentally occurs, flush with water. If liquid contacts eyes, additionally seek medical help. *Liquid ejected from the battery may cause irritation or burns.*
 - e) Do not use a battery pack or tool that is damaged or modified. *Damaged or modified batteries may exhibit unpredictable behaviour resulting in fire, explosion or risk of injury.*
 - f) Do not expose a battery pack or tool to fire or excessive temperature. *Exposure to fire or temperature above 130 °C may cause explosion.*
 - g) Follow all charging instructions and do not charge the battery pack or tool outside the temperature range specified in the instructions. *Charging improperly or at temperatures outside the specified range may damage the battery and increase the risk of fire.*
 6. Service
 - a) Have your power tool serviced by a qualified repair person using only identical replacement parts. *This will ensure that the safety of the power tool is maintained.*
 - b) Never service damaged battery packs. *Service of battery packs should only be performed by the manufacturer or authorized service providers.*

JIG SAW SAFETY WARNINGS

1. Hold jig saw by insulated gripping surfaces, when performing an operation where the cutting accessory may contact hidden wiring. *Cutting accessory contacting a "live" wire may make exposed metal parts of the power tool "live" and could give the operator an electric shock.*
2. Use clamps or another practical way to secure and support the workpiece to a stable platform. *Holding the work by hand or against your body leaves it unstable and may lead to loss of control.*

SYMBOLS



To reduce the risk of injury, user must read instruction manual



Warning



Wear ear protection



Wear eye protection



Wear dust mask



Waste electrical products must not be disposed of with household waste. Please recycle where facilities exist.



Check with your local authorities or retailer for recycling advice.



RCM marking

ABN: Australian Business Number. By this number, business information such as entity type, status, business location etc. can be found at website <http://abr.business.gov.au>.

ABN of Positec Australia Pty Limited is 14 101 682 357


CORDLESS JIG SAW**COMPONENT LIST**

1. LOCK-OFF BUTTON
2. ON/OFF SWITCH
3. BATTERY PACK RELEASE BUTTON *
4. BATTERY CAPACITY INDICATOR *
5. BATTERY PACK *
6. DUST ADAPTER
7. BASE PLATE ADJUSTMENT LEVER
8. PENDULUM ACTION CONTROL KNOB
9. BASE PLATE
10. ROLLER GUIDE
11. PARALLEL GUIDE
12. SAW BLADE
13. PARALLEL GUIDE LOCK KNOB
14. TOOL-FREE BLADE HOLDER
15. FINGER PROTECTION
16. TOOL-FREE BLADE HOLDER LEVER
17. LED LIGHT

* Not all the accessories illustrated or described are included in standard delivery.

TECHNICAL DATA

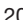

Type JS20X-26 (20X-26-designation of machinery, representative of jig saw)



Rated voltage	18V  (20V Max.)	
No load speed	0-3500 /min	
Stroke length	26mm	
Bevel capacity	±45°	
Max cutting depth	Wood	120mm
	Steel	10mm
Machine weight (without battery)	2.12kg	

SUITABLE BATTERY PACKS

Item number	BI20-2	BI20-4
Battery capacity	2.0Ah	4.0Ah
	Not included	Not included

SUITABLE CHARGERS

Item number	C20-2	C20-4
Charger input	100-240V~50/60Hz, 55W	100-240V~50/60Hz, 95W
Charger output	20V  2.0A	20V  4.0A

Charging time (approx.)	1hr (2.0 Ah) 2hrs (4.0 Ah)	30mins (2.0 Ah) 60mins (4.0 Ah)
Charger protection class	 /II	 /II
	Not included	Not included


NOISE INFORMATION

A weighted sound pressure	L_{pA} : 85dB (A)
A weighted sound power	L_{wA} : 93dB (A)
K_{pA} & K_{wA}	5.0dB (A)
Wear ear protection.	

VIBRATION INFORMATION

Vibration total values (triax vector sum) determined according to EN 62841:	
Cutting boards	Vibration emission value: $a_{h,B} = 6.83 \text{ m/s}^2$
	Uncertainty $K = 1.5 \text{ m/s}^2$
Cutting steel metal	Vibration emission value: $a_{h,M} = 6.49 \text{ m/s}^2$
	Uncertainty $K = 1.5 \text{ m/s}^2$

The declared vibration total value and the declared noise emission value have been measured in accordance with a standard test method and may be used for comparing one tool with another. The declared vibration total value and the declared noise emission value may also be used in a preliminary assessment of exposure.

 **WARNING!** The vibration and noise emissions during actual use of the power tool can differ from the declared value depending on the ways in which the tool is used especially what kind of workpiece is processed dependant on the following examples and other variations on how the tool is used:

How the tool is used and the materials being cut or drilled.


The tool being in good condition and well maintained.

The use of the correct accessory for the tool and ensuring it is sharp and in good condition.

The tightness of the grip on the handles and if any anti vibration and noise accessories are used.

And the tool is being used as intended by its design and these instructions.

This tool may cause hand-arm vibration syndrome if its use is not adequately managed.

 **WARNING!** To be accurate, an estimation of exposure level in the actual conditions of use should also take account of all parts of the operating cycle such as the times when the tool is switched off and when it is running idle but not actually doing the job. This may significantly reduce the exposure level over the total working period.

Helping to minimise your vibration and noise exposure risk.

Always use sharp chisels, drills and blades.

Maintain this tool in accordance with these instructions and keep well lubricated (where appropriate).

If the tool is to be used regularly then invest in anti vibration and noise accessories.

Plan your work schedule to spread any high vibration tool use across a number of days.

CORDLESS JIG SAW

ACCESSORIES

Wood cutting blade	1
Dust adapter	
Base cover	1
Parallel guide	1

We recommend that you purchase your accessories from the same store that sold you the tool. Refer to the accessory packaging for further details. Store personnel can assist you and offer advice.

OPERATING INSTRUCTIONS



NOTE: Before using the tool, read the instruction book carefully.

INTENDED USE

The machine is intended for sawing wood, plastic, metal and building materials while resting firmly on the workpiece. It is suitable for straight and curved cuts. The saw blade recommendations are to be observed.

BEFORE PUTTING INTO OPERATION

1. TO REMOVE & INSTALL THE BATTERY PACK (NOT SUPPLIED) (SEE FIG A1, A2)

To remove the battery pack, depress the battery pack release button firmly first, then slide the battery pack out from your tool.

To install the battery pack, slide the fully charged battery pack onto the tool with sufficient force until it clicks into position.

2. BLADE FITTING

NOTE: Remove the battery pack from the jig saw before carrying out any adjustment, servicing or maintenance. Wear protective gloves when assembling the saw blade.

- Inserting the saw blade (See Fig. B1)

To open the blade holder, rotate the blade release latch clockwise (jig saw upside down) and hold in position. Then fully insert the blade into the blade holder slot with blade teeth facing forward and release the blade release latch, which will self rotate and clamp over the top of the blade. Push the blade into the blade holder again to ensure it is locked in position. Ensure the edge of the blade is located in the groove of the roller guide.

- Removing the saw blade (See Fig. B2)

To remove a blade, hold the blade and rotate the blade release latch clockwise then lift out the blade (blade could be spring ejected).



WARNING! Blade teeth are very sharp.

For best cutting results ensure you use a blade suited to the material and cut quality you need.



WARNING! The newly used saw blade is very hot, please pay attention to let it cool or wear protective gloves.

3. MOUNTING THE PARALLEL GUIDE (SEE FIG. C)

Screw the parallel guide lock knob counterclockwise to enlarge the holes where the parallel guide arm is inserted. Then slide the parallel guide arm through both holes and tighten the lock knob clockwise to achieve the required cutting distance.

NOTE: You can mount the parallel guide from both sides as shown in Fig. C.

4. INSTALLING THE DUST ADAPTER (SEE FIG. D)

Mount the dust adapter tube into the opening of the base plate. Make sure that the plastic tip of the dust adapter engages into the corresponding opening on the housing.

5. PENDULUM ACTION CONTROL (SEE FIG. E)

The pendulum action varies the forward cutting angle of the blade for increased cutting efficiency. This can also be adjusted during no load running. Refer to the chart below for more details. Do not use excessive blade force when cutting with the pendulum action. The blade cuts on the upward stroke only.

0	Thin materials. Fine cuts. Tight curves.
1	Hard materials, (e.g. steel & chipboard)
2	Thick materials (e.g. wood) & plastic
3	Fast cuts (e.g. softwood). Cutting in the direction of the wood grain.

6. SAFETY ON/OFF SWITCH (SEE FIG. F)

To lock the on/off switch, place the lock-off button in the center position. This helps to reduce the possibility of accidental starting when not in use.

Depress the lock-off button to left or right then on/off switch and release the lock-off button. Your switch is now on. To switch off, just release the on/off switch.

NOTE: LED light will illuminate the working zone automatically when the product is switched on.



WARNING! Do not look directly into LED light!

- Variable speed control

The on/off switch is also a variable speed controlled trigger switch. The speed can be adjusted from the minimum to maximum by the pressure you apply to the on/off switch. Apply more pressure to increase the speed and release pressure to decrease speed.

7. STRAIGHT CUT AND CURVE CUT (SEE FIG. G1, G2)

The jig saw can cut in a straight line or cut according to the curve you want.

8. BASE PLATE ANGLE ADJUSTMENT (SEE FIG. H1-H3)

NOTE: Remove the dust adapter before adjusting the base plate.

NOTE: Rotate the base plate to the desired position according to the scale. Ensure the blade is engaged between the blade positioning wheel.

To adjust the base plate angle, rotate the base plate adjustment lever forward to unlock the base plate. Push the base plate forward slightly, so the lines of the angle on the base plate and angle plate superposition at the desired angle (0°, 15°, 30°, 45°). Pull back the base plate

to tighten it. For other miter angles, rotate to your desired angle (use a protractor scale). Then rotate the base plate adjustment switch backward to lock the base plate at that angle. Finally, check the angle and ensure the base plate is firmly clamped.

NOTE: The angle markings on the base plate are accurate for most general purposes but it is recommended for accurate work to set the angle with a protractor and make a test cut on other material.

9. FINGER PROTECTION

The finger protection is located in front of the blade holder. Whilst working, it will help prevent accidental contact with moving blade.

WORKING HINTS FOR YOUR JIG SAW

If your jig saw becomes too hot, especially when used at low speed, set the speed to maximum and run no load for 2-3 minutes to cool the motor.

Avoid prolonged usage at very low speeds.

GENERAL

Always use a blade suited to the material and material thickness to be cut. Always ensure the workpiece is firmly held or clamped to prevent movement. For easier control, use low speed to start cutting, then increase to correct speed. Any movement of the material may affect the quality of the cut.

The blade cuts on the upward stroke and may chip the uppermost surface or face of the workpiece.

Ensure your uppermost surface is a nonvisible surface when your work is finished.

CUTTING LAMINATES

Use a fine tooth blade when cutting most laminates and thin wood materials. To reduce edge chipping, clamp pieces of waste wood at both ends on both sides and cut through the waste wood during cutting.

CIRCLE CUTTING

Do not use the pendulum action when cutting tight circles or angles.

CORDLESS JIG SAW

EN

PLUNGE SAWING (SEE FIG. I1, I2)

Plunge cutting may be used only on soft materials such as wood, aerated concrete, gypsum plaster boards, etc.

Use only short saw blades. Place the front edge of the base plate on the workpiece and switch on. Press the machine firmly against the workpiece and plunge the saw blade slowly into the workpiece.

As soon as the complete surface of the base plate rests on the work piece, continue to saw along the cutting line.

METAL CUTTING

Use a finer tooth blade for ferrous metals and a coarse tooth blade for non-ferrous metals.

When cutting thin sheet metals always clamp wood on both sides of the sheet to reduce vibration or tearing of the sheet metal. Both wood and sheet metal must be cut. Do not force the cutting blade when cutting thin metal or sheet steel as they are harder materials and will take longer to cut. Excessive blade force may reduce the life of the blade or damage the motor. To reduce heat during metal cutting, add a little lubricant along the cutting line.

MAINTENANCE

Remove the battery before carrying out any adjustment, servicing or maintenance.

There are no user serviceable parts in your power tool. Never use water or chemical cleaners to clean your power tool. Wipe clean with a dry cloth. Always store your power tool in a dry place. Keep the motor ventilation slots clean. Keep all working controls free of dust. Occasionally you may see sparks through the ventilation slots. This is normal and will not damage your power tool.

For battery tools

The ambient temperature range for the use and storage of tool and battery is 0 °C-45 °C.

The recommended ambient temperature range for the charging system during charging is 0 °C-40 °C.

ENVIRONMENTAL PROTECTION



Waste electrical products must not be disposed of with household waste.

■ Please recycle where facilities exist.

Check with your local authorities or retailer for recycling advice.

EC Declaration of Conformity

EN



We: **HYUNDAI Corporation Holdings Europe**
Am Kronberger Hang 2A, 65824, Schwalbach am Taunus
Germany

Declare that the product detailed below :
Cordless jig saw

MODEL : JS20X-26
FUNCTION : Sawing various materials

Satisfies the requirements of the Council Directives :
2006/42/EC, 2014/30/EU
2011/65/EU & (EU)2015/863

Standards Conform to:
EN 62841-1, EN 62841-2-11,
EN IEC 55014-1, EN IEC 55014-2,
EN IEC 63000

The person authorized to compile the technical file,
Name : **Hyundae Kim**
Address : **HYUNDAI Corporation Holdings Europe**
65824 Schwalbach am Taunus, Germany

General Manager

Jaiwon Hur

Project Manager

Sungwoo Hong

Date : 2024.09.25

AKKU-STICHSÄGE

ORIGINALBETRIEBSANLEITUNG PRODUKTSICHERHEIT ALLGEMEINE SICHERHEITSHINWEISE FÜR ELEKTROWERKZEUGE



WARNUNG! Machen Sie sich mit allen Sicherheitswarnungen, Anweisungen, Abbildungen und Spezifikationen vertraut, die mit diesem Elektrowerkzeug geliefert werden. *Die Nichtbeachtung der unten aufgeführten Anweisungen kann in elektrischen Schlägen, Feuer und/oder schweren Verletzungen resultieren.*

Bewahren Sie alle Sicherheitshinweise und Anweisungen für die Zukunft auf.

Der in den Sicherheitshinweisen verwendete Begriff „Elektrowerkzeug“ bezieht sich auf akkubetriebene Elektrowerkzeuge (ohne Netzkabel).

1. Arbeitsplatzsicherheit

- a) Halten Sie Ihren Arbeitsbereich sauber und gut beleuchtet. *Unordnung oder unbeleuchtete Arbeitsbereiche können zu Unfällen führen.*
- b) Arbeiten Sie mit dem Elektrowerkzeug nicht in explosionsgefährdeter Umgebung, in der sich brennbare Flüssigkeiten, Gase oder Stäube befinden. *Elektrowerkzeuge erzeugen Funken, die den Staub oder die Dämpfe entzünden können.*
- c) Halten Sie Kinder und andere Personen während der Benutzung des Elektrowerkzeugs fern. *Bei Ablenkung können Sie die Kontrolle über das Gerät verlieren.*

2) Elektrische Sicherheit

- a) Der Anschlussstecker des Elektrowerkzeuges muss in die Steckdose passen. Der Stecker darf in keiner Weise verändert werden. Verwenden Sie keine Adapterstecker gemeinsam mit schutzgeerdeten Elektrowerkzeugen.

Unveränderte Stecker und passende Steckdosen verringern das Risiko eines elektrischen Schlages.

- b) Vermeiden Sie Körperkontakt mit geerdeten Oberflächen wie von Rohren, Heizungen, Herden und Kühlschränken. *Es besteht ein erhöhtes Risiko durch elektrischen Schlag, wenn Ihr Körper geerdet ist.*
 - c) Halten Sie Elektrowerkzeuge von Regen oder Nässe fern. *Das Eindringen von Wasser in ein Elektrowerkzeug erhöht das Risiko eines elektrischen Schlages.*
 - d) Zweckentfremden Sie das Kabel nicht, um das Elektrowerkzeug zu tragen, aufzuhängen oder um den Stecker aus der Steckdose zu ziehen. Halten Sie das Kabel fern von Hitze, Öl, scharfen Kanten oder sich bewegenden Geräteteilen. *Beschädigte oder verwickelte Kabel erhöhen das Risiko eines elektrischen Schlages.*
 - e) Wenn Sie mit einem Elektrowerkzeug im Freien arbeiten, verwenden Sie nur Verlängerungskabel, die auch für den Außenbereich geeignet sind. *Die Anwendung eines für den Außenbereich geeigneten Verlängerungskabels verringert das Risiko eines elektrischen Schlages.*
 - f) Wenn der Betrieb des Elektrowerkzeuges in feuchter Umgebung nicht vermeidbar ist, verwenden Sie einen Fehlerstromschutzschalter. *Der Einsatz eines Fehlerstromschutzschalters vermindert das Risiko eines elektrischen Schlages.*
- ### 3) Sicherheit von Personen
- a) Seien Sie aufmerksam, Achten Sie darauf, was Sie tun, und gehen Sie mit Vernunft an die Arbeit mit einem Elektrowerkzeug. Benutzen Sie kein Elektrowerkzeug, wenn Sie müde sind oder unter dem Einfluss von Drogen, Alkohol oder Medikamenten stehen. *Ein Moment der Unachtsamkeit beim Gebrauch des Elektrowerkzeuges kann zu ernsthaften Verletzungen führen.*
 - b) Tragen Sie persönliche Schutzausrüstung und immer eine Schutzbrille. *Das Tragen persönlicher Schutzausrüstung, wie Staubmaske, rutschfeste Sicherheitsschuhe, Schutzhelm oder Gehörschutz, je nach*

- Art und Einsatz des Elektrowerkzeuges, verringert das Risiko von Verletzungen.*
- c) **Vermeiden Sie eine unbeabsichtigte Inbetriebnahme.** Vergewissern Sie sich, dass das Elektrowerkzeug ausgeschaltet ist, bevor Sie es an den Akku anschließen, es aufnehmen oder tragen. *Wenn Sie beim Tragen des Elektrowerkzeuges den Finger am Schalter haben oder das Gerät eingeschaltet an die Stromversorgung anschließen, kann dies zu Unfällen führen.*
- d) **Entfernen Sie Einstellwerkzeuge oder Schraubenschlüssel,** bevor Sie das Elektrowerkzeug einschalten. *Ein Werkzeug oder Schlüssel, der sich in einem drehenden Geräteteil befindet, kann zu Verletzungen führen.*
- e) **Vermeiden Sie eine abnormale Körperhaltung.** Sorgen Sie für einen sicheren Stand und halten Sie jederzeit das Gleichgewicht. *Dadurch können Sie das Elektrowerkzeug in unerwarteten Situationen besser kontrollieren.*
- f) **Tragen Sie geeignete Kleidung.** Tragen Sie keine weite Kleidung oder Schmuck. Halten Sie Haare und Kleidung fern von sich bewegenden Teilen. *Lockere Kleidung, Schmuck oder lange Haare können von sich bewegenden Teilen erfasst werden.*
- g) **Wenn Staubabsaug- und -auffangeinrichtungen montiert werden können,** vergewissern Sie sich, dass diese angeschlossen sind und richtig verwendet werden. *Verwendung einer Staubabsaugung kann Gefährdungen durch Staub verringern.*
- h) **Vermeiden Sie,** durch die häufige Nutzung des Werkzeugs in einen Trott zu verfallen und Prinzipien für die Werkzeugsicherheit zu ignorieren. *Eine unachtsame Aktion kann im Bruchteil einer Sekunde zu schweren Verletzungen führen.*
- 4) **Verwendung und Behandlung des Elektrowerkzeuges**
- a) **Überlasten Sie das Gerät nicht.** Verwenden Sie für Ihre Arbeit das dafür bestimmte Elektrowerkzeug. *Mit dem passenden Elektrowerkzeug arbeiten Sie besser und sicherer im angegebenen Leistungsbereich.*
- b) **Benutzen Sie kein Elektrowerkzeug,** dessen Schalter defekt ist. *Ein Elektrowerkzeug, das sich nicht mehr ein- oder ausschalten lässt, ist gefährlich und muss repariert werden.*
- c) **Klemmen Sie den Stecker von der Stromversorgung ab und/oder entfernen Sie den Akku (falls abnehmbar)** aus dem Elektrowerkzeug, bevor Sie Geräteeinstellungen vornehmen, Zubehörteile wechseln oder das Gerät weglegen. *Diese Vorsichtsmaßnahme verhindert den unbeabsichtigten Start des Elektrowerkzeuges.*
- d) **Bewahren Sie unbenutzte Elektrowerkzeuge** außerhalb der Reichweite von Kindern auf. Lassen Sie Personen das Gerät nicht benutzen, die mit diesem nicht vertraut sind oder diese Anweisungen nicht gelesen haben. *Elektrowerkzeuge sind gefährlich, wenn Sie von unerfahrenen Personen benutzt werden.*
- e) **Warten Sie die Elektrowerkzeuge und Zubehör.** Kontrollieren Sie, ob bewegliche Teile einwandfrei funktionieren und nicht klemmen, ob Teile gebrochen oder so beschädigt sind, dass die Funktion des Elektrowerkzeuges beeinträchtigt ist. Lassen Sie beschädigte Teile vor dem Einsatz des Gerätes reparieren. *Viele Unfälle haben ihre Ursache in schlecht gewarteten Elektrowerkzeugen.*
- f) **Halten Sie Schneidwerkzeuge scharf und sauber.** *Sorgfältig gepflegte Schneidwerkzeuge mit scharfen Schneidkanten verklemmen sich weniger und sind leichter zu führen.*
- g) **Verwenden Sie Elektrowerkzeug, Zubehör, Einsatzwerkzeuge usw. entsprechend diesen Anweisungen.** Berücksichtigen Sie dabei die Arbeitsbedingungen und die auszuführende Tätigkeit. *Der Gebrauch von Elektrowerkzeugen für andere als die vorgesehenen Anwendungen kann zu gefährlichen Situationen führen.*
- h) **Halten Sie die Griffe trocken, sauber und frei von Öl und Fett.** *Rutschige Griffe und Oberflächen unterbinden die sichere Bedienbarkeit und Kontrolle über das Werkzeug in unerwarteten Situationen.*

AKKU-STICHSÄGE

- 5) Verwendung und Behandlung des Akkuwerkzeugs
- a) Laden Sie die Akkus nur in Ladegeräten auf, die vom Hersteller empfohlen werden. Für ein Ladegerät, das für eine bestimmte Art von Akkus geeignet ist, besteht Brandgefahr, wenn es mit anderen Akkus verwendet wird.
- b) Verwenden Sie nur die dafür vorgesehenen Akkus in den Elektrowerkzeugen. Der Gebrauch von anderen Akkus kann zu Verletzungen und Brandgefahr führen.
- c) Halten Sie den nicht benutzten Akku fern von Büroklammern, Münzen, Schlüsseln, Nägeln, Schrauben oder anderen kleinen Metallgegenständen, die eine Überbrückung der Kontakte verursachen könnten. Ein Kurzschluss zwischen den Akkukontakten kann Verbrennungen oder Feuer zur Folge haben.
- d) Bei falscher Anwendung kann Flüssigkeit aus dem Akku austreten. Vermeiden Sie den Kontakt damit. Bei zufälligem Kontakt mit Wasser abspülen. Wenn die Flüssigkeit in die Augen kommt, nehmen Sie zusätzlich ärztliche Hilfe in Anspruch. Austretende Akkufflüssigkeit kann zu Hautreizungen oder Verbrennungen führen.
- e) Verwenden Sie kein Akkupack oder Werkzeug, das beschädigt ist. Beschädigte oder modifizierte Akkus können unvorhersehbare Reaktionen auslösen und zu Bränden, Explosionen oder Verletzungen führen.
- f) Setzen Sie das Akkupack oder Werkzeug keinem Feuer oder übermäßig hohen Temperaturen aus. Die Belastung durch Feuer oder Temperaturen über 130 °C kann zur Explosion führen.
- g) Befolgen Sie alle Ladeanweisungen, und laden Sie das Akkupack oder Werkzeug nicht außerhalb des in den Anweisungen festgelegten Temperaturbereichs auf. Ein unsachgemäßer Ladevorgang oder Temperaturen außerhalb des festgelegten Bereichs können den Akku schädigen und die Brandgefahr erhöhen.
- 6) Service
- a) Lassen Sie Ihr Elektrowerkzeug nur von qualifiziertem Fachpersonal und nur mit Original-Ersatzteilen reparieren. Damit

wird sichergestellt, dass die Sicherheit des Gerätes erhalten bleibt.

- b) Führen Sie niemals Wartungsarbeiten an beschädigten Akkus durch. Die Wartung von Akkupacks darf nur vom Hersteller selbst oder autorisierten Dienstleistern durchgeführt werden.

SICHERHEITSHINWEISE FÜR STICHSÄGEN

- Halten Sie das Gerät an den isolierten Griffflächen, wenn Sie Arbeiten ausführen, bei denen das Einsatzwerkzeug verborgene Stromleitungen erfassen kann. Metallteile am Werkzeug, die mit stromführenden Drähten in Berührung kommen, werden selbst stromführend und können der Bedienperson einen elektrischen Schlag versetzen.
- Sichern Sie das Werkstück zum Beispiel mit Einspannvorrichtungen auf einer stabilen Plattform. Das Werkstück ist instabil, wenn es mit der Hand oder dem Körper abgestützt wird, was zum Verlust der Kontrolle führen kann.

SYMBOLE



Zur Reduzierung der Verletzungsgefahr bitte die Bedienungsanleitung durchlesen



Warnung



Tragen Sie eine Schutzbrille



Tragen Sie einen Gehörschutz



Tragen Sie eine Staubmaske



Elektroprodukte dürfen nicht mit dem normalen Haushaltsmüll entsorgt werden, sondern sollten nach Möglichkeit zu einer Recyclingstelle gebracht werden. Ihre zuständigen Behörden oder Ihr Fachhändler geben Ihnen hierzu gerne Auskunft.


KOMPONENTENLISTE

1. SPERRTASTE
2. EIN/AUS-SCHALTER
3. BATTERIEPACKS-FREIGABETASTE *
4. BATTERIEKAPAZITÄTSANZEIGE *
5. BATTERIEPACK *
6. STAUBADAPTER
7. GRUNDPLATTENVERSTELLEHEBEL
8. PENDELAKTIONSKONTROLLE
9. GRUNDPLATTE
10. ROLLENFÜHRUNG
11. PARALLELFÜHRUNG
12. SÄGEBLATT
13. PARALLELSCHIENENVERRIEGELUNGSKNOPF
14. WERKZEUGFREIER KLINGENHALTER
15. FINGERSCHUTZ
16. WERKZEUGFREIER KLINGENHALTER
17. LED-LICHT

* Nicht alle abgebildeten oder beschriebenen Zubehörteile sind in der Standardlieferung enthalten.

TECHNISCHE DATEN

Typ JS20X-26 (20X-26-Bezeichnung der Maschine, stellvertretend für Akku-Stichsäge)

Spannung		18V  (20V Max.)
Leerlaufdrehzahl		0-3500 /min
Hublänge		26mm
Abschrägungskapazität		±45°
Schneidleistung	Holz	120mm
	Stahl	10mm
Maschinengewicht (ohne Batterie)		2.12kg



GEEIGNETE AKKUPACKS

Artikelnummer	BI20-2	BI20-4
Batteriekapazität	2.0Ah	4.0Ah
	Nicht enthalten	Nicht enthalten

GEEIGNETE LADEGERÄTE

Artikelnummer	C20-2	C20-4
Ladegerät-Eingang	100-240V~50/60Hz, 55W	100-240V~50/60Hz, 95W

AKKU-STICHSÄGE

Ladegerät-Ausgang	20V $\overline{\text{---}}$ 2.0A	20V $\overline{\text{---}}$ 4.0A
Ladezeit (ungefähr)	1hr (2.0 Ah) 2hrs (4.0 Ah)	30mins (2.0 Ah) 60mins (4.0 Ah)
Ladeschutzklasse	 /II	 /II
	Nicht enthalten	Nicht enthalten

INFORMATIONEN ÜBER LÄRM


Gewichteter Schalldruck	L_{pA} : 85dB (A)
Gewichtete Schalleistung	L_{wA} : 93dB (A)
K_{pA} & K_{wA}	5.0dB (A)
Tragen Sie einen Gehörschutz.	

VIBRATIONSMITTELMERMESSUNGEN

Vibrations Gesamt Messwertermittlung gemäß EN 62841:	
Holz schneiden	Vibrationsemissionswert: $a_{h,B} = 6.83 \text{ m/s}^2$
	Unsicherheit $K = 1.5 \text{ m/s}^2$
Metallblech schneiden	Vibrationsemissionswert: $a_{h,M} = 6.49 \text{ m/s}^2$
	Unsicherheit $K = 1.5 \text{ m/s}^2$

Der angegebene Vibrationsgesamtwert kann und der angegebene Vibrationsemissionswert wurden gemäß Standardprüfverfahren gemessen und können zum Vergleichen eines Werkzeug mit einem anderen verwendet werden.

Der angegebene Vibrationsgesamtwert und der angegebene Vibrationsemissionswert können auch für eine anfängliche Beurteilung der Beeinträchtigung verwendet werden.

 **WARNUNG!** Die Vibrations- und Lärmemissionen bei der eigentlichen Nutzung des Elektrowerkzeugs können vom angegebenen Wert abweichen, je nachdem, wie das Werkzeug verwendet wird und insbesondere abhängig davon, welcher Werkstücktyp verarbeitet wird, und abhängig von folgenden Beispielen und verschiedenen Einsatzmöglichkeiten des Werkzeugs: Wie das Werkzeug verwendet wird und Materialien geschnitten oder angebohrt werden.


Das Werkzeug ist in gutem Zustand und gut gepflegt.

Verwendung des richtigen Zubehörs für das Werkzeug und Gewährleistung seiner Schärfe und seines guten Zustands.

Die Festigkeit des Griffs auf den Handgriffen und, falls Antivibrations- und Lärmschutzzubehör verwendet wird.

Und ob das verwendete Werkzeug dem Design und diesen Anweisungen entsprechend verwendet wird.

Wird dieses Werkzeug nicht angemessen gehandhabt, kann es ein Hand-Arm-Vibrationssyndrom erzeugen.

 **WARNUNG!** Um genau zu sein, sollte eine Abschätzung des Belastungsgrades aller Arbeitsabschnitte während tatsächlicher Verwendung berücksichtigt werden, z.B. die Zeiten, wenn das Werkzeug ausgeschaltet ist, und wenn es sich im Leerlauf befindet und eigentlich nicht eingesetzt wird. Auf diese Weise kann der Belastungsgrad während der gesamten Arbeitszeit wesentlich gemindert werden.

Hilft dabei, das Risiko der Vibrations- und Lärmbelastung zu minimieren.

Verwenden Sie IMMER scharfe Meissel, Bohrer und Sägeblätter.

Pflegen Sie dieses Werkzeug diesen Anweisungen entsprechend und achten Sie auf eine gute Einfettung (wo erforderlich).

Falls das Werkzeug regelmäßig verwendet werden soll, investieren Sie in Antivibrations- und Lärmschutzzubehör.

Machen Sie einen Arbeitsplan, um die Verwendung von hochvibrierenden Werkzeugen auf mehrere Tage zu verteilen.

DE

ZUBEHÖR

Holzschneidmesser	1
Staubadapter	
Grundabdeckung	1
Parallelführung	1

Wir empfehlen, dass Sie Ihr Zubehör in dem Geschäft kaufen, in dem Sie das Werkzeug verkauft haben. Weitere Einzelheiten finden Sie in der Verpackung des Zubehörs. Das Ladenpersonal kann Ihnen behilflich sein und Ratschläge geben.

AKKU-STICHSÄGE

BETRIEBSANLEITUNG



HINWEIS: Bitte lesen Sie die Bedienungsanleitung sorgfältig durch, bevor Sie das Werkzeug verwenden.

VERWENDUNGSZWECK

Die Maschine wird zum Sägen von Holz, Kunststoff, Metall und Baumaterialien verwendet, während sie fest am Werkstück befestigt ist. Es ist für gerade und gebogene Schnitte geeignet. Die Empfehlungen des Sägeblattes müssen befolgt werden.

VOR DER INBETRIEBNAHME

1. ENTFERNEN ODER INSTALLIEREN DES BATTERIEPACKS (NICHT ENTHALTEN) (SIEHE ABB. A1, A2)

Um den Akkupack zu entfernen, drücken Sie zuerst fest auf die Akkupack-Freigabetaste und schieben Sie dann den Akkupack aus Ihrem Werkzeug heraus.

Um den Akkupack zu installieren, schieben Sie den vollständig geladenen Akkupack mit ausreichender Kraft auf das Werkzeug, bis er hörbar einrastet.

2. EINBAU DER SÄGEKLINGE

HINWEIS: Entfernen Sie den Batteriepack aus der Stichsäge, bevor Sie Einstellungen, Wartungen oder Reparaturen vornehmen. Tragen Sie beim Zusammenbau des Sägeblattes Schutzhandschuhe.

- Einsetzen des Sägeblattes (Siehe abb. B1)

Um den Blatthalter zu öffnen, drehen Sie den Blattfreigabeknopf im Uhrzeigersinn (Stichsäge auf dem Kopf stehend) und halten Sie ihn in Position. Führen Sie dann das Sägeblatt vollständig in den Blatthalter ein, wobei die Sägezähne nach vorne zeigen, und lassen Sie den Blattfreigabeknopf los, der sich selbständig dreht und über die Oberseite des Sägeblattes klemmt. Drücken Sie das Sägeblatt erneut in den Blatthalter, um sicherzustellen, dass es fest sitzt. Stellen Sie sicher, dass die Kante des Sägeblattes in der Nut des Rollenführung liegt.

- Entfernen des Sägeblattes (Siehe abb. B2)

Um ein Sägeblatt zu entfernen, halten Sie das

Blatt fest und drehen Sie den Blattfreigabeknopf im Uhrzeigersinn, dann heben Sie das Blatt heraus (das Blatt könnte federbelastet sein).



WARNUNG! Die Klingenzähne sind sehr scharf. Um die besten Schnittergebnisse zu erzielen, verwenden Sie bitte eine Klinge, die für das Material und die Schnittqualität geeignet ist, die Sie benötigen.



WARNUNG! Das neu verwendete Sägeblatt ist sehr heiß, bitte achten Sie darauf, es abkühlen zu lassen oder Schutzhandschuhe zu tragen.

3. MONTAGE DER PARALLELFÜHRUNG (SIEHE ABB. C)

Drehen Sie den Parallelschienenverriegelungsknopf gegen den Uhrzeigersinn, um die Löcher zu vergrößern, in die der Parallelschienenarm eingeführt wird. Schieben Sie dann den Parallelschienenarm durch beide Löcher und ziehen Sie den Verriegelungsknopf im Uhrzeigersinn an, um den erforderlichen Schneidabstand zu erreichen.

HINWEIS: Sie können die Parallelschienenführung von beiden Seiten montieren, wie in Abb. C gezeigt.

4. INSTALLIEREN DES STAUBADAPTERS (SIEHE ABB. D)

Befestigen Sie das Staubadapterrohr in der Öffnung der Grundplatte. Stellen Sie sicher, dass die Kunststoffspitze des Staubadapters in die entsprechende Öffnung am Gehäuse eingreift.

5. PENDELAKTIONSKONTROLLE (SIEHE ABB. E)

Die Wirkung des Pendels ändert den Vorwärtsschnittwinkel der Klinge, um die Schneidleistung zu verbessern. Sie kann auch im Leerlauf eingestellt werden. Weitere Einzelheiten finden Sie in Tabelle Verwenden Sie beim Pendelschneiden keine übermäßige Klingenkraft. Die Klinge schneidet nur während des Aufwärtshubs.

0	Dünne Materialien. Feinschnitte. Enge Kurven.
1	Harte Materialien (z. B. Stahl und Spanplatten)

2	Dicke Materialien (z. B. Holz) und Kunststoff
3	Schnelle Schnitte (z. B. Nadelholz). Schneiden in Richtung der Maserung des Holzes.

6. EIN/AUS-SICHERHEITSSCHALTER (SIEHE ABB. F)

Um den Ein/Aus-Schalter zu verriegeln, platzieren Sie die Sperrtaste in der Mittelstellung. Dies hilft, die Möglichkeit eines unbeabsichtigten Starts bei Nichtgebrauch zu reduzieren.

Drücken Sie die Sperrtaste nach links oder rechts, dann den Ein/Aus-Schalter, und lassen Sie die Sperrtaste los. Ihr Schalter ist jetzt eingeschaltet. Zum Ausschalten lassen Sie einfach den Ein/Aus-Schalter los.

HINWEIS: Die LED-Leuchte beleuchtet automatisch den Arbeitsbereich, wenn das Produkt eingeschaltet ist.



WARNUNG! Schauen Sie nicht direkt in die LED-Leuchte!

- Geschwindigkeitsregelung

Der Ein/Aus-Schalter ist auch ein variables Geschwindigkeitsregelungstrigger. Die Geschwindigkeit kann von minimal bis maximal durch den Druck, den Sie auf den Ein/Aus-Schalter ausüben, eingestellt werden. Üben Sie mehr Druck aus, um die Geschwindigkeit zu erhöhen, und lassen Sie den Druck los, um die Geschwindigkeit zu verringern.

7. GERADER SCHNITT UND KURVENSCHNITT (SIEHE ABB. G1, G2)

Die Stichsäge kann in gerader Linie schneiden oder entsprechend der gewünschten Kurve schneiden.

8. EINSTELLUNG DES WINKELS DER GRUNDPLATTE (SIEHE ABB. H1-H3)

HINWEIS: Entfernen Sie den Staubadapter, bevor Sie die Grundplatte einstellen.

HINWEIS: Drehen Sie die Grundplatte in die gewünschte Position gemäß der Skala. Stellen Sie sicher, dass das Blatt zwischen dem Blattpositionierungsrad eingreift.

Um den Winkel der Grundplatte einzustellen,

drehen Sie den Grundplattenverstellehebel nach vorne, um die Grundplatte zu entriegeln. Drücken Sie die Grundplatte leicht nach vorne, so dass die Linien des Winkels auf der Grundplatte und der Winkelplatte im gewünschten Winkel (0°, 15°, 30°, 45°) übereinander liegen. Ziehen Sie die Grundplatte zurück, um sie festzuziehen. Für andere Gehrungswinkel drehen Sie den Winkel auf Ihren gewünschten Winkel (verwenden Sie eine Winkelskala). Drehen Sie dann den Grundplattenverstellungsschalter nach hinten, um die Grundplatte in diesem Winkel zu verriegeln. Überprüfen Sie abschließend den Winkel und stellen Sie sicher, dass die Grundplatte fest geklemmt ist.

HINWEIS: Die Winkelmarkierungen auf der Grundplatte sind für die meisten allgemeinen Zwecke genau, aber für genaue Arbeiten wird empfohlen, den Winkel mit einem Winkelmesser einzustellen und einen Test auf anderen Materialien durchzuführen.

9. FINGERSCHUTZ

Der Fingerschutz befindet sich vor dem Klingenhalter. Während der Arbeit wird verhindert, dass versehentlich bewegliche Klingen berührt werden.

ARBEITSHINWEISE FÜR IHRE STICHSÄGE

Wenn Ihr Elektrowerkzeug überhitzt, insbesondere bei niedriger Geschwindigkeit, stellen Sie die Geschwindigkeit auf Maximum und lassen Sie es 2-3 Minuten im Leerlauf, um den Motor abzukühlen. Vermeiden Sie einen längeren Gebrauch bei sehr niedrigen Geschwindigkeiten.

ALLGEMEINES

Verwenden Sie immer eine Klinge, die für das zu schneidende Material und die zu schneidende Materialstärke geeignet sind. Stellen Sie immer sicher, dass das Werkstück fest sitzt oder festgeklemmt ist, um eine Bewegung zu verhindern. Beginnen Sie zur einfacheren Kontrolle mit dem Schneiden mit niedriger Geschwindigkeit und erhöhen Sie dann die richtige Geschwindigkeit.

AKKU-STICHSÄGE

Jede Bewegung des Materials kann die Schnittqualität beeinträchtigen. Die Klinge schneidet beim Aufwärtshub und kann die Oberseite oder Oberfläche des Werkstücks brechen.

Stellen Sie sicher, dass Ihre oberste Oberfläche nach Abschluss der Arbeit eine nicht sichtbare Oberfläche ist.

LAMINATE SCHNEIDEN

Verwenden Sie beim Schneiden von Laminat und Furniermaterialien feinverzahnte Klingen. Um das Abplatzen der Kanten zu verringern, klemmen Sie Altholz auf beiden Seiten fest und schneiden dieses während des Schneidvorgangs mit durch.

KREISSCHNEIDEN

Verwenden Sie die Pendelbewegung nicht, wenn Sie enge Kreise oder Winkel schneiden.

TAUCHSCHNEIDEN (SIEHE ABB. I1, I2)

Das Tauchschneiden kann nur auf Materialien wie Holz, Porenbeton, Gipskartonplatten und anderen weichen Materialien angewendet werden. Verwenden Sie nur kurze Sägeblätter. Legen Sie die Vorderkante des Untergrunds auf das Werkstück und öffnen Sie es. Drücken Sie die Maschine fest gegen das Werkstück und setzen Sie das Sägeblatt langsam in das Werkstück ein.

Sobald die gesamte Oberfläche auf dem Werkstück aufliegt, schneidet es weiter entlang der Schnittlinie.

METALLSCHNEIDEN

Verwenden Sie für Eisenmetalle feinere Verzahnungen und für Nichteisenmetalle gröbere Verzahnungen. Klemmen Sie beim Schneiden dünner Metallplatten das Holz immer auf beiden Seiten der Metallplatte fest, um Vibrationen oder Risse der Metallplatte zu vermeiden. Das Holz wird beim Schneidvorgang mit durchgeschnitten. Verwenden Sie beim Schneiden von dünnen Metallen oder dünnen Stahlplatten keine kräftigen Klingen, da diese härter sind und das Schneiden länger dauert. Übermäßige Blattkraft kann die Lebensdauer des Blatts verkürzen oder den

Motor beschädigen. Um die Hitze während des Metallschneidens zu reduzieren, geben Sie bitte eine kleine Menge Schmiermittel in die Schneidlinie.

WARTUNG

Entfernen Sie das Akkupack, bevor Sie Einstellungen, Service- oder Wartungsarbeiten daran durchführen.

Es gibt keine vom Anwender zu wartenden Teile in diesem Elektrowerkzeug. Reinigen Sie Ihr Werkzeug niemals mit Wasser oder chemischen Lösungsmitteln. Wischen Sie es mit einem trockenen Tuch sauber. Lagern Sie Ihr Werkzeug immer an einem trockenen Platz. Sorgen Sie dafür, dass bei staubigen Arbeiten die Lüftungsöffnungen frei sind. Halten Sie alle Bedienelemente staubfrei. Gelegentlich sind durch die Lüftungsschlitze hindurch Funken zu sehen. Dies ist normal und wird Ihr Werkzeug nicht beschädigen.

Bei Akkuwerkzeugen

Der Umgebungstemperaturbereich für die Nutzung und Lagerung von Werkzeug und Akku liegt zwischen 0°C und 45°C.

Der empfohlene Umgebungstemperaturbereich für die Ladestation liegt zwischen 0°C und 40°C.

UMWELTSCHUTZ



Elektroprodukte dürfen nicht mit dem normalen Haushaltsmüll entsorgt werden, sondern sollten nach Möglichkeit zu einer Recyclingstelle gebracht werden. Ihre zuständigen Behörden oder Ihr Fachhändler geben Ihnen hierzu gerne Auskunft.

EC

Konformitätserklärung

DE

CE

Wir :

HYUNDAI Corporation Holdings Europe
Am Kronberger Hang 2A, 65824, Schwalbach am Taunus
Germany

Erklären, dass das unten aufgeführte Produkt :
Akku-Stichsäge

MODELL : JS20X-26

FUNKTION : Sägen/schneiden verschiedener Materialien

Erfüllt die Anforderungen der Richtlinien des Rates :
2006/42/EC, 2014/30/EU
2011/65/EU & (EU)2015/863

Standards entsprechen der :
EN 62841-1, EN 62841-2-11,
EN IEC 55014-1, EN IEC 55014-2,
EN IEC 63000

Die für die Zusammenstellung der technischen Unterlagen befugte Person,
Name : **Hyundae Kim**
Adresse : **HYUNDAI Corporation Holdings Europe**
65824 Schwalbach am Taunus, Germany

Geschäftsführer



Jaiwon Hur

Projektleiter




Sungwoo Hong

Datum : 2024.09.25

SCIE SAUTEUSE SANS FIL

NOTICE ORIGINALE SÉCURITÉ DU PRODUIT AVERTISSEMENTS DE SÉCURITÉ GÉNÉRAUX POUR L'OUTIL

 **AVERTISSEMENT!** Lire l'ensemble des mises en garde, instructions, illustrations et spécifications fourni avec cet outil électrique. *Ne pas suivre toutes les instructions énumérées ci-dessous peut conduire à une électrocution, un incendie et / ou des blessures graves.*

Conserver tous les avertissements et toutes les instructions pour pouvoir s'y reporter ultérieurement.

Le terme «outil» dans les avertissements fait référence à votre outil électrique alimenté par le secteur (avec cordon d'alimentation) ou votre outil fonctionnant sur batterie (sans cordon d'alimentation).

1. Sécurité de la zone de travail

- Conservé la zone de travail propre et bien éclairée. *Les zones en désordre ou sombres sont propices aux accidents.*
- Ne pas faire fonctionner les outils électriques en atmosphère explosive, par exemple en présence de liquides inflammables, de gaz ou de poussières. *Les outils électriques produisent des étincelles qui peuvent enflammer les poussières ou les fumées.*
- Maintenir les enfants et les personnes présentes à l'écart pendant l'utilisation de l'outil. *Les distractions peuvent vous faire perdre le contrôle de l'outil.*

2. Sécurité électrique

- Il faut que les fiches de l'outil électrique soient adaptées au socle. Ne jamais modifier la fiche de quelque façon que ce soit. Ne pas utiliser d'adaptateurs avec des outils à branchement de terre. *Des fiches non modifiées et des socles adaptés réduiront le risque de choc électrique.*
- Éviter tout contact du corps avec des surfaces reliées à la terre telles que les

tuyaux, les radiateurs, les cuisinières et les réfrigérateurs. *Il existe un risque accru de choc électrique si votre corps est relié à la terre.*

- Ne pas exposer les outils à la pluie ou à des conditions humides. *La pénétration d'eau à l'intérieur d'un outil augmentera le risque de choc électrique.*
 - Ne pas maltraiter le cordon. Ne jamais utiliser le cordon pour porter, tirer ou débrancher l'outil. Maintenir le cordon à l'écart de la chaleur, du lubrifiant, des arêtes ou des parties en mouvement. *Des cordons endommagés ou emmêlés augmentent le risque de choc électrique.*
 - Lorsqu'on utilise un outil à l'extérieur, utiliser un prolongateur adapté à l'utilisation extérieure. *L'utilisation d'un cordon adapté à l'utilisation extérieure réduit le risque de choc électrique.*
 - Si l'usage d'un outil dans un emplacement humide est inévitable, utiliser une alimentation protégée par un dispositif à courant différentiel résiduel (DDR). *L'usage d'un DDR réduit le risque de choc électrique.*
- ### 3. Sécurité des personnes
- Restez vigilant, regardez ce que vous êtes en train de faire et faites preuve de bon sens dans votre utilisation de l'outil. Ne pas utiliser un outil lorsque vous êtes fatigué ou sous l'emprise de drogues, d'alcool ou de médicaments. *Un moment d'inattention en cours d'utilisation d'un outil peut entraîner des blessures graves des personnes.*
 - Utiliser un équipement de sécurité. Toujours porter une protection pour les yeux. *Les équipements de sécurité tels que les masques contre les poussières, les chaussures de sécurité antidérapantes, les casques ou les protections acoustiques utilisés pour les conditions appropriées réduiront les blessures de personnes.*
 - Éviter tout démarrage intempestif. S'assurer que l'interrupteur est en position arrêt avant de brancher l'outil au secteur et/ou au bloc de batteries, de le ramasser ou de le porter. *Porter les outils en ayant le doigt sur l'interrupteur ou brancher des outils dont l'interrupteur est en position marche est*

source d'accidents.

- d) Retirer toute clé de réglage avant de mettre l'outil en marche. *Une clé laissée fixée sur une partie tournante de l'outil peut donner lieu à des blessures de personnes.*
 - e) Ne pas se précipiter. Garder une position et un équilibre adaptés à tout moment. *Cela permet un meilleur contrôle de l'outil dans des situations inattendues.*
 - f) S'habiller de manière adaptée. Ne pas porter de vêtements amples ou de bijoux. Garder les cheveux, les vêtements et les gants à distance des parties en mouvement. *Des vêtements amples, des bijoux ou les cheveux longs peuvent être pris dans des parties en mouvement.*
 - g) Si des dispositifs sont fournis pour le raccordement d'équipements pour l'extraction et la récupération des poussières, s'assurer qu'ils sont connectés et correctement utilisés. *Utiliser des collecteurs de poussière peut réduire les risques dus aux poussières.*
 - h) Ne pas laisser les habitudes acquises au cours d'une utilisation fréquente des outils nous rendre complaisants et ignorer les principes de sécurité de l'outil. *Une action imprudente peut entraîner des blessures graves en une fraction de seconde.*
- 4) Utilisation et entretien de l'outil
- a) Ne pas forcer l'outil. Utiliser l'outil adapté à votre application. *L'outil adapté réalisera mieux le travail et de manière plus sûre au régime pour lequel il a été construit.*
 - b) Ne pas utiliser l'outil si l'interrupteur ne permet pas de passer de l'état de marche à arrêt et vice versa. *Tout outil qui ne peut pas être commandé par l'interrupteur est dangereux et il faut le réparer.*
 - c) Débrancher la prise de la source d'alimentation et / ou retirer la batterie, si elle est amovible, de l'outil, avant tout réglage, changement d'accessoires ou avant de ranger l'outil. *De telles mesures de sécurité préventives réduisent le risque de démarrage accidentel de l'outil.*
 - d) Conserver les outils à l'arrêt hors de la portée des enfants et ne pas permettre à des personnes ne connaissant pas l'outil ou les

présentes instructions de le faire fonctionner. *Les outils sont dangereux entre les mains d'utilisateurs novices.*

- e) Entretien des outils et accessoires électriques. Vérifier qu'il n'y a pas de mauvais alignement ou de blocage des parties mobiles, des pièces cassées ou toute autre condition pouvant affecter le fonctionnement de l'outil. En cas de dommages, faire réparer l'outil avant de l'utiliser. *De nombreux accidents sont dus à des outils mal entretenus.*
 - f) Garder affûtés et propres les outils permettant de couper. *Des outils destinés à couper correctement entretenus avec des pièces coupantes tranchantes sont moins susceptibles de bloquer et sont plus faciles à contrôler.*
 - g) Utiliser l'outil, les accessoires et les lames etc., conformément à ces instructions, en tenant compte des conditions de travail et du travail à réaliser. *L'utilisation de l'outil pour des opérations différentes de celles prévues pourrait donner lieu à des situations dangereuses.*
 - h) Maintenir les poignées et les surfaces de préhension sèches, propres et exemptes d'huile et de graisse. *Des poignées et surfaces de préhension glissantes ne permettent pas une manipulation et un contrôle de l'outil en toute sécurité en cas d'imprévu.*
- 5) Utilisation des outils fonctionnant sur batteries et précautions d'emploi
- a) Ne recharger qu'avec le chargeur spécifié par le fabricant. *Un chargeur qui est adapté à un type de bloc de batteries peut entraîner un risque d'incendie lorsqu'il est utilisé avec un autre type de bloc de batteries.*
 - b) N'utiliser les outils qu'avec des blocs de batteries spécifiquement désignés. *L'utilisation de tout autre bloc de batteries peut entraîner un risque de blessure et d'incendie.*
 - c) Lorsqu'un bloc de batteries n'est pas utilisé, le maintenir à l'écart de tout autre objet métallique, par exemple trombones, pièces de monnaie, clés, clous, vis ou autres objets de petite taille qui peuvent donner lieu à

SCIE SAUTEUSE SANS FIL

une connexion d'une borne à une autre. *Le court-circuitage des bornes d'une batterie entre elles peut causer des brûlures ou un incendie.*

- d) Dans de mauvaises conditions, du liquide peut être éjecté de la batterie; éviter tout contact. En cas de contact accidentel, nettoyer à l'eau. Si le liquide entre en contact avec les yeux, rechercher en plus une aide médicale. *Le liquide éjecté des batteries peut causer des irritations ou des brûlures.*
- e) N'utilisez pas de batterie ou d'outil endommagé ou modifié. *Des batteries endommagées ou modifiées peuvent se comporter de façon imprévisible et causer un incendie, une explosion ou un risque de blessure.*
- f) N'exposez pas une batterie ou un outil à un incendie ou à une température excessive. *L'exposition à un incendie ou une température supérieure à 130 °C peut causer une explosion.*
- g) Suivez toutes les instructions de charge et ne rechargez pas la batterie ou l'outil en dehors de la plage de température spécifiée dans les instructions. *Recharger la batterie de façon inappropriée ou en dehors de la plage de température spécifiée peut l'endommager et augmente le risque d'incendie.*
- 6) Maintenance et entretien
- a) Faire entretenir l'outil par un réparateur qualifié utilisant uniquement des pièces de rechange identiques. *Cela assurera le maintien de la sécurité de l'outil.*
- b) Ne révisiez jamais de batteries endommagées. *La révision de batteries doit uniquement être effectuée par le fabricant ou les prestataires de service autorisés.*

AVERTISSEMENTS DE SÉCURITÉ POUR SCIE SABRE

1. Tenir l'outil par les zones de prises isolées lors d'une utilisation où l'outil tranchant pourrait entrer en contact avec des fils cachés. *L'accessoire de coupe, s'il entre en contact avec un fil "sous tension", peut mettre les parties métalliques exposées de l'outil "sous tension" et électrocuter l'opérateur.*
2. Utiliser des pinces ou tout autre moyen pratique pour fixer et soutenir la pièce sur une plate-forme stable. *Tenir la pièce à la main ou contre le corps la rend instable et peut conduire à une perte de contrôle.*

SYMBOLES



Pour réduire le risque de blessure, l'utilisateur doit lire le mode d'emploi.



Avertissement



Porter une protection pour les yeux



Porter une protection pour les oreilles



Porter un masque contre la poussière



Les déchets d'équipements électriques et électroniques ne doivent pas être déposés avec les ordures ménagères. Ils doivent être collectés pour être recyclés dans des centres spécialisés. Consultez les autorités locales ou votre revendeur pour obtenir des renseignements sur l'organisation de la collecte.


LISTE DES COMPOSANTS

1. BOUTON DE VERROUILLAGE
2. BOUTON ON / OFF
3. BOUTON DE LIBÉRATION DE LA BATTERIE *
4. INDICATEUR DE CAPACITÉ DE LA BATTERIE *
5. BATTERIE *
6. ADAPTATEUR DE POUSSIÈRE
7. LEVIER DE RÉGLAGE DE LA PLAQUE DE BASE
8. CONTRÔLE D'ACTION PENDULE
9. PLAQUE DE BASE
10. GUIDE DE ROULEAU
11. GUIDE PARALLÈLE
12. LAME DE SCIE
13. BOUTON DE VERROUILLAGE DU GUIDE PARALLÈLE
14. PORTE-LAME SANS OUTIL
15. OUTIL DE PROTECTION DES DOIGTS
16. LEVIER DE PORTE-LAME SANS OUTIL
17. VOYANT LED

* Tous les accessoires illustrés ou décrits ne sont pas inclus dans la livraison standard.

DONNÉES TECHNIQUES

Type JS20X-26 (20X-26-désignation des machines, représentative de la scie sauteuse)

Tension		18V  (20V Max.)
Vitesse sans chargement		0-3500 /min
Longueur de course		26mm
Capacité de biseau		±45°
Capacité de coupe	Bois	120mm
	Acier	10mm
Poids de la machine (sans batterie)		2.12kg

PACKS DE BATTERIE ADAPTÉS

Numéro d'article	BI20-2	BI20-4
Capacité de la batterie	2.0Ah	4.0Ah
	Non inclus	Non inclus

SCIE SAUTEUSE SANS FIL

CHARGEURS ADAPTÉS

Numéro d'article	C20-2	C20-4
Entrée chargeur	100-240V~50/60Hz, 55W	100-240V~50/60Hz, 95W
Sortie chargeur	20V $\overline{=}$ 2.0A	20V $\overline{=}$ 4.0A
Temps de charge (environ)	1hr (2.0 Ah) 2hrs (4.0 Ah)	30mins (2.0 Ah) 60mins (4.0 Ah)
Classe de protection du chargeur	\square /II	\square /II
	Non inclus	Non inclus

INFORMATIONS RELATIVES AU BRUIT

Niveau de pression acoustique	L_{pA} : 85dB (A)
Niveau de puissance acoustique	L_{wA} : 93dB (A)
K_{pA} & K_{wA}	5.0dB (A)
Porter une protection pour les oreilles.	

INFORMATIONS RELATIVES AUX VIBRATIONS

Valeurs totales de vibration (somme du vecteur triaxial) déterminées selon la norme EN 62841:	
Découpe d'un panneau	Valeur d'émission de vibrations: $a_{h,B} = 6.83 \text{ m/s}^2$
	Incertitude K = 1.5 m/s^2
Découpe de tôle	Valeur d'émission de vibrations: $a_{h,M} = 6.49 \text{ m/s}^2$
	Incertitude K = 1.5 m/s^2

La valeur totale de vibration déclarée et la valeur d'émission de bruit déclarée ont été mesurées conformément à la méthode d'essai standard et peuvent être utilisées pour comparer un outil à un autre.

La valeur totale de vibration déclarée et la valeur d'émission de bruit déclarée peuvent également être utilisées lors d'une évaluation préliminaire de l'exposition.

⚠ AVERTISSEMENT! les vibrations et les émissions de bruit au cours de l'utilisation réelle de l'outil électrique peuvent varier de la valeur déclarée en fonction du mode d'utilisation de l'outil, en particulier du type de pièce traité selon les exemples suivants et d'autres variations concernant le mode d'utilisation de l'outil:

Comment l'outil est utilisé et quels matériaux sont coupés ou percés.

L'outil est en bon état et bien entretenu.

L'utilisation du bon accessoire pour l'outil et l'assurance qu'il est affûté et en bon état.

La force avec laquelle vous serrez les poignées et l'utilisation éventuelle d'un quelconque accessoire anti-bruit et anti-vibration.

Et l'outil est utilisé comme prévu dans sa conception et dans les présentes instructions.

Cet outil peut causer un syndrome de vibration du bras et de la main s'il n'est pas correctement géré.

⚠ AVERTISSEMENT! Pour être précise, une évaluation du niveau d'exposition en conditions réelles d'utilisation doit également tenir compte de toutes les parties du cycle d'utilisation

telles que les moments où l'outil est éteint, et ceux où il fonctionne au ralenti mais ne réalise pas réellement de tâche. Ceci peut réduire de façon significative le niveau d'exposition et la période de fonctionnement totale.

Facteurs contribuant à minimiser votre risque d'exposition aux vibrations et au bruit.

Utilisez TOUJOURS des ciseaux, des forets et des lames affûtés.

Entretenez cet outil en accord avec les présentes instructions et maintenez-le lubrifié (si approprié).

Si l'outil doit être fréquemment utilisé, investissez dans des accessoires anti-bruit et anti-vibration.

Planifiez votre travail pour étaler toute utilisation d'outil à fortes vibrations sur plusieurs jours.

ACCESSORIES

FR

Lame de coupe pour du bois	1
Adaptateur de poussière	
Couvercle de base	1
Guide parallèle	1

Nous vous recommandons d'acheter vos accessoires dans le même magasin qui vous a vendu l'outil. Reportez-vous à l'emballage des accessoires pour plus de détails. Le personnel du magasin peut vous aider et vous conseiller.

SCIE SAUTEUSE SANS FIL

INSTRUCTIONS D'UTILISATION



REMARQUE: Avant d'utiliser l'outil, lisez attentivement le manuel d'utilisation.

UTILISATION PRÉVUE

La machine est conçue pour scier du bois, du plastique, du métal et des matériaux de construction tout en reposant fermement sur la pièce. Il est adapté pour des coupes droites et courbes. Les recommandations concernant la lame de scie doivent être respectées.

AVANT LA MISE EN SERVICE

1. POUR RETIRER OU INSTALLER LA BATTERIE (NON INCLUS) (VOIR FIG. A1, A2)

Pour retirer le pack batterie, appuyez d'abord fermement sur le bouton de libération du pack batterie, puis faites glisser le pack batterie hors de votre outil.

Pour installer le pack batterie, faites glisser le pack batterie entièrement chargé sur l'outil avec une force suffisante jusqu'à ce qu'il s'enclenche en position.

2. MONTAGE DE LA LAME DE SCIE

REMARQUE: Retirez le bloc-batterie de la scie sauteuse avant d'effectuer tout réglage, entretien ou maintenance. Portez des gants de protection lors du montage de la lame de scie.

- Insertion de la lame de scie (Voir Fig. B1)

Pour ouvrir le porte-lame, tournez le loquet de libération de lame dans le sens des aiguilles d'une montre (scie sauteuse à l'envers) et maintenez-le en position. Ensuite, insérez entièrement la lame dans la fente du porte-lame avec les dents de la lame orientées vers l'avant et relâchez le loquet de libération de lame, qui tournera automatiquement et se fixera sur le dessus de la lame. Poussez à nouveau la lame dans le porte-lame pour vous assurer qu'elle est verrouillée en position. Assurez-vous que le bord de la lame est situé dans la rainure du guide à rouleaux.

- Retrait de la lame de scie (Voir Fig. B2)

Pour retirer une lame, maintenez la lame et

tournez le loquet de libération de lame dans le sens des aiguilles d'une montre, puis soulevez la lame (la lame pourrait être éjectée par ressort).



AVERTISSEMENT! Les dents de la lame sont très coupantes. Pour de meilleurs résultats de coupe, assurez-vous d'utiliser une lame adaptée au matériau et à la qualité de coupe dont vous avez besoin.



AVERTISSEMENT! La lame de scie récemment utilisée est très chaude, veuillez faire attention à la laisser refroidir ou à porter des gants de protection.

3. MONTAGE DU GUIDE PARALLÈLE (VOIR FIG. C)

Dévissez le bouton de verrouillage du guide parallèle dans le sens inverse des aiguilles d'une montre pour agrandir les trous où le bras du guide parallèle est inséré. Ensuite, faites glisser le bras du guide parallèle à travers les deux trous et serrez le bouton de verrouillage dans le sens des aiguilles d'une montre pour obtenir la distance de coupe requise.

REMARQUE: Vous pouvez monter le guide parallèle des deux côtés comme indiqué dans la Fig. C.

4. INSTALLATION DE L'ADAPTATEUR DE POUSSIÈRE (VOIR FIG. D)

Montez le tube de l'adaptateur de poussière dans l'ouverture de la plaque de base. Assurez-vous que la pointe en plastique de l'adaptateur de poussière s'engage dans l'ouverture correspondante sur le boîtier.

5. PENDULUM ACTION CONTROL (VOIR FIG. E)

L'action du pendule fait varier l'angle de coupe vers l'avant de la lame pour une plus grande efficacité de coupe. Cela peut également être ajusté pendant le fonctionnement sans charge. Reportez-vous à l'emballage des accessoires pour plus de détails. Reportez-vous au tableau pour plus de détails. La lame ne coupe que vers le haut.

0	Matériaux minces. Coupes fines. Courbes serrées.
---	--

1	Matériaux durs (par exemple acier et panneaux de particules)
2	Matériaux épais (par exemple bois et plastique)
3	Coupes rapides (par exemple bois tendre). Coupe dans le sens du grain du bois.

6. INTERRUPTEUR MARCHÉ / ARRÊT SÉCURISÉ (VOIR FIG. F)

Pour verrouiller l'interrupteur marche/arrêt, placez le bouton de verrouillage au centre. Cela aide à réduire la possibilité de démarrage accidentel lorsqu'il n'est pas utilisé. Appuyez sur le bouton de verrouillage vers la gauche ou la droite, puis sur l'interrupteur marche/arrêt et relâchez le bouton de verrouillage. Votre interrupteur est maintenant allumé. Pour l'éteindre, relâchez simplement l'interrupteur marche/arrêt.

REMARQUE: La lumière LED illuminera automatiquement la zone de travail lorsque le produit est allumé.

 **AVERTISSEMENT!** Ne regardez pas directement dans la lumière LED !

- Contrôle de vitesse variable

L'interrupteur marche/arrêt est également un interrupteur de déclenchement à vitesse variable. La vitesse peut être ajustée de minimum à maximum par la pression que vous appliquez sur l'interrupteur marche/arrêt. Appliquez plus de pression pour augmenter la vitesse et relâchez la pression pour diminuer la vitesse.

7. COUPE DROITE ET COUPE COURBE (VOIR FIG. G1, G2)

La scie sauteuse peut couper en ligne droite ou selon la courbe que vous souhaitez.

8. RÉGLAGE DE L'ANGLE DE LA PLAQUE DE BASE (VOIR FIG. H1-H3)

REMARQUE: Retirez l'adaptateur de poussière avant de régler la plaque de base.

REMARQUE: Tournez la plaque de base à la position désirée selon l'échelle. Assurez-vous que la lame est engagée entre la roue de

positionnement de la lame.

Pour ajuster l'angle de la plaque de base, tournez le levier de réglage de la plaque de base vers l'avant pour déverrouiller la plaque de base. Poussez légèrement la plaque de base vers l'avant, de sorte que les lignes de l'angle sur la plaque de base et la plaque d'angle se superposent à l'angle souhaité (0°, 15°, 30°, 45°). Ramenez la plaque de base en arrière pour la serrer. Pour d'autres angles de chanfrein, tournez jusqu'à l'angle souhaité (utilisez une échelle de rapporteur). Ensuite, tournez le commutateur de réglage de la plaque de base vers l'arrière pour verrouiller la plaque de base à cet angle. Enfin, vérifiez l'angle et assurez-vous que la plaque de base est fermement serrée.

REMARQUE: Les marques d'angle sur la plaque de base sont précises pour la plupart des usages généraux, mais il est recommandé pour un travail précis de régler l'angle avec un rapporteur et de faire un test de coupe sur un autre matériau.

9. PROTECTION DES DOIGTS

La protection des doigts est située devant le porte-lame. Pendant le travail, cela aidera à éviter tout contact accidentel avec la lame en mouvement.

CONSEILS DE FONCTIONNEMENT POUR VOTRE SCIE SAUTEUSE

Si votre scie sauteuse devient trop chaude, en particulier lorsqu'elle est utilisée à faible vitesse, réglez la vitesse au maximum et ne faites fonctionner sans charge pendant 2-3 minutes pour refroidir le moteur. Évitez une utilisation prolongée à très faible vitesse.

GÉNÉRAL

Utilisez toujours une lame adaptée au matériau et à l'épaisseur du matériau à couper. Assurez-vous toujours que la pièce à travailler est fermement maintenue ou serrée pour empêcher tout mouvement. Pour un contrôle plus facile, utilisez la vitesse lente pour commencer la

SCIE SAUTEUSE SANS FIL

coupe, puis augmentez pour atteindre la vitesse correcte.

Tout mouvement du matériau peut affecter la qualité de la coupe. La lame coupe sur la course ascendante et peut ébrécher la surface ou la face supérieure de la pièce.

Assurez-vous que votre surface supérieure est une surface non visible lorsque votre travail est terminé.

COUPE DES STRATIFIÉS

Utilisez une lame à dents fines lors de la coupe de la plupart des stratifiés et des matériaux en bois fins. Pour réduire l'écaillage des bords, serrez les morceaux de déchets de bois aux deux extrémités des deux côtés et coupez à travers les déchets de bois pendant la coupe.

COUPE DE CERCLE

N'utilisez pas l'action pendulaire lorsque vous coupez des cercles ou des angles serrés.

SCIAGE RAPIDE (VOIR FIG. 11, 12)

La sciage rapide ne peut être utilisée que sur des matériaux tendres tels que le bois, le béton cellulaire, les plaques de plâtre, etc.

Utilisez uniquement des lames de scie courtes.

Placer le bord du front de la plaque de base sur la pièce et mettre en marche. Appuyez fermement la machine contre la pièce et plongez lentement la lame de scie dans la pièce.

Dès que la surface complète de la plaque de base repose sur la pièce à travailler, continuez de scier le long de la ligne de coupe.

COUPE DE MÉTAL

Utilisez une lame à dents plus fines pour les métaux ferreux et une lame à dents grossières pour les métaux non ferreux. Lors de la coupe de tôles fines, serrez toujours le bois des deux côtés de la tôle pour réduire les vibrations ou le déchirement de la tôle. Le bois et la tôle doivent tous être coupés. Ne forcez pas la lame de coupe lors de la coupe de métal mince ou de tôle d'acier car ce sont des matériaux plus durs et leur coupe prendra plus de temps. Une force excessive de la lame peut réduire la durée de vie de la lame ou endommager le moteur.

Pour réduire la chaleur pendant la coupe du métal, ajoutez un peu de lubrifiant le long de la ligne de coupe.

ENTRETIEN

Retirer la batterie avant de procéder à un réglage, une réparation ou un entretien.


Il n'y a pas de pièces réparables par l'utilisateur dans cet outil. Ne jamais utiliser d'eau ou de nettoyeurs chimiques pour nettoyer l'outil. Nettoyer avec un chiffon sec. Toujours conserver l'outil motorisé dans un endroit sec. Maintenir les fentes de ventilation du moteur propres. Empêcher que les commandes de marche soient couvertes de poussière. Il est normal que des étincelles soient visibles dans les fentes de ventilation, cela n'endommagera pas l'outil motorisé.

POUR LES OUTILS À BATTERIE

La plage de température ambiante pour l'utilisation et le stockage de l'outil et de la batterie est de 0°C à 45°C.

La plage de température ambiante recommandée pour le système de recharge au cours de la charge est de 0°C à 40°C.

PROTECTION DE L'ENVIRONNEMENT

 Les déchets d'équipements électriques et électroniques ne doivent pas être déposés avec les ordures ménagères. Ils sont collectés pour être recyclés dans des centres spécialisés. Consultez les autorités locales ou votre revendeur pour obtenir des renseignements sur l'organisation de la collecte.

EC Déclaration de Conformité



FR

Nous : **HYUNDAI Corporation Holdings Europe**
Am Kronberger Hang 2A, 65824, Schwalbach am Taunus
Germany

Déclarons que le produit détaillé ci-dessous :
Scie sauteuse sans fil

MODÈLE : JS20X-26
FONCTION : Scier divers matériaux

Satisfait les exigences des directives du Conseil :
2006/42/EC, 2014/30/EU
2011/65/EU & (EU)2015/863

Les normes sont conformes à :
EN 62841-1, EN 62841-2-11,
EN IEC 55014-1, EN IEC 55014-2,
EN IEC 63000

La personne autorisée à constituer le dossier technique,
Nom : **Hyundae Kim**
Adresse : **HYUNDAI Corporation Holdings Europe**
65824 Schwalbach am Taunus, Germany

Directeur général

Jaiwon Hur

Chef de projet

Sungwoo Hong

Date : 2024.09.25

SEGHETTO ALTERNATIVO A BATTERIA

ISTRUZIONI ORIGINALI SICUREZZA DEL PRODOTTO AVVISI GENERALI PER LA SICUREZZA DEGLI UTENSILI A MOTORE



AVVERTENZA! Leggere tutte le avvertenze di sicurezza, le istruzioni, le illustrazioni e le specifiche fornite con questo elettro utensile. *La mancata osservanza delle istruzioni elencate di seguito potrebbe provocare una scossa elettrica, un incendio e/o lesioni gravi.*

Conservare tutti gli avvisi e le istruzioni per poterli consultare quando necessario.

Il termine «elettro utensile elettrico» utilizzato di seguito in questo manuale si riferisce a utensili elettrici alimentati dalla rete (con linea di allacciamento), oltre che ad utensili elettrici alimentati a batteria (senza linea di allacciamento).

1. Posto di lavoro

- a) **Mantenere pulito ed ordinato il posto di lavoro.** *Il disordine e le zone di lavoro non illuminate possono essere fonte di incidenti.*
- b) **Evitare d'impiegare l'utensile in ambienti soggetti al rischio di esplosioni nei quali si trovino liquidi, gas o polveri infiammabili.** *Gli utensili elettrici producono scintille che possono far infiammare la polvere o i gas.*
- c) **Mantenere lontani i bambini ed altre persone durante l'impiego dell'utensile elettrico.** *Eventuali distrazioni potranno comportare la perdita del controllo sull'utensile.*

2. Sicurezza elettrica

- a) **La spina per la presa di corrente dovrà essere adatta alla presa.** Evitare assolutamente di apportare modifiche alla spina. Non impiegare spine adattatrici assieme ad utensili con collegamento a terra. *Le spine non modificate e le prese adatte allo scopo riducono il rischio di scosse elettriche.*
- b) **Evitare il contatto fisico con superfici**

collegate a terra, come tubi, riscaldamenti, cucine elettriche e frigoriferi. *Sussiste un maggior rischio di scosse elettriche nel momento in cui il corpo è messo a massa.*

- c) **Custodire l'utensile al riparo dalla pioggia o dall'umidità.** *L'eventuale infiltrazione di acqua in un utensile elettrico va ad aumentare il rischio d'insorgenza di scosse elettriche.*
 - d) **Non usare il cavo per scopi diversi da quelli previsti al fine di trasportare o appendere l'apparecchio, oppure di togliere la spina dalla presa di corrente.** *Mantenere l'utensile al riparo da fonti di calore, dall'olio, dagli spigolio da parti di strumenti in movimento. I cavi danneggiati o aggrovigliati aumentano il rischio d'insorgenza di scosse elettriche.*
 - e) **Qualora si voglia usare l'utensile all'aperto, impiegare solo ed esclusivamente cavi di prolunga omologati per l'impiego all'esterno.** *L'uso di un cavo di prolunga omologato per l'impiego all'esterno riduce il rischio d'insorgenza di scosse elettriche.*
 - f) **Se si deve utilizzare l'utensile a motore in un luogo umido, utilizzare una fonte di alimentazione con protezione a corrente residua.** *L'uso di un dispositivo a corrente residua riduce il rischio di folgorazioni elettriche.*
- #### 3. SICUREZZA DELLE PERSONE
- a) **È importante concentrarsi su ciò che si sta facendo e a maneggiare con giudizio l'utensile elettrico durante le operazioni di lavoro.** *Non utilizzare l'utensile in caso di stanchezza o sotto l'effetto di droghe, bevande alcoliche e medicinali. Un attimo di distrazione durante l'uso dell'utensile potrà causare lesioni gravi.*
 - b) **Indossare sempre equipaggiamento protettivo individuale, nonché guanti protettivi.** *Se si avrà cura d'indossare equipaggiamento protettivo individuale come la maschera antipolvere, la calzatura antidrucciolevole di sicurezza, il casco protettivo o la protezione dell'udito, a seconda dell'impiego previsto per l'utensile elettrico, si potrà ridurre il rischio di ferite.*
 - c) **Evitare avviamenti involontari.** **Controllare**

- che l'interruttore sia nella posizione off prima di effettuare il collegamento a una sorgente di alimentazione/batteria, e prima di sollevare o trasportare l'utensile. *Il fatto di tenere il dito sopra all'interruttore o di collegare l'utensile acceso all'alimentazione di corrente potrà essere causa di incidenti.*
- d) Togliere gli attrezzi di regolazione o la chiave inglese prima di accendere l'utensile. *Un utensile o una chiave inglese che si trovino in una parte di strumento in rotazione potranno causare lesioni.*
- e) È importante non sopravvalutarsi. Avere curadi mettersi in posizione sicura e di mantenere l'equilibrio. *In tale maniera sarà possibile controllare meglio l'apparecchio in situazioni inaspettate.*
- f) Indossare vestiti adeguati. Evitare di indossare vestiti lenti o gioielli. Tenere i capelli, i vestiti ed i guanti lontani da pezzi in movimento. *Vestiti lenti, gioielli o capelli lunghi potranno impigliarsi in pezzi in movimento.*
- g) Se sussiste la possibilità di montare dispositivi di aspirazione o di captazione della polvere, assicurarsi che gli stessi siano stati installati correttamente e vengano utilizzati senza errori. *L'impiego dei suddetti dispositivi diminuisce il pericolo rappresentato dalla polvere.*
- h) Non lasciare che la familiarità acquisita con l'utilizzo frequente dell'elettrotensile si trasformi in autocompiacimento e trascuratezza dei principi di sicurezza. *Un'azione imprudente può causare lesioni gravi entro una frazione di secondo.*
- 4) Maneggio e impiego accurato di elettrotensili
- a) Non sovraccaricare l'elettrotensile. Impiegare l'elettrotensile adatto per eseguire il lavoro. *Utilizzando l'elettrotensile elettrico adatto si potrà lavorare meglio e con maggior sicurezza nell'ambito della gamma di potenza indicata.*
- b) Non utilizzare elettrotensili con interruttori difettosi. *Un elettrotensile che non si può più accendere o spegnere è pericoloso e dovrà essere riparato.*
- c) Staccare la spina dalla presa di corrente e/o rimuovere la batteria, se rimovibile, dall'elettrotensile prima di effettuare qualsiasi regolazione, sostituire gli accessori o riporre gli utensili elettrici. *Tale precauzione eviterà che la macchina possa essere messa in funzione inavvertitamente.*
- d) Custodire gli elettrotensili non utilizzati fuori della portata dei bambini. Non fare usare l'apparecchio a persone non abituate a farlo o che non abbiano letto le presenti istruzioni. *Gli elettrotensili sono pericolosi se utilizzati da persone inesperte.*
- e) Eseguire la manutenzione di elettrotensile e accessori. Verificare che le parti mobili dell'elettrotensile funzionino perfettamente e non s'incepino, che non ci siano pezzi rotti o danneggiati al punto tale da limitare la funzione della macchina stessa. Far riparare le parti danneggiate prima di utilizzare l'elettrotensile. *Numerosi incidenti vengono causati da elettrotensili la cui manutenzione è stata effettuata in modo poco accurato.*
- f) Mantenere affilati e puliti gli utensili da taglio. *Gli utensili da taglio curati con particolare attenzione e con taglienti affilati s'incepiscono meno di frequente e sono più facili da condurre.*
- g) Utilizzare elettrotensili, accessori, attrezzi, ecc. in conformità con le presenti istruzioni e secondo quanto previsto per questo tipo specifico di macchina. Osservare le condizioni di lavoro e il lavoro da eseguire durante l'impiego. *L'impiego di elettrotensili per usi diversi da quelli consentiti potrà dar luogo a situazioni di pericolo.*
- h) Mantenere le impugnature e le superfici di presa asciutte, pulite e prive di olio e grasso. *Le impugnature e le superfici di presa scivolose non permettono l'uso e il controllo sicuri dell'elettrotensile in situazioni impreviste.*
- 5) Maneggio e impiego accurato delle batterie
- a) Caricare la batteria solo ed esclusivamente con i dispositivi di carica consigliati dal produttore. *Per un dispositivo di carica previsto per un determinato tipo di batteria,*

SEGHETTO ALTERNATIVO A BATTERIA

sussiste pericolo di incendio, se utilizzato con una batteria di tipo diverso.

- b) Utilizzare negli elettroutensili elettrici solo ed esclusivamente le batterie previste per tale scopo. L'uso di batterie di tipo diverso potrebbe dare insorgenza a lesioni a persone e comportare il rischio d'incendi.
- c) Tenere la batteria non utilizzata lontano da graffette, monete, chiavi, chiodi, viti o altri oggetti in metallo di piccole dimensioni che potrebbero causare un ponte tra i contatti. Un eventuale cortocircuito tra i contatti della batteria può dare origine a bruciature o ad incendi.
- d) In caso di impiego sbagliato, possono verificarsi fuoriuscite di liquido dalla batteria. Evitarne il contatto. In caso di contatto casuale, sciacquare con acqua. Qualora il liquido dovesse entrare in contatto con gli occhi, chiedere immediato consiglio a un medico. Il liquido fuoriuscito dalla batteria può causare irritazioni cutanee o bruciature.
- e) Non utilizzare una batteria o un elettroutensile danneggiati o modificati. Le batterie danneggiate o modificate potrebbero manifestare un comportamento imprevedibile con la possibilità di causare un'esplosione o un incendio.
- f) Non esporre una batteria o un utensile al fuoco o a temperature elevate. L'esposizione al fuoco o a una temperatura superiore a 130°C potrebbe provocare un'esplosione.
- g) Seguire tutte le istruzioni per la carica e non caricare la batteria o l'elettroutensile a una temperatura che non rientri nell'intervallo di valori specificato nelle istruzioni. Una ricarica effettuata in maniera scorretta o a una temperatura che non rientra nell'intervallo di valori specificato, potrebbe danneggiare la batteria aumentando il rischio d'incendio.
- 6) Assistenza
- a) Fare riparare l'apparecchio esclusivamente da personale specializzato e solo impiegando pezzi di ricambio originali. In tal modo potrà essere salvaguardata la sicurezza dell'apparecchio.

- b) Non riparare le batterie danneggiate. Gli interventi di riparazione sulle batterie devono essere eseguiti dal costruttore o da fornitori di assistenza autorizzati.

AVVISI GENERALI PER LA SICUREZZA DEL SEGHETTO ALTERNATIVO

1. Afferrare lo strumento per le apposite maniglie quando si eseguono operazioni durante le quali l'attrezzo potrebbe entrare in contatto con cavi nascosti. L'accessorio di taglio può venire a contatto con un cavo alimentato e la corrente può passare attraverso le parti metalliche dell'utensile e esporre l'operatore al rischio di folgorazione.
2. Usare morse o altri metodi pratici per fissare e sostenere il pezzo in lavorazione su una piattaforma stabile. Tenere il pezzo in lavorazione con le mani o contro il corpo non ne assicura la stabilità e potrebbe comportare la perdita di controllo.

SIMBOLI



Per ridurre il rischio di lesioni, l'utente deve leggere il manuale di istruzioni



Avvertenza



Indossare protezione per le orecchie



Indossare protezione per gli occhi



Indossare una mascherina antipolvere



I prodotti elettrici non possono essere gettati tra i rifiuti domestici. L'apparecchio da rottamare deve essere portato al centro di riciclaggio per un corretto trattamento.

Controllare con le autorità locali o con il rivenditore per localizzare il centro di riciclaggio più vicino.


ELENCO DEI COMPONENTI

1. PULSANTE DI BLOCCO
2. INTERRUTTORE ACCESO/SPENTO
3. PULSANTE DI RILASCIO DEL PACCO BATTERIA *
4. INDICATORE DI CAPACITÀ DELLA BATTERIA *
5. PACCO BATTERIA *
6. ADATTATORE POLVERE
7. LEVA DI REGOLAZIONE DELLA PIASTRA BASE
8. CONTROLLO DELL'AZIONE DI PENDOLO
9. PIASTRA DI BASE
10. GUIDA AL RULLO
11. GUIDA PARALLELA
12. LAMA PER SEGA
13. POMELLO DI BLOCCO DELLA GUIDA PARALLELA
14. SUPPORTO DI LAME SENZA UTENSILI
15. UTENSILE DI PROTEZIONE DELLE DITA
16. LEVA DI SUPPORTO LAMA SENZA UTENSILI
17. LUCE DI LED

* Non tutti gli accessori illustrati o descritti sono inclusi nella consegna standard.

DATI TECNICI

Tipo JS20X-26 (20X-26-designazione del macchinario rappresentativo del Seghetto alternativo)

Voltaggio		18V  (20V Max.)
Velocità a vuoto		0-3500 /min
Lunghezza della corsa		26mm
Capacità di smusso		±45°
Capacità di taglio	Legno	120mm
	Acciaio	10mm
Peso della macchina (senza batteria)		2.12kg

PACCHI BATTERIA ADATTI

Numero di articolo	BI20-2	BI20-4
Capacità della batteria	2.0Ah	4.0Ah
	Non incluso	Non incluso

SEGHETTO ALTERNATIVO A BATTERIA

CARICABATTERIE ADATTI

Numero di articolo	C20-2	C20-4
Input di caricabatterie	100-240V~50/60Hz, 55W	100-240V~50/60Hz, 95W
Output di caricabatterie	20V $\overline{=}$ 2.0A	20V $\overline{=}$ 4.0A
Tempo di ricarica (approssimativo)	1hr (2.0 Ah) 2hrs (4.0 Ah)	30mins (2.0 Ah) 60mins (4.0 Ah)
Classe di protezione del caricabatterie	\square /II	\square /II
	Non incluso	Non incluso

INFORMAZIONI SUL RUMORE

Pressione sonora ponderata A	L_{pA} : 85dB (A)
Potenza sonora ponderata A	L_{wA} : 93dB (A)
K_{pA} & K_{wA}	5.0dB (A)
Indossare protezione per le orecchie.	

INFORMAZIONI SULLA VIBRAZIONE

I valori totali di vibrazione (somma vettoriale triassiale) sono determinati secondo lo standard EN 62841:	
Taglio tavole	Valore emissione vibrazioni: $a_{h,B} = 6.83 \text{ m/s}^2$
	Incertezza $K = 1.5 \text{ m/s}^2$
Taglio di lamiera	Valore emissione vibrazioni: $a_{h,M} = 6.49 \text{ m/s}^2$
	Incertezza $K = 1.5 \text{ m/s}^2$

Il valore totale di emissione di vibrazioni dichiarato e il valore di emissioni sonore dichiarati sono stati misurati in base a un metodo di collaudo standard e possono essere utilizzati per il confronto di un utensile con un altro.

Il valore totale di emissione di vibrazioni dichiarato e il valore di emissioni sonore dichiarato possono anche essere utilizzati in una valutazione preliminare dell'esposizione.

⚠ AVVERTENZA! le emissioni di vibrazioni e sonore durante l'uso effettivo dell'elettrotensile possono differire dal valore dichiarato in base alle modalità con cui esso viene utilizzato. In particolare quale tipo di pezzo viene lavorato dipende dai seguenti fattori e da altre variazioni sulle modalità di utilizzo dell'elettrotensile:

Come viene usato l'elettrotensile e quali sono i materiali tagliati o forati.

Le condizioni e la buona manutenzione dell'elettrotensile.

L'uso dell'accessorio corretto per il taglio e la sua affilatura, nonché le sue buone condizioni.

La tenuta della presa sulle impugnature e se vengono utilizzati eventuali accessori antivibrazioni e anturumore.

L'adeguatezza dell'utilizzo dell'elettrotensile rispetto a quanto previsto.

Questo elettrotensile potrebbe causare l'insorgenza della sindrome della vibrazione dell'avambraccio se il suo utilizzo non viene gestito correttamente.

AVVERTENZA! per essere precisi, una stima del livello di esposizione nelle attuali condizioni di utilizzo dovrebbe anche tenere conto di tutte le parti del ciclo operativo, come le volte in cui lo strumento viene spento e il tempo in cui viene lasciato girare a vuoto senza realmente fare il suo lavoro. Questo potrebbe ridurre significativamente il livello di esposizione sul periodo di lavoro totale.

Aiuto a minimizzare il rischio di esposizione alle vibrazioni e al rumore.

Usare sempre scalpelli, trapani e lame affilati.

Conservare questo elettroutensile sempre in conformità a queste istruzioni e mantenerlo ben lubrificato (dove appropriato).

Se l'utensile deve essere utilizzato regolarmente, investire in accessori antivibrazioni e antirumore. Pianificare il lavoro in modo da suddividere i lavori che implicano le maggiori vibrazioni nell'arco di più giorni.

ACCESSORI

Lama da taglio per legno	1
Adattatore polvere	
Copertura della base	1
Guida parallela	1

Si consiglia di acquistare accessori dal negozio in cui viene venduto l'utensile. Per informazioni più dettagliate, consultare la confezione degli accessori. Il personale del negozio può aiutarti con consigli.

SEGHETTO ALTERNATIVO A BATTERIA

ISTRUZIONI PER L'USO



NOTA: Leggere attentamente il manuale di istruzioni prima di utilizzare l'utensile.

USO PREVISTO

La macchina viene utilizzata per segare legno, plastica, metallo e materiali da costruzione pur essendo fissata saldamente sul pezzo.

È adatto per tagli dritti e curvi. Seguire le raccomandazioni della lama per sega.

PRIMA DI MESSA IN FUNZIONE

1. PER RIMUOVERE O INSTALLARE IL PACCO BATTERIA (NON INCLUSO) (VEDI FIG. A1, A2)

Per rimuovere il pacco batteria, premere prima saldamente il pulsante di rilascio del pacco batteria, quindi far scorrere il pacco batteria fuori dallo strumento.

Per installare il pacco batteria, far scorrere il pacco batteria completamente carico sull'utensile con la forza sufficiente fino a quando non si incastra in posizione.

2. MONTAGGIO DELLA LAMA PER SEGA

NOTA: Prima di effettuare qualsiasi regolazione, manutenzione o assistenza, rimuovere il blocco batteria dalla sega alternativa. Indossare guanti protettivi durante il montaggio della lama della sega.

- Inserimento della lama della sega (VEDI Fig. B1)

Per aprire il supporto della lama, ruotare la linguetta di rilascio della lama in senso orario (sega alternativa capovolta) e tenerla in posizione. Quindi inserire completamente la lama nello slot del supporto della lama con i denti della lama rivolti in avanti e rilasciare la linguetta di rilascio della lama, che si ruoterà automaticamente e si bloccherà sopra la parte superiore della lama. Spingere nuovamente la lama nel supporto della lama per assicurarsi che sia bloccata in posizione. Assicurarsi che il bordo della lama sia posizionato nella scanalatura della guida a rulli.

- Rimozione della lama della sega (VEDI Fig. B2)

Per rimuovere una lama, tenere la lama e ruotare la linguetta di rilascio della lama in senso orario, quindi sollevare la lama (la lama potrebbe essere espulsa a molla).



AVVERTENZA! I denti della lama sono molto affilati. Per ottenere i migliori risultati di taglio, assicurarsi di utilizzare una lama adatta al materiale e alla qualità di taglio necessari.



AVVERTENZA! La lama della sega appena usata è molto calda, fare attenzione a farla raffreddare o indossare guanti protettivi.

3. MONTAGGIO DELLA GUIDA PARALLELA (VEDI FIG. C)

Svitare il pomello di blocco della guida parallela in senso antiorario per ingrandire i fori dove viene inserito il braccio della guida parallela. Quindi far scorrere il braccio della guida parallela attraverso entrambi i fori e stringere il pomello di blocco in senso orario per raggiungere la distanza di taglio richiesta.

NOTA: È possibile montare la guida parallela da entrambi i lati come mostrato nella Fig. C.

4. INSTALLAZIONE DELL'ADATTATORE PER LA POLVERE (VEDI FIG. D)

Montare il tubo dell'adattatore per la polvere nell'apertura della piastra di base. Assicurarsi che la punta in plastica dell'adattatore per la polvere si inserisca nell'apertura corrispondente sul corpo della sega.

5. CONTROLLO DELL'AZIONE DI PENDOLO (VEDI FIG. E)

L'effetto del pendolo modifica l'angolo di taglio in avanti della lama per migliorare l'efficienza di taglio. Può anche essere regolato durante il funzionamento a vuoto. Per maggiori dettagli, vedere la tabella. Non usare una forza eccessiva della lama quando si esegue il taglio a pendolo. La lama taglia solo durante la corsa verso l'alto.


0	Materiali sottili. Fini taglii Curva stretta.
1	Materiali duri (ad es. acciaio & pannelli truciolari)
2	Materiali spessi (ad es. legno) & plastica

3	Tagli rapido (ad es. legno dolce). Tagliare lungo la direzione del grano.
---	---

8. INTERRUPTORE ACCESO/ SPENTO DI SICUREZZA (VEDI FIG. F)

Per bloccare l'interruttore on/off, posizionare il pulsante di blocco nella posizione centrale. Questo aiuta a ridurre la possibilità di avvio accidentale quando non è in uso. Premere il pulsante di blocco verso sinistra o verso destra, quindi l'interruttore on/off e rilasciare il pulsante di blocco. L'interruttore è ora acceso. Per spegnere, basta rilasciare l'interruttore on/off.

NOTA: La luce LED illuminerà automaticamente la zona di lavoro quando il prodotto è acceso.

 **AVVERTENZA!** Non guardare direttamente nella luce LED!

- Controllo della velocità variabile

L'interruttore on/off è anche un interruttore a grilletto a velocità variabile controllata. La velocità può essere regolata dal minimo al massimo dalla pressione che si applica sull'interruttore on/off. Applicare più pressione per aumentare la velocità e rilasciare la pressione per diminuire la velocità.

7. TAGLIO RETTO E TAGLIO CURVO (VEDI FIG. G1, G2)

La sega alternativa può tagliare in linea retta o secondo la curva desiderata.

8. REGOLAZIONE DELL'ANGOLO DELLA PIASTRA DI BASE (VEDI FIG. H1-H3)

NOTA: Rimuovere l'adattatore per la polvere prima di regolare la piastra di base.

NOTA: Ruotare la piastra di base nella posizione desiderata in base alla scala. Assicurarsi che la lama sia inserita tra la ruota di posizionamento della lama.

Per regolare l'angolo della piastra di base, ruotare la leva di regolazione della piastra di base in avanti per sbloccare la piastra di base. Spingere leggermente la piastra di base in avanti, in modo che le linee dell'angolo sulla piastra di base e sulla piastra dell'angolo si sovrappongano all'angolo desiderato (0°, 15°, 30°, 45°). Tirare indietro la piastra di base per

stringerla. Per altri angoli a ghigliottina, ruotare fino all'angolo desiderato (utilizzare una scala goniometrica). Quindi ruotare il commutatore di regolazione della piastra di base all'indietro per bloccare la piastra di base a quell'angolo. Infine, verificare l'angolo e assicurarsi che la piastra di base sia saldamente serrata.

NOTA: Le marcature degli angoli sulla piastra di base sono precise per la maggior parte degli usi generali, ma è consigliabile per un lavoro preciso impostare l'angolo con un goniometro e fare una prova di taglio su altri materiali.

9. PROTEZIONE DELLE DITA

La protezione per le dita si trova davanti al supporto di lama. Durante il lavoro, aiuta a prevenire il contatto accidentale con lame in movimento.

IT

SUGGERIMENTI DI LAVORO PER IL TUO SEGNETTO ALTERNATIVO

Se il seghetto alternativo è surriscaldato, soprattutto a basse velocità, impostare la velocità al massimo e lasciarla inattiva per 2-3 minuti per raffreddare il motore. Evitare l'uso prolungato a velocità estremamente bassa.

GENERALE

Utilizzare sempre una lama adatta al materiale e allo spessore del materiale da tagliare. Accertarsi sempre che il pezzo da lavorare sia saldamente fissato o bloccato per evitare il movimento. Per un controllo più semplice, iniziare a tagliare a bassa velocità e quindi aumentare alla velocità corretta. Qualsiasi movimento del materiale può influire sulla qualità di taglio. La lama taglia alla corsa verso l'alto e può rompere la parte superiore o la superficie del pezzo. Dopo aver terminato il lavoro, assicurarsi che la superficie superiore sia invisibile.

LAMINATI DA TAGLIO

Utilizzare lame a denti fini per tagliare la maggior parte dei materiali laminati e dei legni sottili. Per ridurre la scheggiatura dei bordi, bloccare il legno di scarto su entrambi i lati

SEGHETTO ALTERNATIVO A BATTERIA

dei lati e tagliare il legno di scarto durante il processo di taglio.

TAGLIO CIRCOLARE

Non utilizzare l'azione del pendolo durante il taglio di arrotondamenti o angoli.

SEGA AD IMMERSIONE PLUNGE (VEDI FIG. I1, I2)

La sega ad immersione può essere utilizzato solo su materiali come legno, calcestruzzo cellulare, cartongesso e altri materiali morbidi. Utilizzare solo lame per sega corte. Posizionare il bordo anteriore del supporto sul pezzo e accenderlo. Premere saldamente la macchina contro il pezzo, quindi inserire lentamente la lama nel pezzo.

Dopo aver posizionato l'intera superficie del supporto sul pezzo, continuare a tagliare lungo la linea di taglio.

TAGLIO DEL METALLO

Per i metalli ferrosi, utilizzare denti di lama più sottili e per i metalli non ferrosi, usare denti di lama più grossolani. Quando si tagliano lastre di metallo sottili, bloccare sempre il legno su entrambi i lati della lastra di metallo per ridurre le vibrazioni o lo strappo della lastra di metallo. È necessario tagliare sia lastre di legno che di metallo. Quando si tagliano metalli sottili o lamiere di acciaio sottili, non usare lame forti perché sono materiali più duri e impiegano più tempo a tagliare. Una forza della lama eccessiva può ridurre la durata della lama o danneggiare il motore. Per ridurre il calore durante il taglio dei metalli, aggiungere una piccola quantità di lubrificante sulla linea di taglio.

MANUTENZIONE

Rimuovere il pacco batteria dall'utensile prima di eseguire qualsiasi regolazione, riparazione o manutenzione.

All'interno dell'attrezzo non ci sono parti riparabili da parte dell'utente. Non usare mai acqua o detersivi chimici per pulire l'attrezzo. Pulire con un panno asciutto. Conservare sempre gli attrezzi in luoghi asciutti. Tenere pulite le aperture di ventilazione del motore. Tenere puliti dalla polvere tutti i controlli operativi. La formazione di scintille all'interno delle aperture di ventilazione, è un fenomeno normale che non crea danni all'attrezzo.

PER GLI UTENSILI A BATTERIA

La temperatura ambientale raccomandata per l'uso e la conservazione dell'utensile e della batteria è di 0°C-45°C.

La temperatura ambientale raccomandata per il caricabatterie durante la carica è di 0°C-40°C.

TUTELA AMBIENTALE



I prodotti elettrici non possono essere gettati tra i rifiuti domestici. L'apparecchio da rottamare deve essere portato al centro di riciclaggio per un corretto trattamento. Controllare con le autorità locali o con il rivenditore per localizzare il centro di riciclaggio più vicino.

EC Dichiarazione di Conformità



Noi :

HYUNDAI Corporation Holdings Europe
Am Kronberger Hang 2A, 65824, Schwalbach am Taunus
Germany

Dichiariamo che il prodotto dettagliato di seguito :
Seghetto Alternativo a Batteria

MODELLO : JS20X-26
FUNZIONE : Taglio di vari materiali

Soddisfa i requisiti delle direttive del Consiglio :
2006/42/EC, 2014/30/EU
2011/65/EU & (EU)2015/863

Gli standard conformano alla :
EN 62841-1, EN 62841-2-11,
EN IEC 55014-1, EN IEC 55014-2,
EN IEC 63000

La persona autorizzata a costituire il fascicolo tecnico,
Nome : Hyundae Kim
Indirizzo : HYUNDAI Corporation Holdings Europe
65824 Schwalbach am Taunus, Germany

Direttore generale

Jaiwon Hur

Responsabile del progetto

Sungwoo Hong

Date : 2024.09.25

SIERRA DE CALAR A BATERÍA

MANUAL ORIGINALSEGURIDAD DEL PRODUCTO ADVERTENCIAS DE SEGURIDAD GENERALES SOBRE HERRAMIENTAS ELÉCTRICAS



ADVERTENCIA! Lea todas las advertencias de seguridad, instrucciones, ilustraciones y especificaciones que acompañan a esta herramienta eléctrica. Si no se respetan todas las instrucciones que se indican abajo, podría producirse una descarga eléctrica, un incendio o alguien podría resultar herido de gravedad.

Conserve todas las advertencias e instrucciones para futuras consultas. El término "herramienta eléctrica" en todas las advertencias siguientes corresponde a la herramienta eléctrica con o sin cable.

1. Zona de trabajo

- a) Mantener su lugar de trabajo limpio y bien iluminado. Bancos de trabajo desordenados y lugares oscuros invitan a los accidentes.
- b) No utilizar herramientas eléctricas en atmósferas explosivas, como por ejemplo en presencia de líquidos inflamables, gases o polvo. Las herramientas eléctricas crean chispas que pueden encender el polvo o los vapores.
- c) Mantener alejados a los niños y visitantes mientras opera una herramienta eléctrica. Las distracciones pueden hacerle perder el control.

2) Seguridad eléctrica

- a) Los enchufes de la herramienta eléctrica deben encajar perfectamente en el tomacorriente. Nunca modificar el enchufe de ninguna manera. No utilizar adaptadores con herramientas eléctricas conectadas a tierra. Los enchufes no modificados y los que encajan perfectamente en el tomacorriente reducirán el riesgo de

descarga eléctrica.

- b) Evitar el contacto del cuerpo con superficies conectadas a tierra tales como caños, radiadores, cocinas y heladeras. Existe un riesgo creciente de descarga eléctrica si su cuerpo queda conectado a tierra.
 - c) No exponer las herramientas eléctricas a la lluvia y no guardar en lugares húmedos. El agua que penetra en ellas aumentará el riesgo de una descarga eléctrica.
 - d) No abusar del cable. Nunca utilizar el cable para transportar, tirar o desenchufar la herramienta eléctrica. Mantener el cable alejado del calor, del aceite, de bordes agudos o piezas móviles. Los cables dañados o enredados aumentan el riesgo de descarga eléctrica.
 - e) Cuando utilice su herramienta eléctrica al aire libre, emplear un prolongador apto para uso en exteriores. El empleo de cables para uso al aire libre reduce el riesgo de descarga eléctrica.
 - f) Si es necesario utilizar la herramienta motorizada en un lugar muy húmedo, utilice una fuente de alimentación con dispositivo de corriente residual (RCD). El uso de un RCD reduce el riesgo de descarga eléctrica.
- ### 3) Seguridad personal
- a) Mantenerse alerta, poner atención en lo que está haciendo y utilice el sentido común mientras opera una herramienta eléctrica. No emplear la herramienta cuando se encuentre cansado o bajo la influencia de drogas, alcohol o medicación. Un momento de falta de atención durante el manejo de herramientas eléctricas puede dar lugar a daños corporales serios.
 - b) Utilizar equipo de seguridad. Usar siempre protección ocular. Equipo de seguridad como máscaras contra el polvo, zapatos antideslizantes de seguridad, sombrero o protección auditiva para condiciones apropiadas reducirá daños corporales.
 - c) Evite el arranque accidental. Asegúrese de que el interruptor se encuentra desactivado antes de enchufar la máquina o colocar la batería, al tomar la herramienta

- o transportarla. *Transportar herramientas con el dedo en el interruptor o enchufar la herramienta cuando el interruptor está encendido invitan a los accidentes.*
- d) **Retire llaves de ajuste o llaves inglesas antes de poner la herramienta en funcionamiento.** *Una llave que queda unida a una pieza móvil de la herramienta puede originar daños corporales.*
- e) **No exralimitarse. Mantenerse firme y con buen equilibrio en todo momento.** *Esto permite un mejor control de la herramienta en situaciones inesperadas.*
- f) **Vestirse apropiadamente. No usar ropa suelta ni alhajas.** *Mantenga el pelo, la ropa y los guantes alejados de las piezas en movimiento. La ropa suelta, las alhajas o el cabello largo pueden ser atrapados por las piezas móviles.*
- g) **Si se proporcionan dispositivos para la extracción y recolección de polvo, asegurarse de que estos estén conectados y utilizados correctamente.** *El uso de estos dispositivos puede reducir peligros relacionados con el polvo.*
- h) **No permita que el hecho de estar familiarizado con el uso de herramientas le haga volverse descuidado o ignorar las normas de seguridad.** *La falta de atención puede provocar heridas graves en una fracción de segundo.*
- 4) **Mantenimiento de la herramienta motorizada**
- a) **No forzar la herramienta eléctrica. Utilizar la herramienta eléctrica correcta para su aplicación.** *La herramienta eléctrica correcta hará el trabajo mejor y más seguro a la velocidad para la cual fue diseñada.*
- b) **No utilizar la herramienta eléctrica si el interruptor no la enciende o apaga.** *Cualquier herramienta eléctrica que no pueda ser controlada con el interruptor es peligrosa y debe ser reparada.*
- c) **Desconecte la clavija de la fuente de alimentación o extraiga la batería (si es desmontable) de la herramienta eléctrica antes de realizar cualquier ajuste, cambiar los accesorios o guardar la herramienta.** *Tales medidas de seguridad preventivas reducen el riesgo de arranque accidental de la herramienta.*
- d) **Mantener las herramientas eléctricas que no usa fuera del alcance de los niños y no permita que personas no familiarizadas con la herramienta o con estas instrucciones maneje la herramienta eléctrica.** *Las herramientas eléctricas son peligrosas en manos de usuarios inexpertos.*
- e) **Realice un mantenimiento adecuado de las herramientas eléctricas y sus accesorios.** *Comprobar si hay desalineamiento o atascamiento de piezas móviles, rotura de piezas en general y cualquier otra condición que pueda afectar la operación normal de la herramienta. Si se verifican daños, recurra a un servicio calificado antes de volver a usar la herramienta. Las herramientas mal mantenidas causan muchos accidentes.*
- f) **Mantener las piezas de corte limpias y afiladas.** *Puesto que son menos probables de atascarse y más fáciles de controlar.*
- g) **Utilizar la herramienta eléctrica, accesorios y brocas etc., de acuerdo con estas instrucciones y de la manera prevista para el tipo particular de herramienta eléctrica, teniendo en cuenta las condiciones de trabajo y el trabajo a ser realizado.** *El uso de la herramienta eléctrica para otras operaciones distintas de lo previsto podría dar lugar a una situación peligrosa.*
- h) **Mantenga las empuñaduras y las superficies de agarre secas, limpias y sin aceite ni grasa.** *Una empuñadura o una superficie de agarre resbaladiza dificultan la correcta manipulación y el control de la herramienta en situaciones imprevistas.*
- 5) **Utilización y mantenimiento de la batería**
- a) **Recargar solamente con el cargador indicado por el fabricante.** *Un cargador adaptado a un tipo de batería podría crear un riesgo de incendio si se utiliza con una diferente batería.*
- b) **Utilizar las herramientas eléctricas solamente con baterías especialmente adaptadas.** *La utilización de cualquier otra batería podría causar un riesgo de incendio o herida.*
- c) **Cuando la batería no está en uso, tenerla**

SIERRA DE CALAR A BATERÍA

- lejos de los objetos metálicos como los trombones, las piezas de moneda, las llaves, los clavos, los tornillos, o cualquier otro pequeño objeto metálico susceptibles de establecer una conexión de un terminal a otra. *El cortocircuito de un terminal a otra puede causar quemaduras o un incendio.*
- d) Hay una fuga de líquido de la batería. Evitar todo contacto. Si entre accidentalmente en contacto con este líquido, lavar con agua limpia. En caso de contacto con los ojos, consultar a un médico. *El líquido presente en las baterías puede causar irritaciones o quemaduras.*
- e) No utilice una batería o una herramienta que estén dañadas o hayan sido modificadas. *Las baterías dañadas y modificadas pueden comportarse de forma imprevisible y provocar un incendio, una explosión o herir a alguien.*
- f) No arroje una batería o herramienta al fuego ni las exponga a una temperatura excesiva. *La exposición al fuego y a temperaturas superiores a 130 °C puede provocar una explosión.*
- g) Respete todas las instrucciones de carga y no cargue la batería o la herramienta fuera del rango de temperatura especificado en las instrucciones. *Una carga inadecuada o a una temperatura fuera del rango especificado puede ocasionar daños en la batería y aumentar el riesgo de incendio.*
- 6) Reparación
- a) Permitir que el mantenimiento de su herramienta eléctrica sea efectuado por una persona calificada usando solamente piezas de recambio idénticas. *Esto es primordial para mantener la seguridad de la herramienta eléctrica.*
- b) No intente reparar nunca una batería dañada. *Cualquier intervención técnica en una batería debe ser realizada exclusivamente por el fabricante o por un servicio técnico autorizado.*

ADVERTENCIA DE SEGURIDAD GENERAL SOBRE LA SIERRA SABLE

1. Sostenga la herramienta por las empuñaduras aislantes cuando realice una operación donde la herramienta de corte puede entrar en contacto con cableado oculto. *El contacto de la pieza cortante con un cable de corriente podría cargar de electricidad las piezas metálicas expuestas de la herramienta y provocar una descarga eléctrica al usuario.*
2. Utilice unas mordazas u otro método igual de práctico para fijar y aguantar la pieza de trabajo en una base estable. *Si sujeta la pieza de trabajo con la mano o contra su cuerpo, será menos estable y podría perder el control.*

SÍMBOLOS



Para reducir el riesgo de lesión, lea el manual de instrucciones



Advertencia



Utilice protección auditiva



Utilice protección ocular



Utilice una máscara antipolvo



Los residuos de aparatos eléctricos y electrónicos no deben depositarse en la basura doméstica. Se deben reciclar en las instalaciones especializadas. Consulte a las autoridades locales o el establecimiento para saber cómo reciclar estos productos.




LISTA DE COMPONENTES

1. BOTÓN DE BLOQUEO
2. INTERRUPTOR ENCENDIDO / APAGADO
3. BOTÓN DE LIBERACIÓN DE LA BATERÍA *
4. INDICADOR DE CAPACIDAD DE LA BATERÍA *
5. PAQUETE DE BATERIA *
6. ADAPTADOR DE POLVO
7. PALANCA DE AJUSTE DE LA PLACA BASE
8. CONTROL DE ACCIÓN PENDULAR
9. PLACA BASE
10. GUÍA DE RODILLOS
11. GUÍA PARALELA
12. HOJA DE LA SIERRA
13. PERILLA DE BLOQUEO DE LA GUÍA PARALELA
14. SOPORTE DE HOJA SIN HERRAMIENTAS
15. HERRAMIENTA DE PROTECCIÓN PARA DEDOS
16. PALANCA DE SOPORTE DE HOJA SIN HERRAMIENTAS
17. LUZ LED

* No todos los accesorios ilustrados o descritos están incluidos en la entrega estándar.

DATOS TÉCNICOS

Tipo JS20X-26 (20X-26-denominaciones de maquinaria, representantes de sierra de calar)

Voltaje		18V  (20V Max.)
Sin velocidad de carga		0-3500 /min
Longitud del trazo		26mm
Capacidad del bisel		±45°
Capacidad de corte	Madera	120mm
	Acero	10mm
Peso de la máquina (sin batería)		2.12kg

PACKS DE BATERÍAS ADECUADOS

Número de artículo	BI20-2	BI20-4
Paquete de batería	2.0Ah	4.0Ah
	No incluido	No incluido

SIERRA DE CALAR A BATERÍA

CARGADORES ADECUADOS

Número de artículo	C20-2	C20-4
Entrada del cargador	100-240V~50/60Hz, 55W	100-240V~50/60Hz, 95W
Salida del cargador	20V \equiv 2.0A	20V \equiv 4.0A
Tiempo de carga (aproximado)	1hr (2.0 Ah) 2hrs (4.0 Ah)	30mins (2.0 Ah) 60mins (4.0 Ah)
Clase de protección del cargador	\square /II	\square /II
	No incluido	No incluido

INFORMACIÓN DE RUIDO

Nivel de presión acústica ponderada	L_{pA} : 85dB (A)
Nivel de potencia acústica ponderada	L_{wA} : 93dB (A)
K_{pA} & K_{wA}	5.0dB (A)
Utilice protección auditiva.	

INFORMACIÓN DE VIBRACIÓN

Valores totales de vibración (suma vectorial triangular) determinados según la norma EN 62841:	
Tabla para cortar	Valor de emisión de vibración: $a_{h,B} = 6.83 \text{ m/s}^2$
	Incertidumbre $K = 1.5 \text{ m/s}^2$
Corte de chapa metálica	Valor de emisión de vibración: $a_{h,M} = 6.49 \text{ m/s}^2$
	Incertidumbre $K = 1.5 \text{ m/s}^2$

El valor total de vibraciones declarado y el valor de emisiones acústicas declarado se han medido de conformidad con un método de prueba estándar y pueden utilizarse para realizar comparaciones entre herramientas.

El valor total de vibraciones declarado y el valor de emisiones acústicas declarado también pueden utilizarse en una evaluación preliminar de la exposición.

⚠ ADVERTENCIA! Las vibraciones y las emisiones acústicas que se producen durante el uso de la herramienta eléctrica pueden variar respecto a los valores declarados en función de cómo se utilice la herramienta, especialmente dependiendo del tipo de pieza de trabajo que se procese y de otras formas de usar la herramienta:

Cómo se utiliza la herramienta y se cortan o perforan los materiales.

Si la herramienta se encuentra en buenas condiciones de mantenimiento.

Si se utiliza el accesorio correcto para la herramienta y se garantiza que está afilado y en buenas condiciones.

La firmeza de sujeción de las empuñaduras, y el uso de accesorios para reducir las vibraciones y el ruido.

Y si la herramienta se utiliza según su diseño y estas instrucciones.

Esta herramienta podría causar síndrome de vibración del brazo y la mano si no se utiliza correctamente.

⚠ ADVERTENCIA! Para conseguir una mayor precisión, debe tenerse en cuenta una estimación del nivel de exposición en condiciones reales de todas las partes del ciclo de uso, como los tiempos durante los que la herramienta está apagado o cuando está en funcionamiento pero no está realizando ningún trabajo. Ello podría reducir notablemente el nivel de exposición sobre el periodo de carga total.

Minimización del riesgo de exposición a las vibraciones y el ruido.

Utilice SIEMPRE cinceles, brocas y cuchillas afiladas.

Mantenga esta herramienta de acuerdo con estas instrucciones y bien lubricada (si es necesario).

Si la herramienta se va a utilizar de forma habitual, se recomienda adquirir accesorios para reducir las vibraciones y el ruido.

Planifique su programa de trabajo para distribuir el uso de la herramienta a lo largo de varios días.

ACCESORIOS

Cuchilla de corte de la madera	1
Adaptador de polvo	
Cubierta de la base	1
Guía paralela	1

Le recomendamos que compre sus accesorios en la misma tienda que le vendió la herramienta. Vea el paquete de accesorios para más información. El empleado puede ayudarlo y aconsejarlo.

SIERRA DE CALAR A BATERÍA

INSTRUCCIONES



NOTA: Antes de utilizar la herramienta, lea atentamente el libro de instrucciones.

POSIBLE USO

La máquina está diseñada para aserrar madera, plástico, metal y materiales de construcción mientras reposa firmemente sobre la pieza de trabajo. Es adecuada para cortes rectos y curvos. Se deben observar las recomendaciones de la hoja de sierra.

ANTES DE PONERLO EN FUNCIONAMIENTO

1. MONTAJE DEL PAPEL DE LIJA DE GANCHO Y BUCLE (NO INCLUIDO) (VER FIG A1, A2)

Para quitar el paquete de baterías, primero presiona firmemente el botón de liberación del paquete de baterías y luego desliza el paquete de baterías fuera de tu herramienta.

Para instalar el paquete de baterías, desliza el paquete de baterías completamente cargado sobre la herramienta con suficiente fuerza hasta que encaje en su posición.

2. MONTAJE DE LA HOJA DE LA SIERRA

NOTA: Retire el paquete de baterías de la sierra de calar antes de realizar cualquier ajuste, servicio o mantenimiento. Use guantes protectores al ensamblar la hoja de sierra.

- Inserción de la hoja de sierra (Ver Fig. B1)

Para abrir el portaherramientas, gire el pestillo de liberación de la hoja en sentido horario (sierra de calar boca abajo) y manténgalo en posición. Luego inserte completamente la hoja en la ranura del portaherramientas con los dientes de la hoja hacia adelante y suelte el pestillo de liberación de la hoja, que se girará automáticamente y se sujetará sobre la parte superior de la hoja. Empuje la hoja hacia el portaherramientas nuevamente para asegurarse de que esté bloqueada en posición. Asegúrese de que el borde de la hoja esté ubicado en la ranura de la guía de rodillos.

- Retirada de la hoja de sierra (Ver Fig. B2)

Para quitar una hoja, sostenga la hoja y gire el pestillo de liberación de la hoja en sentido

horario, luego levante la hoja (la hoja podría ser expulsada por resorte).



ADVERTENCIA! Los dientes de la cuchilla son muy afilados. Para obtener los mejores resultados de corte, asegúrese de utilizar una cuchilla adecuada para el material y la calidad de corte que necesita.



ADVERTENCIA! La hoja de sierra recién utilizada está muy caliente, por favor preste atención para dejar que se enfríe o use guantes protectores.

3. MONTAJE DE LA GUÍA PARALELA (VER FIG. C)

Gire el botón de bloqueo de la guía paralela en sentido antihorario para agrandar los agujeros donde se inserta el brazo de la guía paralela. Luego deslice el brazo de la guía paralela a través de ambos agujeros y apriete el botón de bloqueo en sentido horario para lograr la distancia de corte requerida.

NOTA: Puede montar la guía paralela desde ambos lados como se muestra en la Fig. C.

4. INSTALACIÓN DEL ADAPTADOR DE POLVO (VER FIG. D)

Monte el tubo del adaptador de polvo en la abertura de la placa base. Asegúrese de que la punta de plástico del adaptador de polvo se enganche en la abertura correspondiente en la carcasa.

5. CONTROL DE ACCIÓN PENDULAR (VER FIG. E)

La acción pendular varía el ángulo de corte hacia adelante de la cuchilla para una mayor eficiencia de corte. Esto también se puede ajustar durante la ejecución sin carga. Vea el paquete de accesorios para más información. No utilice una fuerza excesiva en la cuchilla cuando corte con la acción pendular. La cuchilla corta solo en el trazo ascendente.

0	Materiales delgados. Cortes finos. Curvas cerradas.
1	Materiales duros (por ejemplo, acero y aglomerado)
2	Materiales gruesos (por ejemplo, madera) y plástico.

3	<p>Cortes rápidos (por ejemplo, madera blanda).</p> <p>Cortando en la dirección granural de la madera.</p>
---	--

6. INTERRUPTOR DE ENCENDIDO / APAGADO DE SEGURIDAD (VER FIG. F)

Para bloquear el interruptor de encendido/apagado, coloque el botón de bloqueo en la posición central. Esto ayuda a reducir la posibilidad de encendido accidental cuando no está en uso. Presione el botón de bloqueo hacia la izquierda o hacia la derecha, luego el interruptor de encendido/apagado y suelte el botón de bloqueo. Su interruptor está ahora encendido. Para apagar, simplemente suelte el interruptor de encendido/apagado.

NOTA: La luz LED iluminará automáticamente la zona de trabajo cuando el producto esté encendido.



ADVERTENCIA! ¡No mire directamente a la luz LED!

- Control de velocidad variable

El interruptor de encendido/apagado es también un interruptor de gatillo de velocidad variable controlado. La velocidad puede ajustarse desde el mínimo hasta el máximo por la presión que aplique al interruptor de encendido/apagado. Aplique más presión para aumentar la velocidad y suelte la presión para disminuir la velocidad.

7. CORTE RECTO Y CORTE EN CURVA (VER FIG. G1, G2)

La sierra de calar puede cortar en línea recta o según la curva que desee.

8. AJUSTE DEL ÁNGULO DE LA PLACA BASE (VER FIG. H1-H3)

NOTA: Retire el adaptador de polvo antes de ajustar la placa base.

NOTA: Gire la placa base a la posición deseada según la escala. Asegúrese de que la hoja esté enganchada entre la rueda de posicionamiento de la hoja.

Para ajustar el ángulo de la placa base, gire la palanca de ajuste de la placa base hacia adelante para desbloquear la placa base.

Empuje ligeramente hacia adelante la placa base, de modo que las líneas del ángulo en la placa base y la placa de ángulo se superpongan en el ángulo deseado (0°, 15°, 30°, 45°). Tire hacia atrás de la placa base para apretarla. Para otros ángulos de inglete, gire hacia el ángulo deseado (use una escala de transportador). Luego gire el interruptor de ajuste de la placa base hacia atrás para bloquear la placa base en ese ángulo. Finalmente, verifique el ángulo y asegúrese de que la placa base esté firmemente sujeta.

NOTA: Las marcas de ángulo en la placa base son precisas para la mayoría de los propósitos generales, pero se recomienda para un trabajo preciso ajustar el ángulo con un transportador y realizar una prueba de corte en otro material.

9. PROTECCIÓN DE LOS DEDOS

La protección de los dedos se encuentra en frente del portacuchillas. Mientras trabaja, ayudará a evitar el contacto accidental con la cuchilla en movimiento.

ES

CONSEJOS DE TRABAJO PARA SU SIERRA DE CALAR

Si su sierra caladora se calienta demasiado, especialmente cuando se usa a baja velocidad, ajuste la velocidad al máximo y no ejecute la carga durante 2-3 minutos para enfriar el motor. Evite el uso prolongado a velocidades muy bajas.

GENERAL

Utilice siempre una cuchilla adecuada para el material y el grosor del material a cortar. Asegúrese siempre de que la pieza de trabajo esté firmemente sujeta o afinado para evitar que se mueva. Para un control más fácil, use la velocidad baja para comenzar a cortar, luego aumente a la velocidad correcta. Cualquier movimiento del material puede afectar la calidad del corte. La cuchilla corta el trazo ascendente y puede astillar la superficie superior o la cara de la pieza de trabajo. Asegúrese de que su superficie superior sea una superficie no visible cuando termine su trabajo.

SIERRA DE CALAR A BATERÍA

CORTES LAMINADOS

Use una cuchilla fina para cortar la mayoría de las láminas y materiales de madera delgados. Para reducir el astillado de los bordes, sujete las piezas de madera desechable a ambos extremos y lados y cortéla durante el corte.

CORTE CIRCULAR

No utilice la acción pendular para cortes circulares o ángulos estrechos.

SIERRA DE PENETRACIÓN (VER FIG. 11, 12)

El corte por inmersión solo se puede utilizar en materiales blandos como madera, hormigón celular, placas de yeso, etc.

Use solo hojas de sierra cortas. Coloque el borde frontal de la placa base en la pieza de trabajo y enciéndalo. Presione la máquina firmemente contra la pieza de trabajo y súmrela lentamente en la pieza de trabajo. Tan pronto como la superficie completa de la placa base descansa sobre la pieza de trabajo, continúe cortando a lo largo de la línea de corte.

CORTE DE METALES

Use una cuchilla de diente más fino para metales ferrosos y una cuchilla de diente grueso para metales no ferrosos. Al cortar láminas metálicas delgadas, sujete siempre la madera en ambos lados de la lámina para reducir la vibración o el rasgado de la lámina metálica. Tanto la madera como la chapa deben cortarse. No fuerce la cuchilla al cortar metal delgado o chapa de acero, ya que son materiales más duros y tomarán más tiempo para cortar. La fuerza excesiva de la cuchilla puede reducir la vida útil de la cuchilla o dañar el motor. Para reducir el calor durante el corte de metal, agregue un poco de lubricante a lo largo de la línea de corte.

MANTENIMIENTO

Antes de empezar cualquier tarea de ajuste, mantenimiento o reparación, debe extraerse la batería de la herramienta.

No posee piezas en su interior que deban ser reparadas por el usuario. Nunca emplee agua o productos químicos para limpiar su herramienta. Use simplemente un paño seco. Guarde siempre su herramienta en un lugar seco. Mantenga limpias las ranuras de ventilación del motor. Mantenga todos los controles de funcionamiento libres de polvo. La observación de chispas que destellan bajo las ranuras de ventilación indica un funcionamiento normal que no dañará su herramienta.

PARA LAS HERRAMIENTAS A BATERÍA

El rango de temperatura ambiente de funcionamiento y almacenamiento para la herramienta y la batería es de 0°C-45°C.

El rango de temperatura ambiente recomendado para el Sistema de carga durante el proceso de carga es de 0°C-40°C.

PROTECCION AMBIENTAL



Los residuos de aparatos eléctricos y electrónicos no deben depositarse en la basura doméstica. Se deben reciclar en las instalaciones especializadas. Consulte a las autoridades locales o el establecimiento para saber cómo reciclar estos productos.

EC Declaración de Conformidad



Nosotros : **HYUNDAI Corporation Holdings Europe**
Am Kronberger Hang 2A, 65824, Schwalbach am Taunus
Germany

Declaramos que el producto detallado a continuación :
Sierra de calar a batería

MODELO : JS20X-26
FUNCIÓN : Serrar diferentes materiales

Satisface los requisitos de las directivas del Consejo :
2006/42/EC, 2014/30/EU
2011/65/EU & (EU)2015/863

Normas cumplen con :
EN 62841-1, EN 62841-2-11,
EN IEC 55014-1, EN IEC 55014-2,
EN IEC 63000

La persona autorizada para elaborar el expediente técnico,
Nombre : **Hyundae Kim**
Dirección : **HYUNDAI Corporation Holdings Europe**
65824 Schwalbach am Taunus, Germany

Gerente general

Jaiwon Hur

Director de proyecto

Sungwoo Hong

Fecha : 2024.09.25

ACCU DECOUPEERZAAG

OORSPRONKELIJKE GEBRUIKSAANWIJZING PRODUCTVEILIGHEID ALGEMENE VEILIGHEIDSWAAR- SCHUWINGEN VOOR VERMOGENSMACHINE



WAARSCHUWING! Lees alle veiligheidswaarschuwingen, instructies, illustraties en specificaties die bij dit elektrisch gereedschap werden meegeleverd. *Het niet opvolgen van alle onderstaande voorschriften kan tot een elektrische schok, brand en/of ernstig persoonlijk letsel leiden.*

Bewaar alle waarschuwingen en instructies voor latere naslag.

De term "(elektrisch) gereedschap" in de waarschuwingen hieronder, verwijst naar uw op netspanning werkende gereedschap (met stroomdraad) of uw accugereedschap (draadloos).

1. Werkgebied

- a) Houd uw werkgebied schoon en zorg ervoor dat deze goed verlicht is. *In rommelige en slecht verlichte werkgebieden gebeuren sneller ongelukken.*
- b) Gebruik elektrisch gereedschap niet in explosieve atmosferen, zoals in de nabijheid van ontvlambare vloeistoffen, gassen of stof. *Elektrisch gereedschap veroorzaakt vonken die de stof of de gassen kunnen doen ontvlammen.*
- c) Houd kinderen en omstanders uit de buurt terwijl u met elektrisch gereedschap werkt. *Afleidingen kunnen ervoor zorgen dat u de controle over het gereedschap verliest.*

2) Elektrische veiligheid

- a) De stekker van het elektrisch gereedschap moet passen in het stopcontact. Pas de stekker op geen enkele manier aan om te zorgen dat hij wel past. Gebruik geen adapterstekkers terwijl u geaard elektrisch gereedschap gebruikt. *Onaangepaste stekkers die in het stopcontact passen, verminderen de kans op een elektrische schok.*
- b) Vermijd lichamelijk contact met geaarde

of gegronde oppervlakken, zoals buizen, radiatoren, fornuizen en koelkasten. *Als uw lichaam geaard of geground is, is er een grotere kans op een elektrische schok.*

- c) Stel uw elektrische gereedschap niet bloot aan regen of natte omstandigheden. *Water dat elektrisch gereedschap kan binnendringen, vergroot de kans op een elektrische schok.*
 - d) Gebruik de stroomdraad niet op een andere manier dan waarvoor deze gemaakt is. Trek niet aan de stroomdraad, ook niet om de stekker uit het stopcontact te krijgen en draag het gereedschap niet door het aan de stroomdraad vast te houden. Houd de stroomdraad uit de buurt van hitte, olie, scherpe hoeken en bewegende onderdelen. *Beschadigde of verwarde stroomdraden vergroten de kans op een elektrische schok.*
 - e) Wanneer u het elektrische gereedschap buitenshuis gebruikt, dient u te zorgen voor een verlengsnoer dat geschikt is voor gebruik buitenshuis. *Het gebruik van een verlengsnoer dat geschikt is voor gebruik buitenshuis, vermindert de kans op een elektrische schok.*
 - f) Moet een krachtmachine in een vochtige locatie worden gebruikt, gebruik dan een aardlekschakelaar (ALS). *Een ALS vermindert het gevaar op elektrische schokken.*
- ### 3) Persoonlijke veiligheid
- a) Blijf alert, kijk waar u mee bezig bent en gebruik uw gezonde verstand wanneer u met elektrisch gereedschap werkt. Gebruik geen elektrisch gereedschap wanneer u moe bent of onder de invloed van drugs, alcohol of medicijnen. *Een moment van onoplettendheid bij het gebruik van elektrisch gereedschap kan leiden tot ernstig persoonlijk letsel.*
 - b) Gebruik een veiligheidsuitrusting. Draag altijd oogbescherming. *Een veiligheidsuitrusting, zoals een stofmasker, schoenen met antislipzolen, een veiligheidshelm, of oorbescherming die onder de juiste omstandigheden gebruikt wordt, vermindert de kans op persoonlijk letsel.*
 - c) Pas op dat het apparaat niet onbedoeld

- wordt gestart. Zorg ervoor dat de schakelaar uit staat voordat u de voeding en/of batterij aansluit, en als u de machine oppakt en draagt. *Gereedschap dragen terwijl u uw vinger op de schakelaar houdt, of de stekker in het stopcontact steken terwijl het gereedschap ingeschakeld staat, is vragen om ongelukken.*
- d) Verwijder inbussleutels of moersleutels voordat u het gereedschap inschakelt. *Een sleutel die nog in of op een draaiend onderdeel van het elektrische gereedschap zit, kan leiden tot ernstig persoonlijk letsel.*
- e) Werk niet boven uw macht. Zorg er altijd voor dat u stevig staat en goed in balans bent. *Hierdoor hebt u betere controle over het gereedschap in onverwachte situaties.*
- f) Draag geschikte kleding. Draag geen loszittende kleding of sieraden. Houd uw haar en kleding uit de buurt van bewegende onderdelen. *Loszittende kleding, sieraden of lang haar kan vast komen te zitten in bewegende onderdelen.*
- g) Wanneer er apparaten worden bijgeleverd voor stofafzuiging en –opvang, zorg er dan voor dat deze aangesloten zijn en op de juiste manier gebruikt worden. *Het gebruik van deze apparaten vermindert de gevaren die door stof kunnen ontstaan.*
- h) Als u gereedschap veelvuldig gebruikt, dan kan dit leiden tot het negeren van de veiligheidsprincipes, probeer dit te vermijden. *Een achteloze actie kan binnen een fractie van een seconde leiden tot ernstig letsel.*
- 4) Gebruik en onderhoud van elektrisch gereedschap
- a) Forceer het gereedschap niet. Gebruik gereedschap dat voor de toepassing geschikt is. *Het gebruik van geschikt gereedschap levert beter werk af en werkt veiliger als het gebruikt wordt op de snelheid waar het voor ontworpen is.*
- b) Gebruik het gereedschap niet wanneer de aan/uitschakelaar niet functioneert. *Gereedschap dat niet kan worden bediend met behulp van de schakelaar is gevaarlijk en dient te worden gerepareerd.*
- c) Haal de stekker uit het stopcontact en/of verwijder de accu, indien deze kan worden verwijderd, uit het gereedschap voordat u instellingen verandert, toebehoren vervangt of de machine opbergt. *Deze preventieve veiligheidsmaatregelen verminderen de kans op het ongewild inschakelen van het gereedschap.*
- d) Berg gereedschap dat niet gebruikt wordt buiten het bereik van kinderen op en laat personen die niet bekend zijn met het gereedschap of met deze veiligheidsinstructies het gereedschap niet bedienen. *Elektrisch gereedschap kan in de handen van ongetrainde gebruikers gevaarlijk zijn.*
- e) Onderhouden van het gereedschap en accessoires. Controleer of bewegende onderdelen nog goed uitgelijnd staan, of ze niet ergens vastzitten en controleer op elke andere omstandigheid die ervoor kan zorgen dat het gereedschap niet goed functioneert. *Wanneer het gereedschap beschadigd is, dient u het te repareren voordat u het in gebruik neemt. Veel ongelukken worden veroorzaakt door slecht onderhouden elektrisch gereedschap.*
- f) Houd snijdend gereedschap schoon en scherp. *Goed onderhouden snijdend gereedschap met scherpe zaagbladen/ messen zal minder snel vastlopen en is makkelijker te bedienen.*
- g) Gebruik het gereedschap, de accessoires, de bitjes, enz. in overeenstemming met deze instructies en op de manier zoals bedoeld voor het specifieke type elektrisch gereedschap, rekening houdend met de werkomstandigheden en het uit te voeren werk. *Het gereedschap gebruiken voor andere doeleinden dan waar deze voor ontworpen is, kan gevaarlijke situaties opleveren.*
- h) Houd de handgrepen en grijppoppervlakten droog, schoon en vrij van olie en smeermiddel. *Glibberige handgrepen en grijppoppervlakten laten geen veilige hantering toe, en zorgen ervoor dat u geen controle hebt over het gereedschap in onverwachte omstandigheden.*
- 5) Gebruik en onderhoud van accugereedschap
- a) Laad het accupack alleen op met de door de

ACCU DECOUPEERZAAG

- fabrikant aangegeven oplader. *Een oplader die geschikt is voor het ene type accupack, kan brand veroorzaken wanneer die gebruikt wordt voor een ander type accupack.*
- b) Gebruik het gereedschap uitsluitend met het aangegeven accupack. *Door het gebruik van andere accupacks ontstaat de kans op letsel of brand.*
- c) Wanneer het accupack niet gebruikt wordt, dient u het uit de buurt te houden van metalen voorwerpen, zoals paperclips, munten, sleutels, spijkers, schroeven of andere kleine metalen voorwerpen die een verbinding kunnen maken tussen de contactpunten van de terminal. *Het kortsluiten van de accuterminals kan zorgen voor brandwonden of brand.*
- d) Onder extreme omstandigheden kan er vloeistof uit de accu lopen; raak deze vloeistof niet aan. Wanneer u toch onverhoopt met de vloeistof in aanraking komt, dient u dit onmiddellijk af te spoelen met water. Wanneer de vloeistof in de ogen komt, dient u zo snel mogelijk een arts te raadplegen. *Vloeistof die afkomstig is uit de accu kan irritatie of brandwonden veroorzaken.*
- e) Gebruik geen accu of gereedschap dat beschadigd of aangepast is. *Beschadigde of aangepaste accu's kunnen onvoorspelbaar reageren, wat kan leiden tot brand, explosie of het veroorzaken van letsel.*
- f) Stel een accu of gereedschap niet bloot aan vuur of extreme temperatuur. *Blootstelling aan brand of een temperatuur boven 130°C kan explosie veroorzaken.*
- g) Volg alle instructies en laad de accu of het gereedschap niet op buiten het temperatuurbereik dat vermeld is in de handleiding. *Onjuist opladen of opladen bij temperaturen buiten het aangegeven bereik kan de accu beschadigen en het risico op brand vergroten.*
- 6) Service
- a) Laat uw elektrisch gereedschap repareren door een bevoegde reparateur die alleen originele reserveonderdelen gebruikt. *Zo bent u er zeker van dat uw gereedschap veilig blijft.*

- b) Repareer nooit beschadigde accu's. *Reparatie van accu's mag alleen worden uitgevoerd door de fabrikant of geautoriseerde onderhoudstechnici.*

AANVULLENDE VEILIGHEIDSPUNTEN VOOR UW DECOUPEERZAAG

1. Houd het gereedschap vast bij de geïsoleerde handvatten als u een actie onderneemt waarbij het priemende gereedschap in contact kan komen met verborgen kabels. *Contact met een draad die onder stroom staat, zorgt ervoor dat de metalen delen van de machine ook onder stroom komen te staan, waardoor u een elektrische schok kunt krijgen.*
2. Gebruik de klemmen of bevestig op een andere praktische manier het werkstuk op een stabiele ondergrond. *Als u het werkstuk handmatig vasthoudt of tegen uw lichaam houdt, is het instabiel en kunt u de controle erover verliezen.*

SYMBOLLEN



Om het risico op letsels te beperken, moet u de gebruikershandleiding lezen



Waarschuwing



Draag oorbescherming



Draag een veiligheidsbril



Draag een stofmasker



Afgedankte elektrische producten mogen niet bij het normale huisafval terechtkomen. Breng deze producten waar mogelijk naar een recyclecentrum bij u in de buurt. Vraag de verkoper of de gemeente informatie en advies over het recyclen van elektrische apparatuur.


COMPONENTENLIJST

1. VERGRENDELKNOP
2. AAN / UIT SCHAKELAAR
3. BATTERIJPAK VRIJGEVEN KNOP*
4. BATTERIJCAPACITEITSINDICATOR *
5. BATTERIJPAK *
6. STOFADAPTER
7. BASISPLAAT INSTELHENDEL
8. CONTROLE VAN DE ACTIE VAN DE SLINGER
9. BASISPLAAT
10. ROLGIDS
11. PARALLELE GIDS
12. ZAAGBLAD
13. PARALLELGELEIDER VERGRENDELKNOP
14. MESHOUDEUR ZONDER GEREEDSCHAP
15. GEREEDSCHAP VINGERBEVEILIGING
16. MESSTEUNHENDEL ZONDER GEREEDSCHAP
17. LED-LICHT

* Niet alle afgebeelde of beschreven accessoires zijn opgenomen in de standaard levering.

TECHNISCHE GEGEVENS

Type JS20X-26 (20X-26-aanduiding van machinerie, kenmerkend voor decoupeerzaag)

Spanning		18V  (20V Max.)
Geen laadsnelheid		0-3500 /min
Testganglengte		26mm
Schuin vermogen		±45°
Snijden capaciteit	Hout	120mm
	Staal	10mm
Machinegewicht (zonder batterij)		2.12kg

GESCHIKTE BATTERIJEN

Artikelnummer	BI20-2	BI20-4
Batteri capaciteit	2.0Ah	4.0Ah
	Niet inbegrepen	Niet inbegrepen

ACCU DECOUPEERZAAG

GESCHIKTE OPLADERS

Artikelnummer	C20-2	C20-4
Ingang oplader	100-240V~50/60Hz, 55W	100-240V~50/60Hz, 95W
Uitgang oplader	20V $\overline{=}$ 2.0A	20V $\overline{=}$ 4.0A
Laadtijd (ongeveer)	1hr (2.0 Ah) 2hrs (4.0 Ah)	30mins (2.0 Ah) 60mins (4.0 Ah)
Oplader beschermingsklasse	\square /II	\square /II
	Niet inbegrepen	Niet inbegrepen

GELUIDSPRODUCTIE

A-gewogen geluidsdruk	L_{pA} : 85dB (A)
A-gewogen geluidsvermogen	L_{wA} : 93dB (A)
K_{pA} & K_{wA}	5.0dB (A)
Draag oorbescherming.	

TRILLINGSGEGEVENS

Totale trillingswaarden (som triax vector) bepaald volgens EN 62841:	
Zagen van board	Trillingsemmissie waarde: $a_{n,B} = 6.83 \text{ m/s}^2$
	Onzekerheid $K = 1.5 \text{ m/s}^2$
Zagen van metaal	Trillingsemmissie waarde: $a_{n,M} = 6.49 \text{ m/s}^2$
	Onzekerheid $K = 1.5 \text{ m/s}^2$

De gedeclareerde totale trillingswaarde en de gedeclareerde geluidsemmissiewaarde zijn gemeten volgens een standaard testmethode en kunnen worden gebruikt om één gereedschap te vergelijken met een ander. De gedeclareerde totale trillingswaarde en de gedeclareerde geluidsemmissiewaarde kunnen ook worden gebruikt bij een voorlopige beoordeling van de blootstelling.

! **WAARSCHUWING!** De trillingsemmissiewaarde tijdens het feitelijke gebruik van dit elektrisch gereedschap kan afwijken van de opgegeven waarde, afhankelijk van de wijze waarop het gereedschap wordt gebruikt, zoals in de volgende voorbeelden:

Hoe de machine gebruikt wordt en hoe het materiaal gesneden of geboord wordt.

De conditie en de onderhoudstoestand van de machine.

Gebruik van de juiste toebehoren. Zorg ervoor dat ze scherp zijn en in goede conditie.

Hoe stevig de handgreep wordt vastgehouden en of er anti-trilling en -geluidsaccessories worden gebruikt.

De machine moet gebruik worden zoals door de ontwerper bedoeld is en in overeenstemming met deze instructies.

Deze machine kan een trillingssyndroom in hand en arm veroorzaken als hij niet op de juiste wijze gehanteerd wordt.

! **WAARSCHUWING!** Voor de nauwkeurigheid moet bij een schatting van het blootstellingsniveau in de feitelijke gebruiksomstandigheden rekening worden gehouden met alle delen van de bewerking, zoals het moment dat de machine wordt uitgeschakeld en de tijden

waarop de machine loopt zonder daadwerkelijk gebruikt te worden. Dit kan het blootstellingsniveau over de totale werkperiode aanzienlijk verminderen.

Het risico op blootstelling aan trillingen en geluid verminderen.

Gebruik **ALTIJD** scherpe beitels, boren en zaagbladen.

Onderhoud de machine volgens deze instructies en houd hem goed gesmeerd (voor zover van toepassing).

Als het gereedschap regelmatig wordt gebruikt, investeer dan in anti-trilling en -geluidsaccessoires.

Plan de werkzaamheden zodat de taken met veel trillingen over een aantal dagen verspreid worden.

ACCESSORIES

Houten snijdenblad	1
Stofadapter	
Bodemdeksel	1
Parallele gids	1

We raden u aan uw accessoires te kopen in dezelfde winkel die u de tool heeft verkocht. Zie de accessoire-verpakking voor meer informatie. Winkelpersoneel kan u helpen met advies.

ACCU DECOUPEERZAAG

BEDIENINGSIN- STRUCTIES



OPMERKING: Lees de handleiding zorgvuldig door voordat u het gereedschap gebruikt.

BEOOGDE GEBRUIK

De machine is ontworpen om hout, plastic, metaal en bouwmaterialen te snijden terwijl het rusten stevig op het werkstuk. Het is geschikt voor rechte en gebogen snedes. De aanbevelingen van het zaagblad moeten worden gerespecteerd.

VOOR HET STARTEN

1. HET AANPASSEN VAN DE HAAK EN LUS SCHUREN PAPIER (NIET INBEGREPEN) (ZIE AFB. A1, A2)

Om de accu te verwijderen, drukt u eerst stevig op de ontgrendelknop van de accu en schuift u vervolgens de accu uit het gereedschap.

Om de accu te installeren, schuift u de volledig opgeladen accu met voldoende kracht op het gereedschap totdat deze op zijn plaats klikt.

2. MONTAGE DE ZAAG BLAD

OPMERKING: Verwijder de batterij uit de decoupeerzaag voordat u aanpassingen, service of onderhoud uitvoert. Draag beschermende handschoenen bij het monteren van het zaagblad.

- Plaatsen van het zaagblad (Zie afb. B1)

Om de zaagbladhouder te openen, draait u de zaagbladontgrendeling met de klok mee (decoupeerzaag ondersteboven) en houdt u deze in positie. Steek vervolgens het zaagblad volledig in de sleuf van de zaagbladhouder met de tanden van het zaagblad naar voren gericht en laat de zaagbladontgrendeling los, die zichzelf zal roteren en over de bovenkant van het zaagblad klemt. Duw het zaagblad opnieuw in de zaagbladhouder om ervoor te zorgen dat het vergrendeld is. Zorg ervoor dat de rand van het zaagblad zich in de groef van de rolgeleider bevindt.

- Verwijderen van het zaagblad (Zie afb. B2)

Om een zaagblad te verwijderen, houdt

u het zaagblad vast en draait u de zaagbladontgrendeling met de klok mee en tilt u het zaagblad eruit (het zaagblad kan door veerdruk worden uitgeworpen).



WAARSCHUWING! De tanden van het mes zijn zeer scherp. Om de beste snijdenresultaten te krijgen, moet u een mes gebruiken dat geschikt is voor het snijden van materiaal, en dat kwaliteit nodig heeft.



WAARSCHUWING! Het nieuw gebruikte zaagblad is erg heet, let op dat het afkoelt of draag beschermende handschoenen.

3. MONTAGE VAN DE PARALLELGELEIDER (ZIE AFB. C)

Draai de vergrendelknop van de parallelgeleider tegen de klok in om de gaten waarin de parallelgeleiderarm wordt gestoken te vergroten. Schuif vervolgens de parallelgeleiderarm door beide gaten en draai de vergrendelknop met de klok mee om de benodigde snijafstand te bereiken.

OPMERKING: U kunt de parallelgeleider van beide zijden monteren zoals weergegeven in Afb. C.

4. INSTALLATIE VAN DE STOFAFZUIGER (ZIE AFB. D)

Monteer de stofafzuigbuis in de opening van de bodemplaat. Zorg ervoor dat de plastic punt van de stofafzuiger in de overeenkomstige opening van de behuizing steekt.

5. WERKING VAN DE PENDULE CONTROLE (ZIE AFB. E)

De werking van de pendule varieert de snijdenhoek naar de voorkant van het blad om de snijdoel-efficiëntie te verhogen. Dit kan ook worden aangepast tijdens het niet laden loopt. Zie grafiek voor meer informatie. Gebruik geen overmatige kracht van het mes bij het snijden met de werking van de slinger. Het mes snijdt alleen de aanloop.

0	Edele materialen. Mooie sneden. Strakke rondingen.
1	Harde materialen (bijv. staal- en deeltjespanelen)
2	Dikke materialen (bijv. hout) en kunststof

3	Snelle sneden bijv. zachthout). Snijden in de richting van de houtnerf.
---	---

6. VEILIGHEIDS AAN / UIT SCHAKELAAR (ZIE AFB. F)

Om de aan/uit-schakelaar te vergrendelen, plaatst u de vergrendelknop in het midden. Dit helpt het risico op onbedoeld starten te verminderen. Druk op de vergrendelknop naar links of naar rechts en laat vervolgens de vergrendelknop los. Uw schakelaar staat nu aan. Om uit te schakelen, laat u eenvoudig de aan/uit-schakelaar los.

OPMERKING: De LED-verlichting verlicht automatisch het werkgebied wanneer het product is ingeschakeld.



WAARSCHUWING! DKijk niet rechtstreeks in het LED-licht!

- Variabele snelheidsregeling

De aan/uit-schakelaar is ook een variabele snelheidsgergelde trekschakelaar. De snelheid kan worden aangepast van minimum tot maximum door de druk die u op de aan/uit-schakelaar uitoefent. Oefen meer druk uit om de snelheid te verhogen en laat de druk los om de snelheid te verlagen.

7. RECHTE SNEDE EN GEBOGEN SNEDE (ZIE AFB. G1, G2)

De decoupeerzaag kan in een rechte lijn snijden of volgens de gewenste curve.

8. DE VERORDENING VAN DE BASISPLAATHOEK (ZIE AFB. H1-H3)

OPMERKING: Verwijder de stofafzuiger voordat u de bodemplaat aanpast.

OPMERKING: Draai de bodemplaat naar de gewenste positie volgens de schaal. Zorg ervoor dat het zaagblad tussen het zaagbladpositioneringswiel is geplaatst. Om de hoek van de bodemplaat aan te passen, draait u de hendel voor de instelling van de bodemplaat naar voren om de bodemplaat te ontgrendelen. Duw de bodemplaat iets naar voren, zodat de lijnen van de hoek op de bodemplaat en de hoekplaat samenvallen op de gewenste hoek (0°, 15°, 30°, 45°). Trek de bodemplaat terug om deze vast te zetten.

Voor andere verstekhoeken draait u naar de gewenste hoek (gebruik een gradenboog). Draai vervolgens de schakelaar voor de instelling van de bodemplaat achteruit om de bodemplaat op die hoek vast te zetten. Controleer ten slotte de hoek en zorg ervoor dat de bodemplaat stevig is vastgeklemd.

OPMERKING: De hoekmarkeringen op de bodemplaat zijn nauwkeurig voor de meeste algemene doeleinden, maar voor nauwkeurig werk wordt aanbevolen om de hoek met een gradenboog in te stellen en een testsnede te maken op ander materiaal.

9. VINGERBESCHERMING

De vingerbescherming bevindt zich voor de bladhouder.

Tijdens het werk zal dit helpen voorkomen dat per ongeluk contact met het bewegende mes.

WERKEN TIPS VOOR UW JIG ZAAG

Als een jigzaag te heet wordt, vooral bij lage snelheid, de maximale laadsnelheid ingesteld en niet voor 2-3 minuten om de motor te koelen. Vermijd langdurig gebruik bij zeer lage snelheden.

ALGEMENE

Gebruik altijd een bladmateriaal en aangepast aan de dikte van het te snijden materiaal. Zorg er altijd voor dat het werkstuk stevig vastzit of om beweging te voorkomen. Om de controle te vergemakkelijken, gebruik de lage snelheid om te beginnen met snijden en vervolgens te verhogen tot de juiste snelheid.

Elke beweging van materiaal kan de kwaliteit van de snede beïnvloeden. Het blad snijdt de run naar boven en kan het bovenoppervlak of het oppervlak van werkstuk . Zorg ervoor dat het bovenoppervlak zichtbaar is wanneer hun werk wordt gedaan.

SNIJDEN LAMINAAT

Gebruik een eindtandblad om de meerderheid van dunne laminaat en houtmaterialen te verminderen. Om randspannen te verminderen, bevestigen de stukken van het afvalhout beide

ACCU DECOUPEERZAAG

kanten aan beide kanten en snijden het afvalhout tijdens het snijden.

RONDE SNIJDEN

Gebruik de slingeractie niet om cirkels of smalle hoeken te snijden.

INVALZAGEN (ZIE AFB. I1, I2)

Inval snijden kan alleen worden gebruikt op zachte materialen zoals hout, celbeton, gipsplaten, enz. Gebruik alleen korte zaagbladen. Plaats de voorrand van de bodemplaat op het werkstuk en schakel. Druk de machine stevig tegen het stuk en dompel het zaagblad langzaam in de kamer. Zodra het volledige oppervlak van de bodemplaat op het werkstuk, blijft u langs de snijden lijn te zien.

METAAL SNIJDEN

Gebruik een dunner tandplaat voor ijzeren platen en een dikte van tanden voor non-ferrometalen. Een dunne snijplaat, het hout altijd subjectaan aan beide zijden van de plaat om trillingen of scheuren van de metalen plaat te verminderen.

Zowel hout als metaalblad moeten worden gesneden. Dwing het snijdenblad niet om de dunne stalen of metalen plaat te snijden, en dat is steeds meer tijd om materialen te snijden. Overmatige bladsterkte kan de levensduur verkorten of de motor beschadigen. Om de warmte te verminderen bij het snijden van metaal, voeg een beetje smeermiddel langs de snijdenlijn.

ONDERHOUD

Verwijder het accu uit het gereedschap voordat u aanpassingen of onderhoudswerkzaamheden uitvoert. Dit gereedschap bevat geen onderdelen die door de gebruiker dienen te worden onderhouden. Gebruik nooit water of chemische reinigingsmiddelen voor het schoonmaken van uw elektrische gereedschap. Veeg schoon met een droge doek. Bewaar uw elektrische gereedschap altijd op een droge plaats. Houd de ventilatieopeningen van de motor schoon. Houd alle bedieningselementen vrij van stof. Af en toe ziet u vonken in de ventilatiegleuven. Dit is normaal en zal uw gereedschap niet beschadigen.

VOOR GEREEDSCHAP MET ACCU'S

De omgevingstemperatuur voor het gebruik en de opslag van het gereedschap ligt tussen 0°C-45°C.

De aanbevolen omgevingstemperatuur voor het oplaadsysteem tijdens het opladen ligt tussen 0°C-40°C.

BESCHERMING VAN HET MILIEU



Afgedankte elektrische producten mogen niet bij het normale huisafval terechtkomen. Breng deze producten waar mogelijk naar een recyclecentrum bij u in de buurt. Vraag de verkoper of de gemeente informatie en advies over het recyclen van elektrische apparatuur.

EC Verklaring van Overeenstemming



Wij : **HYUNDAI Corporation Holdings Europe**
Am Kronberger Hang 2A, 65824, Schwalbach am Taunus
Germany

Verklaren dat het onderstaande product :
Accu decoupeerzaag

MODEL : JS20X-26
FUNCTIE : Verschillende materialen zagen

Voldoet aan de vereisten van de richtlijnen van de Raad :
2006/42/EC, 2014/30/EU
2011/65/EU & (EU)2015/863

Normen voldoen aan :
EN 62841-1, EN 62841-2-11,
EN IEC 55014-1, EN IEC 55014-2,
EN IEC 63000

De persoon die bevoegd is om het technisch dossier samen te stellen,
Naam : **Hyundae Kim**
Adres : **HYUNDAI Corporation Holdings Europe**
65824 Schwalbach am Taunus, Germany

Algemeen directeur

Jaiwon Hur


Projectmanager

Sungwoo Hong

Datum : 2024.09.25

FIERĂSTRĂU PENDULAR CU ACUMULATOR

INSTRUCȚIUNI ORIGINALE SECURITATEA PRODUSULUI AVERTISMENTE GENERALE DE SIGURANȚĂ PENTRU UNELTE ELECTRICE

 **ATENȚIONARE!** Citiți toate atenționările de siguranță și parcurgeți toate instrucțiunile, ilustrațiile și specificațiile atașate acestei scule electrice. Nerespectarea tuturor instrucțiunilor enumerate mai jos poate duce la electrocutare, incendiu și/ sau leziune corporală gravă.

Păstrați toate avertismentele și instrucțiunile pentru consultări ulterioare.

Termenul „unealtă electrică” din avertismente se referă la o unealtă electrică alimentată de la rețeaua de energie electrică (prin cablu) sau la o unealtă electrică alimentată de la un acumulator (fără cablu).

1. Siguranța zonei de lucru

- Mențineți zona de lucru curată și bine iluminată.** Zonele de lucru în dezordine și întunecoase favorizează accidentele.
- Nu utilizați uneltele electrice în atmosfere explozive, de exemplu în prezența unor lichide, gaze sau praf inflamabile.** Uneltele electrice provoacă scânteii ce pot aprinde pulberea sau vaporii.
- Asigurați-vă că nu sunt în apropiere persoane și copii în timpul funcționării unei unelte electrice.** Distragerea atenției poate duce la pierderea controlului uneltei.

2. Siguranța electrică

- Fișele uneltei electrice trebuie să se potrivească perfect în priză de alimentare.** Nu modificați niciodată ștecherul. Nu folosiți niciun adaptor pentru uneltele electrice cu împământare. Utilizarea ștecherelor nemodificate în prize corespunzătoare va reduce riscul electrocutării.

- Evitați contactul fizic cu suprafețe cu legătură la pământ, cum ar fi țevi, radiatoare, mașini de gătit sau frigider.** Riscul electrocutării este mai mare în cazul în care corpul dumneavoastră vine în contact cu suprafața împământată.
- Nu expuneți uneltele electrice la ploaie sau la umiditate.** Dacă intră apă în unealta electrică, riscul electrocutării este mai mare.
- Nu deteriorați cablul de alimentare.** Nu folosiți niciodată cablul pentru transportarea, tragerea sau scoaterea din priză a uneltei electrice. Păstrați cablul de alimentare la distanță de căldură, ulei, margini ascuțite sau părți mobile. Cablurile deteriorate sau încurcate măresc riscul electrocutării.
- Când folosiți unealta electrică în exterior, utilizați un prelungitor potrivit pentru utilizarea în exterior.** Utilizarea unui cablu potrivit pentru uzul în exterior reduce riscul electrocutării.
- Dacă utilizarea uneltei electrice într-un loc umed nu poate fi evitată, folosiți o alimentare protejată cu dispozitiv de curent rezidual (RCD).** Folosirea unui dispozitiv RCD reduce riscul electrocutării.

3. Siguranța personală

- Fiți concentrat, urmăriți ceea ce faceți și dați dovadă de simț practic când folosiți o unealtă electrică.** Nu folosiți o unealtă electrică dacă sunteți obosit sau sub influența drogurilor, a alcoolului sau a medicamentelor. O clipă de neatenție în timpul funcționării uneltei electrice poate duce la accidentări personale grave.
- Folosiți echipament personal de protecție. Purtați întotdeauna ochelari de protecție.** Echipamentele de protecție precum masca de protecție contra prafului, încălțăminte cu talpă antiderapantă, casca sau protecția pentru urechi vor reduce riscul accidentărilor, utilizate în mod corespunzător.
- Preveniți punerea accidentală în funcțiune.** Asigurați-vă că întrerupătorul se află în poziția de oprire înainte de a face conectarea la sursa de alimentare și/sau la acumulator, înainte de a ridica sau a transporta unealta. Transportarea

uneltelor electrice ținând degetul pe întrerupător sau alimentarea acestora cu întrerupătorul pornit poate duce la accidentări.

- d) **Scoateți orice cheie de reglare sau cheie de piulițe înainte de a porni unealta electrică.** *O cheie de piulițe sau o altă cheie rămasă prinsă de o componentă rotativă a uneltei poate duce la rănirea personală.*
- e) **Păstrați un echilibru corect. Mențineți-vă permanent echilibrul și sprijiniți-vă ferm pe picioare.** *Acest lucru permite un control mai bun al uneltei electrice în situații neprevăzute.*
- f) **Îmbrăcați-vă corespunzător. Nu purtați îmbrăcăminte prea largă sau bijuterii. Țineți la distanță părul și hainele dvs. de piesele în mișcare ale uneltei electrice.** *Hainele prea largi, bijuteriile și părul lung se pot prinde în piesele mobile.*
- g) **Dacă sunt furnizate accesorii pentru conectarea unor dispozitive de aspirare și colectare a prafului, asigurați-vă că acestea sunt montate și folosite corect.** *Folosirea colectorului de praf poate reduce riscul accidentărilor din cauza prafului.*
- h) **Nu lăsați ca odată cu familiarizarea dvs. cu utilizarea uneltei să deveniți indolenți și să uitați respectarea principiilor de siguranță ale uneltei electrice.** *Orice acțiune nesăbuită poate duce la leziuni corporale grave într-o fracțiune de secundă.*

4. Utilizarea și întreținerea uneltelor electrice

- a) **Nu forțați unealta electrică. Folosiți unealta electrică potrivită pentru aplicație.** *Cu unealta electrică potrivită, veți lucra mai bine și mai în siguranță, la viteza pentru care a fost concepută.*
- b) **Nu folosiți unealta electrică dacă nu o puteți porni sau opri de la întrerupător.** *Orice unealtă electrică ce nu poate fi acționată de la întrerupător este periculoasă și trebuie reparată.*
- c) **Scoateți ștecherul din sursa de curent și/ sau scoateți bateria din unealta electrică înainte de a efectua reglaje, de a schimba accesoriile sau de a depozita uneltele electrice.** *Astfel de măsuri de siguranță*

reduc riscul pornirii accidentale a uneltei electrice.

- d) **Nu lăsați uneltele electrice la îndemâna copiilor și nu permiteți persoanelor ce nu știu să le manevreze și nu cunosc instrucțiunile să acționeze aceste unelte.** *Uneltele electrice sunt periculoase în mâinile utilizatorilor neinstruiți.*
 - e) **Întreținerea uneltei electrice și ale accesoriilor aferente. Verificați posibila aliniere incorectă sau posibila blocare a componentelor mobile, deteriorarea componentelor sau orice alte situații care pot afecta funcționarea uneltei electrice.** *Dacă unealta electrică este deteriorată, reparați-o înainte de utilizare.* *Multe accidente sunt provocate din cauza întreținerii incorecte a uneltelor.*
 - f) **Uneltele de tăiere trebuie menținute ascuțite și curate.** *Riscul blocării uneltelor de tăiere cu margini ascuțite întreținute corect este mai mic și acestea sunt mai ușor de controlat.*
 - g) **Folosiți unealta electrică, accesoriile, piesele etc. conform acestor instrucțiuni, luând în considerare condițiile de lucru și operația de efectuat.** *Folosirea uneltei electrice pentru operații diferite de cele pentru care a fost concepută poate duce la accidentare.*
 - h) **Păstrați uscate, curate și fără urme de ulei sau grăsime mânerul și suprafețele de apucare ale uneltei.** *Mânerul și suprafețele de apucare alunecoase împiedică manipularea și controlul sigur al uneltei tocmai în cele mai neașteptate situații.*
- #### 5. Utilizarea și întreținerea uneltelor cu acumulatori
- a) **Efectuați reîncărcarea numai cu încărcătorul specificat de producător.** *Un încărcător adecvat pentru un anumit tip de acumulator poate prezenta risc de incendiu dacă este utilizat cu alt tip de acumulator.*
 - b) **Folosiți mașinile electrice numai cu acumulatorii special destinați acestora.** *Utilizarea oricăror altor acumulatori poate prezenta risc de rănire și de incendiu.*
 - c) **Când nu folosiți acumulatorul, țineți-l**

FIERĂSTRĂU PENDULAR CU ACUMULATOR

la distanță de obiecte metalice precum agrafe de birou, monede, chei, cuie, șuruburi sau alte obiecte metalice mici, ce pot constitui o legătură între cele două borne. *Un scurtcircuit al bornelor acumulatorului poate duce la arsuri sau incendii.*

- d) **În condiții necorespunzătoare de utilizare, se poate prelinge lichid din acumulator; evitați contactul. În caz de producere accidentală a contactului, clătiți bine cu apă. Dacă v-a intrat lichid în ochi, consultați imediat medicul. Lichidul expulzat din acumulator poate cauza iritații sau arsuri.**
- e) **Nu utilizați acumulatorul sau scula dacă acestea sunt deteriorate sau modificate. Acumulatorii deteriorați sau modificați se pot comporta într-un mod impredictibil, crescând riscul unui incendiu, unei explozii sau leziunilor corporale.**
- f) **Evitați expunerea la foc și la temperaturi excesive a acumulatorului sau a sculei. Expunerea la foc sau la temperaturi care depășesc 130°C poate duce la explozie.**
- g) **Respectați toate instrucțiunile de încărcare și nu încărcați acumulatorul sau scula decât în plaja de temperaturi specificată în instrucțiuni. Reîncărcarea necorespunzătoare sau la temperaturi din afara plajei de temperaturi specificate poate duce la deteriorarea acumulatorului și la creșterea riscului de incendiu.**

6. Service

- a) **Service-ul uneltei electrice trebuie efectuat de persoane calificate, folosind doar piese de schimb originale. Acest lucru va asigura folosirea în continuare a uneltei electrice în siguranță.**
- b) **Nu reparați niciodată acumulatorii deteriorați. Service-ul acumulatorilor trebuie efectuat numai de către fabricant sau de centre de service autorizate.**

AVERTISMENTE PRIVIND SIGURANȚA PENTRU FERĂSTRĂUL MECANIC

- Țineți unealta electrică de suprafețele de prindere izolate atunci când efectuați o operațiune în care accesoriul de tăiere poate intra în contact cu fire ascunse. Accesoriul de debitare care intră în contact cu un cablu sub tensiune poate descoperi părțile metalice ale acestuia și poate provoca electrocutarea operatorului.**
- Utilizați cleme de fixare sau vreun alt mod practic de a fixa și a sprijini piesa de prelucrat pe o platformă stabilă. Apucarea și imobilizarea piesei de prelucrat cu mâna sau sprijinirea ei de corpul dvs. nu reprezintă o fixare sigură a acesteia, și poate duce la pierderea controlului asupra piesei.**

SIMBOLURI



Pentru a reduce riscul de accidentări, utilizatorul trebuie să citească manualul de instrucțiuni



Atenționare



Purtați echipament de protecție pentru urechi



Purtați echipament de protecție pentru ochi



Purtați mască de protecție contra prafului



Produsele electrice nu trebuie depuse la deșeurile împreună cu gunoierul menajer. Vă rugăm să depuneți produsele electrice la unitățile de reciclare existente. Consultați-vă cu autoritățile locale sau cu distribuitorul pentru sfaturi privind reciclarea.



LISTA COMPONENTELOR

1. BUTON DE BLOCARE
2. COMUTATOR DE PORNIRE/OPRIRE
3. BUTON ELIBERARE ACUMULATORI *
4. INDICATOR DE CAPACITATE A BATERIEI *
5. ACUMULATORI *
6. ADAPTOR PRAF
7. MANETĂ DE REGLARE A PLĂCII DE BAZĂ
8. CONTROLUL ACȚIUNII PENDULULUI
9. PLACĂ DE BAZĂ
10. GHIDAJ CU ROLE
11. GHIDAJ PARALEL
12. LAMĂ DE FIERĂSTRĂU
13. BUTON DE BLOCARE A GHIDULUI PARALEL
14. SUPORT DE FIXARE A LAMEI FĂRĂ UNELTE
15. UNEALTĂ DE PROTECȚIE A DEGETELOR
16. MANETĂ A SUPORTULUI DE FIXARE A LAMEI FĂRĂ UNELTE
17. BEC LED

* Nu toate accesoriile ilustrate sau descrise sunt incluse în furnitura standard.

DATE TEHNICE

Tip JS20X-26 (20X-26-denumirea aparatului, reprezentativă pentru fierăstrăul mecanic)

Tensiune nominală		18V  (20V Max.) 
Viteză fără sarcină		0-3500 /min
Lungimea cursei		26mm
Capacitatea de șanfrenare		±45°
Capacitatea de tăiere	Lemn	120mm
	Oțel	10mm
Greutatea mașinii (fără baterie)		2.12kg

PACHETE DE BATERII POTRIVITE

Număr de articol	BI20-2	BI20-4
Capacitatea acumulatorului	2.0Ah	4.0Ah
	Nu este inclus	Nu este inclus

FIERĂSTRĂU PENDULAR CU ACUMULATOR

ÎNCĂRCĂTOARE POTRIVITE

Număr de articol	C20-2	C20-4
Intrare încărcător	100-240V~50/60Hz, 55W	100-240V~50/60Hz, 95W
Ieșire încărcător	20V $\overline{=}$ 2.0A	20V $\overline{=}$ 4.0A
Timp de încărcare (aproximativ)	1hr (2.0 Ah) 2hrs (4.0 Ah)	30mins (2.0 Ah) 60mins (4.0 Ah)
Clasa de protecție a încărcătorului	\square /II	\square /II
	Nu este inclus	Nu este inclus

INFORMAȚII PRIVIND ZGOMOTUL

Presiune sonică ponderată	L_{pA} : 85dB (A)
Putere acustică ponderată	L_{wA} : 93dB (A)
K_{pA} & K_{wA}	5.0dB (A)
Purtați echipament de protecție pentru urechi.	

INFORMAȚII PRIVIND VIBRAȚIILE

Valori totale vibrații (sumă vectorială triaxială) determinată conform EN 62841:	
Tăierea plăcilor	Valoare emisii de vibrații: $a_{h,B} = 6.83 \text{ m/s}^2$
	Marjă de eroare $K = 1.5 \text{ m/s}^2$
Tăierea tablei metalice	Valoare emisii de vibrații: $a_{h,M} = 6.49 \text{ m/s}^2$
	Marjă de eroare $K = 1.5 \text{ m/s}^2$

Aloarea totală declarată pentru vibrații și pentru zgomot a fost măsurată în concordanță cu metoda de testare standard și poate fi utilizată și la compararea a două unelte.

Valoarea totală declarată pentru vibrații și pentru zgomot poate fi utilizată și la evaluarea preliminară a expunerii la acestea.

ATENȚIONARE! Nivelul emisiilor de vibrații și de zgomot în timpul utilizării reale a unelei poate să difere de valorile declarate, aceste valori fiind în funcție de modalitățile de utilizare ale sculei, dar mai ales de felul piesei prelucrate cu unealta. Iată în continuare niște exemple de utilizare care conduc la apariția diferențelor de valori:

Modul în care scula este folosită și tipul de materiale tăiate sau sfredelite.

Scula este în stare bună de funcționare și bine întreținută.

Folosirea accesoriului corect pentru sculă și păstrarea acesteia în condiții bune.

Forța de apucare a mânerelor și dacă s-a utilizat vreun accesoriu de reducere a vibrațiilor și a zgomotului.

Scula este folosită conform indicațiilor din fabrică și conform acestor instrucțiuni.

Această sculă poate cauza sindromul vibrație mână-braț dacă nu este folosită în mod corespunzător.

ATENȚIONARE! Pentru a fi corectă, estimarea nivelului de expunere în condiții concrete de folosire trebuie să ia în considerare toate părțile ciclului de operare cum ar fi de câte ori scula

este oprită și cât timp este pornită dar nu lucrează. Acest lucru poate reduce semnificativ nivelul de expunere de-a lungul perioadei de lucru totale.

Minimalizarea riscului de expunere la vibrații și la zgomot.

Folosiți ÎNTOTDEAUNA dalte, burghiuri și lame ascuțite.

Păstrați acest aparat în conformitate cu aceste instrucțiuni și păstrați-l bine gresat (dacă e cazul).

Dacă unealta va fi utilizată în mod regulat, atunci nu ezitați să investiți în procurarea de accesorii antivibrație și antizgomot.

Planificați-vă programul de lucru pentru a folosi sculele cu număr mare de vibrații de-a lungul a mai multe zile.

ACCESORII

Lamă de tăiat lemn	1
Adaptor praf	
Capacul de bază	1
Ghidaj paralel	1

Vă recomandăm să achiziționați accesorii de la același magazin de la care ați cumpărat unealta. Consultați ambalajul accesoriului pentru detalii suplimentare. Personalul din magazin vă poate oferi asistență și sfaturi.

FIERĂSTRĂU PENDULAR CU ACUMULATOR

INSTRUCȚIUNI DE OPERARE



NOTĂ: Înainte de a utiliza unealta, citiți cu atenție manualul de instrucțiuni.

UTILIZAREA RECOMANDATĂ

The machine is intended for sawing wood, plastic, metal and building materials while resting firmly on the workpiece. Este potrivit pentru tăieturi drepte și curbate. The saw blade recommendations are to be observed.

ÎNAINTE DE PUNEREA ÎN FUNCȚIUNE

1. PENTRU A ÎNDEPĂRTA SAU INSTALA PACHETUL DE BATERII (A SE VEDEA FIG. A1, A2)

Pentru a îndepărta pachetul de baterii, apăsați ferm butonul de eliberare a pachetului de baterii, apoi glisați pachetul de baterii din unelte. Pentru a instala pachetul de baterii, glisați pachetul de baterii complet încărcat pe unelte cu suficientă forță până când se fixează în poziție.

2. MONTAREA LAMEI DE FIERĂSTRĂU

NOTĂ: Îndepărtați pachetul de baterii din fierăstrăul pendular înainte de a efectua orice ajustare, întreținere sau mentenanță. Purtați mănuși de protecție atunci când asamblați lama de ferăstrău.

- Introducerea lamei de ferăstrău (A se vedea Fig. B1)

Pentru a deschide suportul lamei, rotiți butonul de eliberare a lamei în sensul acelor de ceasornic (ferăstrău pendular cu susul în jos) și mențineți în poziție. Apoi introduceți complet lama în slotul suportului de lame cu dinții lamei orientați înainte și eliberați butonul de eliberare a lamei, care se va roti și se va fixa deasupra lamei. Împingeți lama în suportul de lame din nou pentru a vă asigura că este blocată în poziție. Asigurați-vă că marginea lamei este situată în canalul ghidului cu role.

- Îndepărtarea lamei de ferăstrău (A se vedea Fig. B2)

Pentru a îndepărta o lamă, țineți lama și rotiți butonul de eliberare a lamei în sensul acelor de

ceasornic, apoi ridicați lama (lama ar putea să fie ejectată prin arc).



ATENȚIONARE! Dinții lamelor sunt foarte ascuțiți. Pentru rezultate de tăiere optime, utilizați o lamă potrivită materialului și calității de tăiere dorite.



ATENȚIONARE! Lama de ferăstrău folosită recent este foarte fierbinte, vă rugăm să aveți grijă să o lăsați să se răcească sau să purtați mănuși de protecție.

3. MONTAREA GHIDULUI PARALEL (A SE VEDEA FIG. C)

Înșurubați butonul de blocare a ghidului paralel în sens invers acelor de ceasornic pentru a mări găurile în care este introdus brațul ghidului paralel. Apoi glisați brațul ghidului paralel prin ambele găuri și strângeți butonul de blocare în sensul acelor de ceasornic pentru a obține distanța de tăiere necesară.

NOTĂ: Puteți monta ghidul paralel de ambele părți, așa cum este indicat în Fig. C.

4. INSTALAREA ADAPTORULUI DE PRAF (A SE VEDEA FIG. D)

Montați tubul adaptorului de praf în deschizătura plăcii de bază. Asigurați-vă că vârful plastic al adaptorului de praf se încadrează în deschizătura corespunzătoare de pe carcasă.

5. CONTROLUL ACȚIUNII PENDULULUI (A SE VEDEA FIG. E)

Acțiunea pendulului variază unghiul de tăiere înainte al lamei pentru o eficiență sporită de tăiere. Acesta poate fi ajustat și în timpul funcționării fără sarcină. Consultați tabelul pentru detalii suplimentare. Nu aplicați forță excesivă asupra lamei atunci când tăiați cu acțiunea pendulului. Lama taie numai în cursă scendentă.

0	Materiale subțiri. Tăieturi fine. Curbe strânse.
1	Materiale dure (de ex., oțel și PAL)
2	Materiale groase (de ex., lemn) și plastic
3	Tăieturi rapide (de ex., lemn de esență moale). Tăiere în direcția texturii lemnului.

6. OMTATORUL DE PORNIRE/OPRIRE DE SIGURANȚĂ (A SE VEDEA FIG. F)

Pentru a bloca comutatorul pornit/oprit, apăsați butonul de blocare în poziția centrală. Acest lucru ajută la reducerea posibilității de pornire accidentală atunci când nu este în uz. Apăsând butonul de blocare spre stânga sau spre dreapta, apoi comutați comutatorul pornit/oprit și eliberați butonul de blocare. Comutatorul dvs. este acum pornit. Pentru a opri, eliberați doar comutatorul pornit/oprit.

NOTĂ: Lumina LED va ilumina automat zona de lucru atunci când produsul este pornit.



ATENȚIONARE! Nu priviți direct în lumina LED!

- Controlul vitezei variabile

Comutatorul pornit/oprit este de asemenea un comutator de trageri cu viteză variabilă controlată. Viteza poate fi ajustată de la minim la maxim prin presiunea pe care o aplicați pe comutatorul pornit/oprit. Aplicați mai multă presiune pentru a crește viteza și eliberați presiunea pentru a reduce viteza.

7. TĂIERE DREAPTĂ ȘI CURBATĂ (A SE VEDEA FIG. G1, G2)

Fierăstrăul pendular poate tăia într-o linie dreaptă sau poate tăia conform curbei dorite.

8. REGLAREA UNGHIULUI PLĂCII DE BAZĂ (A SE VEDEA FIG. H1-H3)

NOTĂ: Îndepărtați adaptorul de praf înainte de a ajusta placa de bază.

NOTĂ: Rotiți placa de bază în poziția dorită conform scarării. Asigurați-vă că lama este angrenată între roata de poziționare a lamei. Pentru a ajusta unghiul plăcii de bază, rotiți maneta de reglare a plăcii de bază înainte pentru a debloca placa de bază. Împingeți ușor placa de bază înainte, astfel încât liniile unghiului de pe placa de bază și placa unghiulară să se suprapună la unghiul dorit (0°, 15°, 30°, 45°). Trageți înapoi placa de bază pentru a o strânge. Pentru alte unghiuri de tăiere în diagonală, rotiți la unghiul dorit (folosiți o scară unghiulară). Apoi rotiți comutatorul de reglare a plăcii de bază înapoi pentru a bloca placa de bază la acel unghi. În final, verificați unghiul și asigurați-vă că placa de bază este

ferm fixată.

NOTĂ: Marcajele de unghiuri de pe placa de bază sunt precise pentru cele mai multe scopuri generale, dar se recomandă să setați unghiul cu un gradator și să faceți o tăietură de test pe alt material pentru un lucru precis.

9. PROTECȚIA DEGETELOR

Protecția pentru degete este amplasată în fața suportului lamei. În timp ce lucrați, va ajuta la prevenirea contactului accidental cu lama în mișcare.

SFATURI DE LUCRU PENTRU FIERĂSTRĂUL MECANIC

Dacă fierăstrăul mecanic se încălzește excesiv, mai ales când este utilizat la viteză mică, setați viteza la maxim și rulați fără sarcină timp de 2-3 minute pentru a răci motorul. Evitați utilizarea prelungită la viteze foarte mici.

GENERALITĂȚI

Folosiți întotdeauna o lamă adecvată materialului și grosimii materialului de tăiat. Asigurați-vă întotdeauna că piesa de prelucrat este bine ținută sau fixată pentru a preveni mișcarea. Pentru un control mai ușor, utilizați viteza redusă pentru a începe tăierea, apoi creșteți la viteza adecvată.

Orice mișcare a materialului poate afecta calitatea tăieturii. Lama taie în cursă ascendentă și poate să ciupească suprafața sau fața superioară a piesei de prelucrat. Asigurați-vă că suprafața superioară este o suprafață nevizibilă după finisarea piesei.

TĂIEREA LAMINATELOR

Utilizați o lamă cu dinți fini atunci când tăiați majoritatea laminatelor și materialelor subțiri din lemn. Pentru a reduce așchiera marginilor, prindeți bucăți de deșeuri de lemn la ambele capete, de ambele părți, și tăiați prin deșeurile de lemn în timpul tăierii piesei.

TĂIEREA CIRCULARĂ

Nu utilizați acțiunea pendulului atunci când tăiați cercuri sau unghiuri strânge.

FIERĂSTRĂU PENDULAR CU ACUMULATOR

TĂIEREA PRIN AFUNDARE (A SE VEDEA FIG. 11, 12)

Tăierea prin afundare poate fi utilizată numai pe materiale moi, cum ar fi lemn, BCA, plăci de ipsos etc.

Utilizați numai lame de fierăstrău scurte. Așezați marginea frontală a plăcii de bază pe piesa de prelucrat și porniți mașina.

Apăsați ferm mașina împotriva piesei de prelucrat și introduceți lama fierăstrăului încet în piesa de prelucrat.

De îndată ce suprafața completă a plăcii de bază se sprijină pe piesa de lucru, continuați să tăiați de-a lungul liniei de tăiere.

TĂIEREA METALULUI

Folosiți o lamă cu dinți mai fini pentru metalele feroase și o lamă cu dinți grosieri pentru metalele neferoase.

Când tăiați tablă subțire, prindeți întotdeauna bucăți de lemn pe ambele părți ale tablei pentru a reduce vibrațiile sau evita ruperea tablei. Atât bucățile de lemn, cât și tablele trebuie tăiate.

Nu forțați lama de tăiere atunci când tăiați metal subțire sau tablă de oțel, deoarece acestea sunt materiale mai dure și tăierea va dura mai mult timp. Forța excesivă aplicată asupra lamei poate reduce durata de viață a lamei sau poate deteriora motorul.

Pentru a reduce încălzirea în timpul tăierii metalelor, adăugați puțin lubrifiant de-a lungul liniei de tăiere.

ÎNTREȚINEREA

Scoateți acumulatorul din unealtă înainte de a efectua orice ajustări, operațiuni de service sau întreținere.


Unealta dumneavoastră nu necesită lubrifiere sau întreținere suplimentară. Interiorul uneltei electrice nu conține piese care pot fi deparate de către utilizator. Nu utilizați niciodată apă sau agenți chimici de curățare pentru curățarea uneltei electrice. Ștergeți unealta cu o cârpă uscată. Depozitați întotdeauna unealta într-un loc uscat. Mențineți fantele de aerisire a motorului curate. Feriți de praf toate comenzile de lucru. Ocazional, puteți observa scântei prin fantele de aerisire. Acest lucru este normal și nu va defecta unealta electrică.

CONSIDERAȚII PRIVIND UNELTELE ALIMENTATE CU ACUMULATOR

Plaja temperaturii ambientale în care se poate utiliza și stoca unealta electrică și acumulatorul, este cuprinsă între 0-45°C.

Plaja temperaturii ambientale în care se poate utiliza sistemul de reîncărcare și se poate reîncărca acumulatorul, este cuprinsă între 0-40°C.

PROTECȚIA MEDIULUI

 Produsele electrice nu trebuie depuse la deșuri împreună cu gunoiul menajer. Vă rugăm să depuneți produsele electrice la unitățile de reciclare existente. Consultați-vă cu autoritățile locale sau cu distribuitorul pentru sfaturi privind reciclarea.

EC Declarație de Conformitate



Noi : HYUNDAI Corporation Holdings Europe
Am Kronberger Hang 2A, 65824, Schwalbach am Taunus
Germany

Declarăm că produsul detaliat mai jos :
Fierăstrău pendular cu acumulator

MODEL : JS20X-26
FUNCȚIE : Tăierea unor diverse materiale

Satisface cerințele directivelor Consiliului :
2006/42/EC, 2014/30/EU
2011/65/EU & (EU)2015/863

Corespunde standardelor :
EN 62841-1, EN 62841-2-11,
EN IEC 55014-1, EN IEC 55014-2,
EN IEC 63000

Persoana împuternicită să întocmească dosarul tehnic,
Nume : Hyundae Kim
Abordare : HYUNDAI Corporation Holdings Europe
65824 Schwalbach am Taunus, Germany

RO

Director general

Jaiwon Hur


Manager de proiect

Sungwoo Hong

Data : 2024.09.25

AKKUMULÁTOROS DEKOPÍRFŰRÉSZ

EREDETI HASZNÁLATI UTASÍTÁS TERMÉKBIZTONSÁG ELEKTROMOS KÉZISZERSZÁMOK BIZTONSÁGOS HASZNÁLATÁVAL KAPCSOLATOS ÁLTALÁNOS FIGYELMEZTETÉSEK

 **FIGYELEM!** Olvassa el az összes, ehhez az elektromos kéziszerszámmal mellékelte biztonsági figyelmeztetést, utasítást és részletes ismertetést, illetve tekintse meg az ábrákat. Az alább felsorolt utasítások bármelyikének figyelmen kívül hagyása áramütést, tüzet és/vagy súlyos testi sérüléseket eredményezhet.

Őrizzen meg minden figyelmeztetést és utasítást, a jövőben szüksége lehet ezekre. A figyelmeztetésekben használt „elektromos kéziszerszám” kifejezés az ön hálózatról üzemeltetett (vezetékes) elektromos kéziszerszámmal vagy akkumulátoros (vezeték nélküli) elektromos kéziszerszámmal vonatkozik.

1. A munkaterület biztonsága

- A munkaterületet tartsa tisztán és jól megvilágítva.** A zsúfolt vagy sötét munkaterület balesetveszélyhez vezethet.
- Ne üzemeltessen elektromos kéziszerszámot robbanékony légkörben,** például gyúlékony folyadékok, gázok vagy por jelenléte mellett. Az elektromos kéziszerszámok használata során szikrák keletkeznek, amelyek hatására a por vagy gáz kigyulladhat.
- Elektromos kéziszerszámok működtetése közben tartsa távol a gyermekeket és báméskodókat.** A figyelem elterelése kontrollvesztést eredményezhet.

2. Elektromos biztonság

- Az elektromos kéziszerszámok dugójának illeszkednie kell a dugaljba.** Soha, semmilyen módon ne módosítsa a dugót.

Földelt elektromos kéziszerszámokkal ne használjon adaptert. *Ha nem módosított dugókat és megfelelő dugaljat használ, azzal csökkenti az áramütés kockázatát.*

- Ne érintse meg a földelt felületeket,** például csöveket, radiátorokat, tűzhelyeket vagy hűtőszekrényeket. *Ha a test földelt, nagyobb az áramütés kockázata.*
- Ne tegye ki esőnek vagy nedves körülményeknek az elektromos kéziszerszámokat.** *Ha egy elektromos kéziszerszámba víz kerül, megnő az áramütés kockázata.*
- Vigyázzon a szerszám kábelére.** Soha ne hordozza, húzogassa vagy húzza ki az áramból az elektromos kéziszerszámot a kábelnél fogva. A kábelt tartsa távol a hőtől, olajtól, éles peremektől vagy mozgó részekről. *A sérült vagy összegubancolódott kábel növeli az áramütés kockázatát.*
- Ha az elektromos kéziszerszámot szabadtérben üzemelteti, használjon külső használatra alkalmas hosszabbítót.** *A külső használatra alkalmas kábel használatával csökken az áramütés kockázata.*
- Ha elkerülhetetlen, hogy az elektromos kéziszerszámot nedves helyen működtesse, használjon maradékáramműködtetésű megszakító (RCD) védelemmel rendelkező áramforrást.** *A maradékáram-működtetésű megszakító használatla csökkenti az áramütés kockázatát.*

3. Személyi biztonság

- Az elektromos kéziszerszám működtetése közben maradjon éber, figyeljen arra, amit csinál, és használja a józan eszét.** Ne működtesse az elektromos kéziszerszámot, ha fáradt, illetve gyógyszerek, alkohol vagy drogok hatása alatt áll. *Egy pillanatnyi figyelmen kívül hagyás az elektromos kéziszerszámok működtetése közben súlyos sérülésekhez vezethet.*
- Használjon személyi védőfelszereléseket.** Mindig használjon szemvédelmet. *A személyi védőfelszerelés, például pormaszok, csúszásmentes biztonsági lábbeli, védősisak vagy szükség esetén hallásvédelem használatával csökkenthető a személyi sérülések kockázata.*

- c) Kerülje el, hogy a szerszám véletlenül működésbe lépjen. Mielőtt az elektromos kéziszerszámot áramhoz csatlakoztatná, behelyezné az akkumulátort, felvenné vagy vinné a szerszámot ellenőrizze, hogy a kapcsoló "ki" helyzetbe legyen állítva. Ha a szerszám hordozásakor ujját a kapcsolón tartja, vagy áram alá helyezi a bekapcsolt készüléket, az balesetekhez vezethet.
- d) Mielőtt az elektromos kéziszerszámot bekapcsolná, távolítson el róla minden állítókulcsot. Ha az elektromos kéziszerszám forgórészein állítókulcs marad, az személyi sérüléshez vezethet.
- e) Ne próbáljon túl messzire nyúlni. Mindig vigyázzon, hogy stabilan álljon, és őrizze meg egyensúlyát. Ez segít, hogy váratlan helyzetekben uralja az elektromos kéziszerszámot.
- f) Viseljen megfelelő öltözetet. Ne viseljen bő ruházatot vagy hosszú ékszert. Hajját, ruházatát és kesztyűjét tartsa a mozgó alkatrészekről távol. A bő ruházatot, hosszú ékszert vagy hosszú hajat bekapathatják a mozgó elemek.
- g) Ha a szerszámhoz porszívó vagy -gyűjtő is csatlakoztatható, gondoskodjon ezek megfelelő csatlakoztatásáról és használatáról. A porgyűjtő használatával csökkenthetőek a porral kapcsolatos kockázatok.
- h) Ne hagyja, hogy a szerszám gyakori használata túl elbizakodottá tegye, és hogy ezáltal figyelmen kívül hagyja a szerszám biztonsági követelményeit. A másodperc töredéke is elég ahhoz, hogy egy figyelmetlen mozdulat súlyos sérüléshez vezessen.
- 4. Az elektromos kéziszerszám használata és karbantartása**
- a) Ne erőltesse az elektromos kéziszerszámot. Mindig megfelelő elektromos kéziszerszámot használjon. Ha a megfelelő elektromos kéziszerszámot használja, azzal a rendeltetési területén jobban és biztonságosabban elvégezhető a munka.
- b) Ne használja az elektromos kéziszerszámot, ha azt nem lehet kikapcsolni. Ha egy elektromos kéziszerszám nem szabályozható a kapcsolóval, az veszélyes, és javításra szorul.
- c) Mielőtt a szerszámot beállítaná, tartozékok cserélne, illetve tároláskor húzza ki a dugót az áramforrásból, és/ vagy vegye ki az akkumulátort az elektromos kéziszerszámból. Ezekkel a megelőző biztonsági intézkedésekkel csökken annak a kockázata, hogy a kéziszerszám véletlenül bekapcsoljon.
- d) Az elektromos kéziszerszámokat használaton kívül tartsa a gyermekektől távol, és ne hagyja, hogy a szerszámot vagy ezeket az utasításokat nem ismerő személyek működtessék azt. A tapasztalatlan felhasználók kezében az elektromos kéziszerszámok veszélyessé válnak.
- e) Tartsa karban az elektromos kéziszerszámokat. Ellenőrizze, hogy a mozgó elemek megfelelően helyezkednek-e el és nem szorultak-e be, az alkatrészek épek, és semmilyen más hiba nincs kihatással az elektromos kéziszerszám működésére. Ha sérülést talál, használat előtt javíttassa meg a szerszámot. A nem megfelelően karbantartott elektromos kéziszerszámok sok balesetet okoznak.
- f) A vágószerszámokat tartsa tisztán, és figyeljen, hogy élesek maradjanak. A megfelelően karbantartott, éles vágószerszámok ritkábban akadnak meg, és egyszerűbben irányíthatóak.
- g) Az elektromos kéziszerszámot, a kiegészítőket és fejeket használja a fenti utasításoknak megfelelően, figyelembe véve a munkakörülményeket és az elvégzendő munkát. Ha az elektromos kéziszerszámot nem rendeltetésszerűen használja, az veszélyhelyzetet teremthet.
- h) Őrizze szárazon, tisztán, olaj- és zsírintelesen a szerszám fogantyúit és megragadási részeit. A csúszos fogantyúk és megragadási részek főleg váratlan helyzetekben akadályozzák a szerszám biztonságos megfogását, kezelését és irányítását.
- 5. Az akkumulátoros kéziszerszám használata és karbantartása**
- a) Csak a gyártó által javasolt töltővel tölts fel. Ha egy adott akkumulátorhoz megfelelő töltőt másik akkumulátorral használ, az tűzveszélyes lehet.

AKKUMULÁTOROS DEKOPÍRFŰRÉS

- b) Az elektromos kéziszerszámokat csak a kijelölt akkumulátorokkal használja. *Ha más akkumulátorokat használ, az sérülés- és tűzveszélyes.*
- c) Az akkumulátorokat használaton kívül tartsa a fémtárgyaktól, például gémpkcsoktól, pénzérméktől, kulcsoktól, szögektől, csavaroktól vagy más kis fémtárgyaktól távol, mert ezek összekapcsolhatják a pólusokat. Az akkumulátor pólusainak rövidzárata égés- és tűzveszélyes.
- d) Nem megfelelő körülmények között az akkumulátorból folyadék szivároghat; kerülje az érintkezést ezzel a folyadékkal. Véletlen érintkezés esetén mossa le vízzel. Ha a folyadék szembe kerül, mossa ki vízzel, és forduljon orvoshoz. Az akkumulátorból szivárgó folyadék irritációt vagy égési sérülést okozhat.
- e) Ne használjon károsodott vagy módosított akkucsomagot vagy szerszámot. *A károsodott vagy módosított akkucsomagok használata előreláthatatlan következményekkel jár, mert ezek felgyulladhatnak, felrobbanhatnak vagy személyi sérüléseket okozhatnak.*
- f) Óvja az akkucsomagot és a szerszámot a tűztől vagy a magas hőmérsékletektől. *A 130°C-t meghaladó hőmérséklet vagy tűz robbanást okozhat.*
- g) Tartsa be az összes újratöltési utasítást és az akkucsomagot vagy a szerszámot csak az utasításokban megadott hőmérsékleti tartományban töltsen újra. *Az előírásoktól vagy a megengedett hőmérsékleti tartománytól eltérő töltési folyamat az akkucsomag károsodását okozhatja, és növeli a tűzveszély kockázatát.*
6. Szerviz
- a) Az elektromos kéziszerszámot csak képzett szerelő javíthatja megfelelő cserealkatrészekkel. *Ez biztosítja az elektromos kéziszerszám biztonságos működését.*
- b) Soha ne szervizelje a károsodott akkucsomagokat. *A károsodott akkucsomagok szervizelését csak a gyártó vagy az erre felhatalmazott szervizközpontok hajthatják végre.*

BIZTONSÁGI ELŐÍRÁSOK DEKOPÍRFŰRÉS

- Ha fennáll a veszély, hogy a vágótartozék rejtett vezetőket érint, az elektromos kéziszerszámot tartsa szigetelt tapadófelület mellett. *Ha berendezés egy feszültség alatt álló vezetékhez ér, az elektromos kéziszerszám fémrészei szintén feszültség alá kerülhetnek és áramütéshez vezethetnek.*
- Használjon befogó pófákat vagy egyéb gyakorlati megoldásokat a munkadarab stabil platformhoz való rögzítése és megtámasztása érdekében. *A munkadarab kézzel való rögzítése vagy a kezelő testéhez való hozzányomása instabil megoldást jelent, és a munkadarab feletti ellenőrzés elvesztését okozhatja.*

SZIMBÓLUMOK



A sérülésveszély csökkentése érdekében a felhasználónak el kell olvasnia az utasításokat



Figyelmeztetés



Viseljen fülvédőt



Viseljen szemvédőt



Viseljen pormaszkot



A leselejtezett elektromos készülékek nem dobhatók ki a háztartási hulladékkal. Ha van a közelben elektromos hulladék gyűjtő udvar, vigye oda a készüléket. Az újrahasznosítási lehetőségekről tájékozódjon a helyi hatóságoknál vagy a kereskedőnél.


ALKATRÉSZLISTA

1. ZÁROLÓGOMB
2. FŐKAPCSOLÓ
3. AKKUMULÁTOR KIOLDÓ GOMB *
4. AKKUMULÁTOR KAPACITÁSJELZŐ *
5. AKKUMULÁTOR *
6. PORELSZÍVÓ ADAPTER
7. ALAPLAP ÁLLÍTÓKAR
8. INGAMŰKÖDÉS-SZABÁLYOZÓ
9. TALPLEMEZ
10. GÖRGŐS VEZETŐ
11. PÁRHUZAMOS VEZETŐPANEL
12. FŰRÉSZLAP
13. PÁRHUZAMOS ÚTMÉRŐ ZÁROLÓGOMB
14. SZERSZÁM NÉLKÜLI FŰRÉSZLAPTARTÓ
15. UJJVÉDŐ ESZKÖZ
16. SZERSZÁM NÉLKÜLI FŰRÉSZLAPTARTÓ KAR
17. LED-LÁMPA

* Az alapkivitelnek nem része az illusztrációkon vagy leírásban szereplő mindegyik tartozék.

MŰSZAKI ADATOK

Típus JS20X-26 (20X-26-a gép megnevezése, dekopírfűrész típus)

Névleges feszültség	18V  (20V Max.)	
Üresjárat fordulatszám	0-3500 /min	
Lökethossz	26mm	
Ferde vágás szögtartománya	±45°	
Vágási kapacitás	Fa	120mm
	Acél	10mm
Gép súlya (akkumulátor nélkül)	2.12kg	

HU

ALKALMAS AKKUMULÁTOR CSOMAGOK

Tételszám	BI20-2	BI20-4
Akkumulátor teljesítmény	2.0Ah	4.0Ah
	Nem tartalmazza	Nem tartalmazza

AKKUMULÁTOROS DEKOPÍRFŰRÉS

ALKALMAS TÖLTŐK

Tételszám	C20-2	C20-4
Töltő bemenet	100-240V~50/60Hz, 55W	100-240V~50/60Hz, 95W
Töltő kimenet	20V $\overline{=}$ 2.0A	20V $\overline{=}$ 4.0A
Töltési idő (kb.)	1hr (2.0 Ah) 2hrs (4.0 Ah)	30mins (2.0 Ah) 60mins (4.0 Ah)
A töltő védelmi osztálya	\square /II	\square /II
	Nem tartalmazza	Nem tartalmazza

ZAJVÉDELMI TÁJÉKOZTATÁS

A-súlyozású hangnyomásszint	L_{pA} : 85dB (A)
A-súlyozású hangerő	L_{WA} : 93dB (A)
K_{pA} & K_{WA}	5.0dB (A)
Viseljen fülvédőt.	

REZGÉSÉRTÉKEK

Az EN62841 szabvány szerint meghatározott összes rezgés (háromtengelyű vektoriálisösszeg) a következő:	
Falemez vágása	Rezgéskibocsátás: $a_{h,B} = 6.83 \text{ m/s}^2$
	Bizonytalanság $K = 1.5 \text{ m/s}^2$
Fémlemez vágása	Rezgéskibocsátási: $a_{h,M} = 6.49 \text{ m/s}^2$
	Bizonytalanság $K = 1.5 \text{ m/s}^2$

A vibráció és a zaj bejelentett összértékét szabványos mérési módszerrel állapították meg, és ezeket az értékeket két szerszám összehasonlításához is fel lehet használni.

A vibráció és a zaj bejelentett összértékeit a rezgéseknek és zajtartalomnak való kitétség előzetes felbecsléséhez is fel lehet használni.

FIGYELEM! A kéziszerszám aktuális használatok mérhető vibráció és zajkibocsátási értékek eltérhetnek a bejelentett értékektől, mert nagyban függnek a szerszám használati módjától és a megmunkált alkatrész típusától. Íme néhány példa és eltérő érték a szerszám használatától függően:

Hogyan használják a szerszámot, milyen anyagokat vágják vagy fúrják.

Az eszköz jó állapotban van-e, megfelelően karbantartják-e.

Megfelelő tartozékokat használnak-e az eszközhöz, vigyáznak-e, hogy éles legyen, és jó állapotban maradjon.

A fogantyú megragadásának erősségétől és az esetleg használt vibrációs- és zajcsökkentő tartozék típusától.

A szerszámot rendeltetésszerűen, kialakításának és a jelen utasításoknak megfelelően használják-e.

Ha a szerszámot nem kezelik megfelelően, kéz-kar vibrációs szindrómát okozhat.

FIGYELEM! A pontosság érdekében az expozíciós szint becsült értékéhez a valós használati

körülmények között figyelembe kell venni a működési ciklus valamennyi elemét, így azt az időt is, amikor a szerszám ki van kapcsolva, és amikor üresjáratban működik. Ez a teljes munkaidőszak viszonylatában jelentősen csökkentheti az expozíciós szintet.

A vibrációnak és zajnak való kitettség kockázatának csökkentése.

MINDIG éles vésőt, pengét, és hegyes fűrőfejet használjon.

Az eszközt jelen utasításoknak megfelelően tartsa karban, és vigyázzon a megfelelő kenésre (ahol erre szükség van).

Ha a szerszám rendszeres használatát tervezik, akkor megéri a vibráció- és zajcsökkentő tartozékok beszerzése.

Úgy tervezze meg a munkáját, hogy a magas rezgésszámú eszközök használatát igénylő

TARTOZÉKOK

Favágó penge	1
Porelszívó adapter	
Alaplaphoz fedő	1
Párhuzamos vezetőpanel	1

Javasoljuk, hogy a tartozékokat ugyanabból a boltból vásárolja meg, ahol a szerszámot is vásárolta. További részleteket a tartozék csomagolásán talál. Kérjen segítséget és tanácsot a bolti eladóktól.

AKKUMULÁTOROS DEKOPÍRFŰRÉS

HASZNÁLATI UTASÍTÁSOK



MEGJEGYZÉS: A szerszám használata előtt olvassa el figyelmesen a használati útmutatót.

RENDELTETTÉSSZERŰ HASZNÁLAT

A szerszámgépet fa, műanyag, fém és építőanyagok fűrészelésére tervezték, miközben szilárdan a munkadarabon nyugszik. Megfelelő a sík és ívelt vágásokhoz. A fűrészlapokra vonatkozó ajánlásokat be kell tartani.

ÜZEMBE HELYEZÉS ELŐTT

1. A KAMPÓS ÉS HUROKKAL ELLÁTOTT CSISZOLÓPAPÍR FELSZERELÉSE (NEM TARTALMAZZA) (LÁSD AZ A1, A2. ÁBRÁT)

Akkumulátor csomag eltávolításához először erőteljesen nyomja le az akkumulátor csomag kioldó gombját, majd csúsztassa ki az akkumulátor csomagot a gépből.

Az akkumulátor csomag telepítéséhez csúsztassa fel a teljesen feltöltött akkumulátor csomagot a gépre megfelelő erővel, amíg kattantást nem hall.

2. A FŰRÉSZLAP FELSZERELÉSE

MEGJEGYZÉS: Vegye ki az akkumulátor csomagot a fűrészjárműből, mielőtt bármilyen beállítást, szervizelést vagy karbantartást végezne. Viseljen védőkesztyűt a fűrészlappal való összeszerelés-kor.

- Fűrészlap behelyezése (Lásd az B1. ábrát)

A fűrészlap tartót a fűrészlap kioldó zárókar forgatásával nyissa ki óramutató járásával ellentétes irányban (a fűrészjármű fejjel lefelé) és tartsa nyomva a helyzetben. Teljesen helyezze be a fűrészlapot a fűrészlap tartó nyílásába a fűrészlappal a fogak előre nézve, majd engedje el a fűrészlap kioldó zárókart, amely önmagától elfordul és rászorítja a fűrészlapp tetejére. Nyomja be újra a fűrészlapot a fűrészlap tartóba annak érdekében, hogy biztosítsa a helyzetét. Győződjön meg arról, hogy a fűrészlap él a görgővezető horonyában van.

- Fűrészlap eltávolítása (Lásd az B2. ábrát)

A lap eltávolításához fogja meg a fűrészlapot, majd forgassa el a fűrészlap kioldó zárókart óramutató járásával ellentétes irányban, majd emelje ki a fűrészlapot (a fűrészlap rugóval kiugorhat).



FIGYELEM! A fűrészlap fogai nagyon élesek. A legjobb vágási eredmények érdekében biztosítsa, hogy a kívánt anyagnak és vágási minőségnek megfelelő fűrészlapot használjon.



FIGYELEM! Az újonnan használt fűrészlappal nagyon forró, kérjük, ügyeljen arra, hogy hagyja lehűlni, vagy viseljen védőkesztyűt.

3. PÁRHUZAMOS ÚTMUTATÓ RÖGZÍTÉSE (LÁSD AZ C. ÁBRÁT)

Csavarja ki a párhuzamos útmutató záró gombját óramutató járásával ellentétes irányban, hogy kibővítsa a lyukakat, ahová a párhuzamos útmutató kar behelyezhető. Ezután tolja be a párhuzamos útmutató kart mindkét lyukba, és húzza meg a záró gombot óramutató járásával megegyező irányban a szükséges vágási távolság eléréséhez.

MEGJEGYZÉS: Mindkét oldalról rögzítheti a párhuzamos útmutatót, ahogyan azt a C ábrán látható.

4. PORADAPTER FELTÉTELE(LÁSD AZ D. ÁBRÁT)

Szerelje fel a poradapter csövet a talp nyílásába. Győződjön meg arról, hogy a poradapter műanyag hegye belesimul a házban lévő megfelelő nyílásba.

5. INGAMŰKÖDÉS-SZABÁLYOZÓ (LÁSD AZ E. ÁBRÁT)

Az inga működése változtatja a fűrészlap előrefelé irányuló vágási szögét a nagyobb vágási hatékonyság érdekében. Ez terhelés nélküli használat közben is beállítható. További részletekért lásd az táblázatot.

Az inga működtetésével történő vágáskor ne alkalmazzon túlzott erővel működő fűrészlapot. A fűrészlap csak a felfelé irányuló löketben vág.


0	Vékony anyagok. Finom vágások. Szűk ívek.
---	---

1	Kemény anyagok (pl. acél és forgácslap)
2	Vastag anyagok (pl. fa) és műanyag
3	Gyors vágások (pl. puhafa). Vágás a fa szemcse irányában.

6. BIZTONSÁGI FŐKAPCSOLÓ (LÁSD AZ F. ÁBRÁT)

A be-/kikapcsoló kapcsoló zárolásához helyezze a zárológombot középső helyzetbe. Ez segít csökkenteni a véletlen bekapcsolás lehetőségét, amikor nem használják. Nyomja le a zárológombot balra vagy jobbra, majd a be-/kikapcsoló kapcsolót, majd engedje fel a zárológombot. A kapcsoló most be van kapcsolva. A kikapcsoláshoz egyszerűen engedje el a be-/kikapcsoló kapcsolót.

MEGJEGYZÉS: Az LED világítás automatikusan világítani fog a munkaterületen, amikor a terméket bekapcsolják.

 **FIGYELEM!** Ne nézzen közvetlenül az LED fénybe!

- Változtatható sebességvezérlés

A be-/kikapcsoló kapcsoló egyben egy változtatható sebességű vezérlőkapcsoló is. A sebesség beállítható a minimális és a maximális között azon nyomás függvényében, amelyet a be-/kikapcsoló kapcsolóra gyakorol. Több nyomást alkalmazzon a sebesség növeléséhez, és engedje el a nyomást a sebesség csökkentéséhez.

7. SZÁMOS ÉS ÍVES VÁGÁS (LÁSD AZ G1, G2. ÁBRÁT)

A fűrészjármű egyenes vonalban vagy az általánosnak megfelelően ívelt vonalakban is képes vágni.

8. A TALPLEMEZ SZÖGBEÁLLÍTÁSA (LÁSD AZ H1-H3. ÁBRÁT)

MEGJEGYZÉS: Az aljzatadapter eltávolítása előtt állítsa be az alaplapot.

MEGJEGYZÉS: Forgassa el az alaplapot a kívánt pozícióba az alaplap skálája szerint. Győződjön meg arról, hogy a fűrészlap a fűrészlap pozícionáló kerék között van bekapcsolva.

Az alaplap szögének beállításához forgassa

előre az alaplap állítókart, hogy kinyissa az alaplapot. Nyomja meg az alaplapot enyhén előre, hogy az alaplap és az alaplap szögmérőjének vonalai a kívánt szögben (0°, 15°, 30°, 45°) fedjék egymást. Húzza vissza az alaplapot, hogy meghúzza azt. Más miter szögek esetén forgassa a kívánt szögbe (használon szögmérőt). Ezután forgassa vissza az alaplap állítókapsolót, hogy az alaplapot ebben a szögben zárolja. Végül ellenőrizze a szöveget, és győződjön meg róla, hogy az alaplap szorosan rögzítve van.

MEGJEGYZÉS: Az alaplapon lévő szögjelölések az általános célokra pontosak, de a pontos munkához ajánlott a szögöt szögmérővel beállítani, és próbavágást készíteni más anyagon.

9. UJJVÉDŐ

Az ujjvédő a fűrészlaptartó előtt található. Munka közben segít megakadályozni a mozgó fűrészlappal való véletlen érintkezést.

MUNKAVÉGZÉSI TANÁCSOK A DEKOPÍR FŰRÉSZGÉPHEZ

Ha a dekopírfűrész túlságosan felforrósodik, különösen alacsony fordulatszámon történő használat esetén, állítsa a fordulatszámot maximálisra, és 2-3 percig terhelés nélkül működtesse, hogy a motor lehűljön. Kerülje a hosszabb ideig tartó használatot nagyon alacsony fordulatszámon.

ÁLTALÁNOS JAVASLATOK

Mindig a vágandó anyagnak és anyagvastagságnak megfelelő fűrészlapot használjon. Mindig gondoskodjon arról, hogy a munkadarabot stabilan tartsa vagy rögzítse, hogy megakadályozza az elmozdulást.

A könnyebb kezelhetőség érdekében a vágás megkezdéséhez használjon alacsony fordulatszámot, majd növelje a megfelelő fordulatszámra.

Az anyag bármilyen mozgása befolyásolhatja a vágás minőségét. A fűrészlap a felfelé irányuló löketben vág, és a munkadarab legfelső felületét vagy felületét leaprithatja. A munka

AKKUMULÁTOROS DEKOPÍRFŰRÉS

befejezésekre ügyeljen arra, hogy a legfelső felület ne legyen látható

LAMINÁLT ANYAGOK VÁGÁSA

A legtöbb laminált anyag és vékony faanyag vágásához használjon finom fogazású fűrészlapot. Az élék letörésének csökkentése érdekében mindkét végén mindkét oldalon szorítson be hulladékfadarabokat, és vágás közben vágja át a hulladékfát.

KÖRVÁGÁS

Szűk körök vagy szögek vágásakor ne használja az ingamozgást.

SÜLLYESZTŐ FŰRÉSZELES (LÁSD AZ 11, 12. ÁBRÁT)

A süllyesztő fűrészelés csak puha anyagokon alkalmazható, mint például fa, pórusbeton, gipszkarton stb.

Csak rövid fűrészlapokat használjon. Helyezze a talplemez elülső élét a munkadarabra és kapcsolja be.

Nyomja a gépet erősen a munkadarabhoz, és a fűrészlapot lassan merítse a munkadarabba. Amint a talplemez teljes felülete a munkadarabon fekszik, folytassa a fűrészélést a vágási vonal mentén.

FÉMVÁGÁS

A vasfémekhez finomabb fogazású fűrészlapot, a színesfémekhez pedig durva fogazású fűrészlapot használjon. Vékony fémlemez vágásakor mindig szorítson fát a lemez mindkét oldalára, hogy csökkentse a rezgést vagy a fémlemez repedését.

Mind a fát, mind a fémlemezt meg kell vágni.

Vékony fém vagy acéllemez vágásakor ne erőltesse a vágókést, mivel ezek keményebb anyagok, és hosszabb ideig tart a vágásuk. A túlzott késerő csökkentheti a kés élettartamát vagy károsíthatja a motort.

A fémvágás közbeni hőhatás csökkentése érdekében adjon egy kis kenőanyagot a vágási vonal mentén.

KARBANTARTÁS

Bármilyen állítás, javítás vagy karbantartási művelet előtt vegye ki a szerszámból az akkumulátort.

Az elektromos kéziszerszámot nem szükséges megkenni vagy karbantartani.

A szerszám nem tartalmaz a felhasználó által javítható alkatrészeket. Soha ne használjon vizet vagy vegyi tisztítószerket a szerszám tisztításához. Törölje tisztára egy száraz ronggyal. A szerszámot mindig száraz helyen tárolja. Tartsa tisztán a motor szellőzőnyílásait. Minden szabályozóeszközt tartson pormentesen. A szellőzőnyílásokon keresztül néha szikrák láthatók. Ez természetes, nem okoz kárt az elektromos kéziszerszámban.

AKKUS KÉZISZERSZÁMOKRA VONATKOZÓ FIGYELMEZTETÉSEK

A szerszámot és az akkumulátort csak 0-45°C közötti hőmérsékleti tartományban szabad használni és tárolni.

Az akkumulátor újratöltéséhez ajánlott hőmérsékleti tartomány 0-40°C között található.

KÖRNYEZETVÉDELEM



A leselejtezett elektromos készülékek nem dobhatók ki a háztartási

hulladékkal. Ha van a közelben elektromos hulladék gyűjtő udvar, vigye oda a készüléket. Az újrahasznosítási lehetőségekről tájékozódjon a helyi hatóságoknál vagy a kereskedőnél.

EC megfelelőségi nyilatkozat



Mi : HYUNDAI Corporation Holdings Europe
Am Kronberger Hang 2A, 65824, Schwalbach am Taunus
Germany

Kijelentjük, hogy az alábbi részletezett termék :
Akkumulátoros dekopírfűrész

MODELL : JS20X-26
FUNKCIÓ : Különböző anyagok vágása, fűrészelése

Megfelel a Tanács irányelveinek követelményeinek :
2006/42/EC, 2014/30/EU
2011/65/EU & (EU)2015/863

A szabványok megfelelnek az :
EN 62841-1, EN 62841-2-11,
EN IEC 55014-1, EN IEC 55014-2,
EN IEC 63000

A műszaki dokumentáció összeállítására jogosult személy,
Név : Hyundai Kim
Cím : HYUNDAI Corporation Holdings Europe
65824 Schwalbach am Taunus, Germany

HU

Ügyvezető igazgató

Jaiwon Hur

Projektmenedzser

Sungwoo Hong

Dátum : 2024.09.25

MÁY CỬA LỌNG DÙNG PIN

HƯỚNG DẪN AN TOÀN SÀN PHẪM CẢNH BÁO CHUNG VỀ AN TOÀN DỤNG CỤ ĐIỆN CẢNH BÁO CHUNG VỀ AN TOÀN DỤNG CỤ ĐIỆN

! **CẢNH BÁO!** Đọc tất cả các cảnh báo, hướng dẫn, hình ảnh minh họa và thông số kỹ thuật được cung cấp kèm theo dụng cụ điện này. Việc không tuân theo tất cả các hướng dẫn được liệt kê dưới đây có thể dẫn đến điện giật, hỏa hoạn và/hoặc thương tích nghiêm trọng.

Lưu tất cả các cảnh báo và hướng dẫn để tham khảo trong tương lai.

Thuật ngữ "dụng cụ điện" trong các cảnh báo để cập đến dụng cụ điện chạy bằng nguồn điện (có dây) hoặc dụng cụ điện chạy bằng pin (không dây).

1. AN TOÀN KHU VỰC LÀM VIỆC

- Giữ khu vực làm việc sạch sẽ và đủ ánh sáng. Những khu vực bừa bộn hoặc tối tăm dễ gây tai nạn.
- Không vận hành dụng cụ điện trong môi trường dễ cháy nổ, chẳng hạn như nơi có chất lỏng, khí hoặc bụi dễ cháy. Dụng cụ điện tạo ra tia lửa điện có thể đốt cháy bụi hoặc khói.
- Giữ trẻ em và những người xung quanh tránh xa khi vận hành dụng cụ điện. Sự xao lãng có thể khiến bạn mất kiểm soát.

2. AN TOÀN ĐIỆN

- Phích cắm của dụng cụ điện phải khớp với ổ cắm. Không bao giờ sửa đổi phích cắm theo bất kỳ cách nào. Không sử dụng bất kỳ phích cắm chuyển đổi nào với dụng cụ điện được nối đất (nối đất). Phích cắm nguyên bản và ổ cắm phù hợp sẽ giảm nguy cơ bị điện giật.
- Tránh tiếp xúc cơ thể với dây hoặc các bề mặt được nối đất, chẳng hạn như đường ống, bộ tản nhiệt, bếp nấu và tủ lạnh. Nguy cơ bị điện giật sẽ tăng lên nếu cơ thể bạn được nối đất hoặc tiếp đất.
- Không để dụng cụ điện tiếp xúc với mưa hoặc điều kiện ẩm ướt. Nước lọt vào dụng cụ điện sẽ làm tăng nguy cơ bị điện giật.
- Không được sử dụng dây điện để mang, kéo hoặc rút phích cắm dụng cụ điện. Giữ dây xa nguồn nhiệt, dầu máy, vật sắc nhọn

sắc hoặc các bộ phận chuyển động. Dây bị hư hỏng hoặc vướng víu làm tăng nguy cơ bị điện giật.

- Không vận hành dụng cụ điện ngoài trời, hãy sử dụng dây điện nối dài phù hợp để sử dụng ngoài trời. Sử dụng dây phù hợp để sử dụng ngoài trời sẽ giảm nguy cơ bị điện giật.
- Nếu bắt buộc phải vận hành dụng cụ điện ở nơi ẩm ướt, hãy sử dụng nguồn điện được bảo vệ bằng thiết bị chống dòng rò (RCD). Sử dụng RCD giúp giảm nguy cơ bị điện giật.

3. AN TOÀN CÁ NHÂN

- Hãy cảnh giác, quan sát và phán đoán những gì bạn đang làm khi vận hành dụng cụ điện. Không sử dụng dụng cụ điện khi bạn đang mệt mỏi hoặc đang chịu ảnh hưởng của ma túy, rượu hoặc dược phẩm. Một khoảnh khắc mất tập trung trong khi vận hành dụng cụ điện có thể dẫn đến thương tích cá nhân nghiêm trọng.
- Sử dụng thiết bị bảo hộ cá nhân. Luôn đeo kính bảo vệ mắt. Thiết bị bảo hộ như mũ nện chống bụi, giày an toàn chống trượt, mũ cứng hoặc thiết bị bảo vệ thính giác được sử dụng trong điều kiện thích hợp sẽ giảm thương tích cá nhân.
- Phòng ngừa việc vô tình khởi động máy. Đảm bảo công tắc ở vị trí tắt trước khi kết nối với nguồn điện và/hoặc bộ pin, khi nhắc hoặc mang dụng cụ. Mang các dụng cụ điện với ngón tay của bạn trên công tắc hoặc cung cấp năng lượng cho các dụng cụ điện có công tắc đang ở trạng thái ON sẽ gây ra tai nạn.
- Tháo mũ khóa điều chỉnh hoặc ổ khóa khi bật dụng cụ điện. Cờ lê hoặc chìa khóa còn gắn vào bộ phận quay của dụng cụ điện có thể gây thương tích cá nhân.
- Hãy giữ thăng bằng. Giữ chỗ đứng thích hợp và lúc nào cũng cân bằng. Điều này cho phép kiểm soát dụng cụ điện tốt hơn trong những tình huống không mong muốn.
- Án mặc đúng cách. Không mặc quần áo rộng thùng thình hoặc đeo đồ trang sức. Giữ tóc và quần áo của bạn tránh xa các bộ phận chuyển động. Quần áo rộng, đồ trang sức hoặc tóc dài có thể bị vướng vào các bộ phận chuyển động.
- Nếu các thiết bị được cung cấp để gắn các bộ phận hút và thu gom bụi, hãy đảm bảo các thiết bị này được gắn và sử dụng đúng cách. Sử dụng bộ phận thu gom bụi sẽ giảm bớt các nguy hiểm liên quan đến bụi.
- Đừng để sự quen thuộc có được từ việc thường xuyên việc sử dụng các dụng cụ

cho phép bạn trở nên tự mãn và bỏ qua các nguyên tắc an toàn của dụng cụ. Một hành động bất cẩn có thể gây thương tích nghiêm trọng trong vòng chưa đầy một giây.

4. SỬ DỤNG VÀ BẢO QUẢN DỤNG CỤ ĐIỆN

- a) Không sử dụng quá tải dụng cụ điện. Hãy chọn đúng dụng cụ để sử dụng cho ứng dụng của bạn. Dụng cụ điện phù hợp sẽ thực hiện công việc tốt hơn và an toàn hơn theo đúng công năng được thiết kế.
 - b) Không sử dụng dụng cụ điện nếu công tắc không bật và tắt được. Bất kỳ dụng cụ điện nào không thể điều khiển được bằng công tắc đều nguy hiểm và phải được sửa chữa.
 - c) Ngắt kết nối phích cắm khỏi nguồn điện nguồn và/hoặc tháo bộ pin (nếu có thể tháo rời) khỏi dụng cụ điện trước khi thực hiện bất kỳ điều chỉnh, thay đổi nào, hoặc cất giữ dụng cụ điện. Những hành động phòng ngừa này làm giảm nguy cơ vô tình khởi động dụng cụ điện.
 - d) Cất giữ các dụng cụ điện không sử dụng ngoài tầm với của trẻ em và không cho phép những người không quen với dụng cụ điện hoặc những hướng dẫn này vận hành dụng cụ điện. Dụng cụ điện rất nguy hiểm khi nằm trong tay người sử dụng chưa qua đào tạo.
 - e) Bảo trì các dụng cụ điện và phụ kiện. Kiểm tra xem các bộ phận chuyển động có bị lệch hoặc bị kẹt, các bộ phận có bị gãy hay không và bất kỳ tình trạng nào khác có thể ảnh hưởng đến hoạt động của dụng cụ điện. Nếu bị hư hỏng, hãy sửa chữa dụng cụ điện trước khi sử dụng. Nhiều vụ tai nạn xảy ra do dụng cụ điện được bảo trì kém.
 - f) Giữ dụng cụ cất luôn sắc bén và sạch sẽ. Các dụng cụ cất được bảo trì đúng cách với các cạnh sắc bén sẽ ít bị kẹt hơn và dễ kiểm soát hơn.
 - g) Sử dụng dụng cụ điện, phụ kiện và mũ khoan, v.v. theo các hướng dẫn này, có tính đến các điều kiện làm việc và công việc sẽ được thực hiện. Việc sử dụng dụng cụ điện cho những hoạt động khác với dự định có thể dẫn đến tình huống nguy hiểm.
 - h) Giữ tay cầm và bề mặt cầm nắm khô ráo, sạch sẽ và không dính dầu mỡ. Tay cầm và bề mặt cầm trơn trượt không cho phép xử lý và điều khiển dụng cụ một cách an toàn trong các tình huống bất ngờ.
- #### 5. SỬ DỤNG VÀ BẢO QUẢN DỤNG CỤ DÙNG PIN

- a) Chỉ sạc lại bằng bộ sạc do nhà sản xuất chỉ định. Bộ sạc phù hợp với một loại pin này có thể gây nguy cơ cháy nổ khi sử dụng với một loại pin khác.
- b) Chỉ sử dụng dụng cụ điện với bộ pin được chỉ định cụ thể. Việc sử dụng bất kỳ bộ pin nào khác có thể gây ra nguy cơ chấn thương và hỏa hoạn.
- c) Khi không sử dụng bộ pin, hãy để pin cách xa các vật kim loại mà có thể tạo kết nối từ cực này sang cực khác như kẹp giấy, đồng xu, chìa khóa, đinh, ốc vít hoặc các vật kim loại nhỏ khác. Việc chạm mạch các cực của pin với nhau có thể gây bỏng hoặc cháy.
- d) Trong điều kiện khắc nghiệt, chất lỏng có thể bắn ra khỏi pin; tránh tiếp xúc. Nếu vô tình xảy ra tiếp xúc, hãy xả bằng nước. Nếu chất lỏng tiếp xúc với mắt, hãy tìm kiếm sự trợ giúp y tế. Chất lỏng bắn ra từ pin có thể gây kích ứng hoặc bỏng.
- e) Không sử dụng bộ pin hoặc dụng cụ bị hư hỏng hoặc bị sửa đổi. Pin bị hư hỏng hoặc bị sửa đổi có thể có biểu hiện hoạt động không thể đoán trước dẫn đến cháy, nổ hoặc có nguy cơ gây thương tích.
- f) Không để bộ pin hoặc dụng cụ tiếp xúc với lửa hoặc nhiệt độ quá cao. Tiếp xúc với lửa hoặc nhiệt độ trên 130°C có thể gây nổ.
- g) Thực hiện theo tất cả các hướng dẫn sạc, không sạc bộ pin hoặc dụng cụ ngoài phạm vi nhiệt độ được chỉ định trong hướng dẫn. Sạc không đúng cách hoặc sạc ở nhiệt độ ngoài phạm vi quy định có thể làm hỏng pin và tăng nguy cơ cháy nổ.

6. DỊCH VỤ

- a) Hãy để người sửa chữa có trình độ chuyên môn bảo trì dụng cụ điện của bạn và chỉ sử dụng các phụ tùng giống hệt nhau để thay thế. Điều này sẽ đảm bảo rằng sự an toàn của dụng cụ điện được duy trì.
- b) Không được sửa chữa bộ pin bị hỏng. Việc sửa chữa bộ pin chỉ được thực hiện bởi nhà sản xuất hoặc nhà cung cấp dịch vụ được ủy quyền.

CẢNH BÁO AN TOÀN MÁY CỤA LỘNG

1. Cầm dụng cụ điện ở các bề mặt nắm cách điện khi thực hiện thao tác mà dụng cụ cắt có thể tiếp xúc với hệ thống dây điện ẩn. Việc tiếp xúc với dây "có điện" cũng sẽ làm cho các bộ phận kim loại hở ra của dụng cụ điện "có điện" và có thể khiến người vận hành bị điện giật.

MÁY CỬA LỌNG DÙNG PIN

2. **Sử dụng kẹp hoặc cách thiết thực khác để cố định và đỡ phôi vào tấm để một cách chắc chắn.** Việc cầm phôi bằng tay hoặc tựa vào người sẽ khiến nó không ổn định và có thể dẫn đến mất kiểm soát.

BIỂU TƯỢNG



Để giảm nguy cơ chấn thương, người dùng phải đọc hướng dẫn sử dụng



Cảnh báo



Đeo bảo vệ tai



Mang kính bảo vệ mắt



Đeo mặt nạ chống bụi



Các sản phẩm điện thải không được thải bỏ cùng với rác thải sinh hoạt. Hãy tái chế ở nơi có cơ sở vật chất. Hãy kiểm tra với chính quyền địa phương hoặc nhà bán lẻ để được tư vấn về tái chế.


DANH SÁCH THÀNH PHẦN

1. NÚT KHÓA AN TOÀN
2. CÔNG TẮC BẬT/TẮT
3. NÚT THÁO BỘ PIN *
4. ĐÈN BÁO DUNG LƯỢNG PIN*
5. BỘ PIN*
6. CÔNG CHUYỂN ĐỔI HÚT BỤI
7. CẦN ĐIỀU CHỈNH TẮM ĐẾ
8. NÚM ĐIỀU KHIỂN HOẠT ĐỘNG CẮT
9. TẮM ĐẾ
10. CON LĂN DẪN HƯỚNG
11. THANH CỬ CẮT THẲNG
12. LƯỠI CỬA
13. NÚM KHÓA THANH DẪN HƯỚNG
14. GIÁ ĐỠ LƯỠI CỬA
15. CÁN BẢO VỆ LƯỠI CỬA
16. HỆ THỐNG THÁO LẮP LƯỠI NHANH
17. ĐÈN LED

* Không phải tất cả các phụ kiện được minh họa hoặc mô tả đều được bao gồm trong gói giao hàng tiêu chuẩn.

THÔNG SỐ KỸ THUẬT

Loại JS20X-26 (20X-26-ký hiệu máy, đại diện cho máy cửa lộng)

Điện áp	18V  (Tối đa 20V)	
Tốc độ không tải	0-3500 / phút	
Độ xọc	26mm	
Khả năng vát góc	±45°	
Độ sâu cắt tối đa	Gỗ	120mm
	Thép	10mm
Trọng lượng máy (không có pin)	2.12kg	



BỘ PIN PHÙ HỢP

Mã hàng	BI20-2	BI20-4
Dung lượng pin	2.0Ah	4.0Ah
	Không bao gồm	Đề xuất (Không bao gồm)

BỘ SẠC PHÙ HỢP

Mã hàng	C20-2	C20-4
Điện áp vào bộ sạc	100-240V~50/60Hz, 55W	100-240V~50/60Hz, 95W

MÁY CỬA LỌNG DÙNG PIN

Điện áp ra bộ sạc	20V $\overline{\text{---}}$ 2.0A	20V $\overline{\text{---}}$ 4.0A
Thời gian sạc (xấp xỉ)	1 giờ (2.0 Ah) 2 giờ (4.0 Ah)	30 phút (2.0 Ah) 60 phút (4.0 Ah)
Lớp bảo vệ bộ sạc	 /II	 /II
	Không bao gồm	Không bao gồm

THÔNG TIN TIẾNG ỒN

Áp suất âm thanh có trọng số	L_{pA} : 85dB (A)
Công suất âm thanh có trọng số	L_{wA} : 93dB (A)
K_{pA} & K_{wA}	5.0dB (A)
Đeo bảo vệ tai.	

THÔNG TIN RUNG

Tổng giá trị rung động (tổng vectơ ba trục) được xác định theo EN 62841:	
Thớt	Giá trị rung động phát ra: $a_{h,B} = 6.83 \text{ m/s}^2$
	Độ không đảm bảo $K = 1.5 \text{ m/s}^2$
Cắt kim loại thép	Giá trị rung động phát ra: $a_{h,M} = 6.49 \text{ m/s}^2$
	Độ không đảm bảo $K = 1.5 \text{ m/s}^2$

Tổng giá trị rung được công bố và giá trị phát ra tiếng ồn được công bố đã được đo theo phương pháp thử tiêu chuẩn và có thể được sử dụng để so sánh dụng cụ này với dụng cụ khác. Tổng giá trị rung động được công bố và giá trị phát ra tiếng ồn đã công bố cũng có thể được sử dụng trong đánh giá sơ bộ về mức độ phơi nhiễm.

! **CẢNH BÁO:** Độ rung và tiếng ồn phát ra trong quá trình sử dụng thực tế dụng cụ điện có thể khác với giá trị được công bố tùy thuộc vào cách sử dụng dụng cụ, đặc biệt là loại dụng cụ nào. phôi được xử lý tùy thuộc vào các ví dụ sau và các biến thể khác về cách sử dụng dao:

Cách sử dụng công cụ và vật liệu được cắt hoặc khoan.

Công cụ đang ở trong tình trạng tốt và được bảo trì tốt.

Việc sử dụng đúng phụ kiện cho dụng cụ và đảm bảo nó sắc bén và ở tình trạng tốt.

Độ chặt của tay cầm trên tay cầm và có sử dụng phụ kiện chống rung, chống ồn hay không.

Và công cụ này đang được sử dụng đúng mục đích nhờ thiết kế của nó và các hướng dẫn này.

Công cụ này có thể gây ra hội chứng rung tay-cánh tay nếu việc sử dụng nó không được quản lý đầy đủ.

! **CẢNH BÁO:** Để chính xác, việc ước tính mức phơi nhiễm trong điều kiện sử dụng thực tế cũng phải tính đến tất cả các phần của chu trình vận hành, chẳng hạn như thời gian khi dụng cụ được sử dụng.

bị tắt và khi nó chạy không tải nhưng không thực sự thực hiện công việc. Điều này có thể làm giảm đáng kể mức độ phơi nhiễm trong tổng thời gian làm việc.

Giúp giảm thiểu rủi ro tiếp xúc với rung động và tiếng ồn.

Luôn sử dụng đục, khoan và lưỡi dao sắc bén.

Bảo trì công cụ này theo các hướng dẫn này và luôn bôi trơn tốt (nếu thích hợp).

Nếu dụng cụ này được sử dụng thường xuyên thì hãy đầu tư vào các phụ kiện chống rung và chống ồn.

Lập kế hoạch lịch trình làm việc của bạn để dần trải việc sử dụng công cụ có độ rung cao trong một số ngày.

PHỤ KIỆN

Lưới cửa gỗ	1
Đầu nối hút bụi	
Vỏ đế	1
Thanh cử cất thẳng	1

Chúng tôi khuyên bạn nên mua phụ kiện từ cùng một cửa hàng đã bán công cụ cho bạn. Tham khảo bao bì phụ kiện để biết thêm chi tiết. Nhân viên cửa hàng có thể hỗ trợ bạn và đưa ra lời khuyên.

HƯỚNG DẪN VẬN HÀNH



LƯU Ý: Trước khi sử dụng công cụ, hãy đọc kỹ sách hướng dẫn.

MỤC ĐÍCH SỬ DỤNG

Máy được thiết kế để cửa gỗ, nhựa, kim loại và vật liệu xây dựng trong khi đặt chắc chắn trên phiê. Nó phù hợp cho các vết cắt thẳng và cong. Cần phải tuân thủ các khuyến nghị về lưới cửa.

TRƯỚC KHI ĐƯA VÀO VẬN HÀNH

1. THÁO VÀ LẮP BỘ PIN (KHÔNG ĐƯỢC CUNG CẤP) (XEM HÌNH A1, A2)

Trước tiên hãy nhấn mạnh nút tháo bộ pin rồi trượt bộ pin ra khỏi dụng cụ của bạn.

Trượt bộ pin đã sạc đầy vào dụng cụ với một lực vừa đủ cho đến khi nó khớp vào vị trí.

2. LẮP LƯỚI CỬA

LƯU Ý: Tháo bộ pin ra khỏi máy cửa lộng trước khi thực hiện bất kỳ điều chỉnh, bảo dưỡng hoặc bảo trì nào. Đeo găng tay bảo hộ khi lắp ráp lưới cửa.

- Lắp lưới cửa vào (Xem Hình B1)

Để mở giá đỡ lưới cửa, hãy xoay chốt nhả lưới cửa theo chiều kim đồng hồ (máy cửa lộn ngược) và giữ đúng vị trí. Sau đó lắp hoàn toàn lưới cửa vào khe giữ lưới cửa với các răng của lưới cửa hướng về phía trước và nhả chốt nhả lưới cửa, chốt này sẽ tự xoay và kẹp trên đầu lưới cửa. Đẩy lưới cửa vào giá đỡ lưới cửa để đảm bảo nó được khóa đúng vị trí. Đảm bảo cạnh của lưới cửa nằm trong rãnh của dẫn hướng con lăn.

- Tháo lưới cửa (Xem Hình B2)

Để tháo lưới cửa, hãy giữ lưới cửa và xoay

chốt nhả lưới cửa theo chiều kim đồng hồ sau đó nhấc lưới cửa ra (lưới có thể bật ra bằng lò xo).



CẢNH BÁO: Răng của lưới cửa rất sắc. Để có kết quả cắt tốt nhất, hãy đảm bảo bạn sử dụng lưới cắt phù hợp với vật liệu và chất lượng cắt mà bạn cần.



CẢNH BÁO: Lưới cửa mới sử dụng rất nóng, hãy chú ý để nguội hoặc đeo găng tay bảo hộ.

3. GẮN THANH CỬ CẮT THẲNG (XEM HÌNH C)

Vận núm khóa dẫn hướng ngược chiều kim đồng hồ để phóng to các lỗ nơi lắp thanh dẫn hướng. Sau đó trượt thanh dẫn hướng cắt thẳng qua cả hai lỗ và siết chặt núm khóa theo chiều kim đồng hồ để đạt được khoảng cách cắt cần thiết.

LƯU Ý: Bạn có thể lắp thanh dẫn hướng cắt thẳng từ cả hai phía như minh họa trong Hình C.

4. LẮP ĐẶT ĐẦU NỐI HÚT BỤI (XEM HÌNH D)

Gắn đầu nối hút bụi vào lỗ của tấm đế. Đảm bảo rằng đầu nhựa của đầu nối hút bụi khớp vào lỗ tương ứng trên vỏ.

5. ĐIỀU KHIỂN CHẾ ĐỘ CẮT (XEM HÌNH E)

Hoạt động của con lắc (đá lưới) thay đổi góc cắt về phía trước của lưới cửa để tăng hiệu quả cắt. Điều này cũng có thể được điều chỉnh trong khi chạy không tải. Tham khảo biểu đồ dưới đây để biết thêm chi tiết. Không sử dụng lực lưới quá mức khi cắt bằng hành động con lắc. Lưới cửa chỉ cắt theo hành trình đi lên.

0	Vật liệu mỏng. Cắt ngọt. Những đường cong hẹp.
1	Vật liệu cứng, (ví dụ như thép và ván dăm)

MÁY CỬA LỌNG DÙNG PIN


2	Vật liệu dày (ví dụ gỗ) & nhựa
3	Cắt nhanh (ví dụ gỗ mềm). Cắt theo hướng thớ gỗ.

6. CÔNG TÁC BẬT/TẮT AN TOÀN (XEM HÌNH F)

Để khóa công tắc bật/tắt, hãy đặt nút khóa ở vị trí chính giữa. Điều này giúp giảm khả năng vô tình khởi động khi không sử dụng.

Nhấn nút khóa sang trái hoặc phải rồi nhấn công tắc bật/tắt và nhả nút khóa. Công tắc của bạn hiện đã bật. Để tắt, chỉ cần nhả công tắc bật/tắt.

LƯU Ý: Đèn LED sẽ tự động chiếu sáng vùng làm việc khi sản phẩm được bật.

 **CẢNH BÁO:** Không nhìn thẳng vào đèn LED!

- ĐIỀU KHIỂN TỐC ĐỘ THAY ĐỔI

Công tắc bật/tắt cũng là công tắc kích hoạt điều khiển tốc độ thay đổi. Tốc độ có thể được điều chỉnh từ mức tối thiểu đến tối đa bằng áp lực bạn tác động lên công tắc bật/tắt. Áp dụng nhiều áp lực hơn để tăng tốc độ và giải phóng áp lực để giảm tốc độ.

7. CẮT THẲNG VÀ CẮT CONG (XEM HÌNH G1, G2)

Máy cửa lộng có thể cắt theo đường thẳng hoặc cắt theo đường cong mà bạn mong muốn.

8. ĐIỀU CHỈNH GÓC TẮM ĐẾ (XEM HÌNH. H1-H3)

LƯU Ý: Tháo bộ chuyển đổi bụi trước khi điều chỉnh tấm đế.

LƯU Ý: Xoay tấm đế đến vị trí mong muốn theo tỷ lệ. Đảm bảo lưới cửa được ăn khớp giữa bánh xe định vị lưới cửa.

Để điều chỉnh góc tấm đế, xoay cần điều chỉnh tấm đế về phía trước để mở khóa tấm đế. Đẩy tấm đế về phía trước một chút, sao cho các đường góc trên tấm đế và tấm góc chồng lên nhau ở góc mong muốn (0°, 15°, 30°, 45°).

Kéo tấm đế lại để siết chặt. Đối với các góc vát khác, hãy xoay theo góc mong muốn của bạn (sử dụng thước đo góc). Sau đó xoay công tắc điều chỉnh tấm đế về phía sau để khóa tấm đế ở góc đó. Cuối cùng, kiểm tra góc và đảm bảo tấm đế được kẹp chắc chắn.

LƯU Ý: Các dấu góc trên tấm đế là chính xác cho hầu hết các mục đích chung nhưng đối với công việc chính xác, nên đặt góc bằng thước đo góc và thực hiện cắt thử trên vật liệu khác.

9. CẢN BẢO VỆ LƯỚI CỬA

Phần cản bảo vệ lưới cửa nằm ở phía trước giá đỡ lưới cửa. Trong khi làm việc, nó sẽ giúp tránh vô tình tiếp xúc với lưới cửa đang chuyển động.

MEO SỬ DỤNG CHO MÁY CỬA LỘNG CỦA BẠN

Nếu máy cửa lộng của bạn trở nên quá nóng, đặc biệt khi sử dụng ở tốc độ thấp, hãy đặt tốc độ ở mức tối đa và chạy không tải trong 2-3 phút để làm mát động cơ. Tránh sử dụng kéo dài ở tốc độ rất thấp.

TỔNG QUAN

Luôn sử dụng lưới cắt phù hợp với vật liệu và độ dày vật liệu cần cắt. Luôn đảm bảo phôi được giữ hoặc kẹp chắc chắn để tránh dịch chuyển. Để điều khiển dễ dàng hơn, hãy sử dụng tốc độ thấp để bắt đầu cắt, sau đó tăng lên tốc độ phù hợp. Bất kỳ chuyển động nào của vật liệu đều có thể ảnh hưởng đến chất lượng vết cắt.

Lưới cắt theo hành trình đi lên và có thể làm sứt mẻ bề mặt hoặc mặt trên cùng của phôi. Đảm bảo bề mặt trên cùng của bạn là bề mặt không nhìn thấy được khi công việc của bạn hoàn thành.

CẮT LAMINATE

Sử dụng một lưới cửa có răng mịn khi cắt hầu hết các loại gỗ mỏng và vật liệu gỗ mỏng. Để giảm hiện tượng sứt mẻ cạnh, hãy kẹp các mảnh gỗ phế liệu ở cả hai đầu ở cả hai bên và cắt xuyên qua gỗ phế liệu trong quá trình cắt.

CẮT VÒNG TRÒN

Không sử dụng hoạt động đá lưới khi cắt các vòng tròn hoặc góc hẹp.

CỬA CHÌM (XEM HÌNH I1, I2)

Chỉ có thể sử dụng cửa chìm trên các vật liệu mềm như gỗ, bê tông khí, tấm thạch cao, v.v. Chỉ sử dụng lưới cửa ngắn. Đặt cạnh trước của

tấm để lên phôi và bật nguồn. Nhấn chặt máy vào phôi và đấm từ từ lưới cửa vào phôi. Ngay khi toàn bộ bề mặt của tấm để nằm trên chi tiết gia công, hãy tiếp tục cưa dọc theo đường cắt.

CẮT KIM LOẠI

Sử dụng lưới răng mịn hơn cho kim loại đen và lưới răng thô cho kim loại màu. Khi cắt tấm kim loại mỏng luôn kẹp gỗ ở cả hai mặt của tấm để giảm độ rung hoặc rách của tấm kim loại. Cả gỗ và tấm kim loại đều phải được cắt. Không ép lưới cắt khi cắt kim loại mỏng hoặc thép tấm vì chúng là những vật liệu cứng hơn và sẽ mất nhiều thời gian hơn để cắt. Lực lưới cắt quá lớn có thể làm giảm tuổi thọ của lưới cửa hoặc làm hỏng động cơ. Để giảm nhiệt trong quá trình cắt kim loại, hãy bôi thêm một ít chất bôi trơn dọc theo đường cắt.

BẢO TRÌ

Tháo bộ pin ra khỏi dụng cụ trước khi thực hiện bất kỳ kỳ điều chỉnh, bảo dưỡng hoặc bảo trì nào.

Tháo bộ pin ra khỏi dụng cụ trước khi thực hiện bất kỳ điều chỉnh, bảo dưỡng hoặc bảo trì nào. Dụng cụ điện của bạn không cần bôi trơn hoặc bảo trì thêm. Không có bộ phận nào trong dụng cụ điện của bạn cần bạn bảo dưỡng. Không bao giờ sử dụng nước hoặc chất tẩy rửa hóa học để làm sạch dụng cụ điện của bạn. Lau sạch bằng vải khô. Luôn bảo quản dụng cụ điện của bạn ở nơi khô ráo. Giữ sạch các khe thông gió của động cơ. Giữ tất cả các điều khiển hoạt động không có bụi. Thành thạo bạn có thể thấy tia lửa điện xuyên qua các khe thông gió. Điều này là bình thường và sẽ không làm hỏng dụng cụ điện của bạn.

DÀNH CHO DỤNG CỤ PIN

Phạm vi nhiệt độ môi trường xung quanh để sử dụng và bảo quản dụng cụ, pin là 0°C-45°C. Phạm vi nhiệt độ môi trường xung quanh được khuyến nghị cho hệ thống sạc trong khi sạc là 0°C-40°C.

BẢO VỆ MÔI TRƯỜNG



Các sản phẩm điện phế thải không được thải bỏ cùng với rác thải sinh hoạt. Hãy tái chế ở nơi có cơ sở vật chất. Hãy kiểm tra với chính quyền địa phương hoặc nhà bán lẻ để được tư vấn về tái chế.

MÁY CỬA LỌNG DỪNG PIN

EC

Tuyên bố về

Sự phù hợp



Chúng tôi :

HYUNDAI Corporation Holdings Europe
Am Kronberger Hang 2A, 65824, Schwalbach am Taunus
Germany

Chúng tôi tuyên bố rằng sản phẩm chi tiết dưới đây :
Máy cửa lọng dừng pin

MẪU : JS20X-26
CHỨC NĂNG : Cửa nhiều loại vật liệu

Đáp ứng các yêu cầu của các chỉ thị của Hội đồng :
2006/42/EC, 2014/30/EU
2011/65/EU & (EU)2015/863

Các tiêu chuẩn tuân thủ :
EN 62841-1, EN 62841-2-11,
EN IEC 55014-1, EN IEC 55014-2,
EN IEC 63000

Người được ủy quyền biên soạn hồ sơ kỹ thuật,
Tên : Hyundae Kim
Địa chỉ : HYUNDAI Corporation Holdings Europe
65824 Schwalbach am Taunus, Germany

VN

Giám đốc điều hành

Jaiwon Hur

Quản lý dự án

Sungwoo Hong

Ngày : 2024.09.25

ОРИГИНАЛНИ ИНСТРУКЦИИ БЕЗБЕДНОСТ НА ПРОИЗВОДОТ ОПШТ ЕЛЕКТЕН АЛАТ БЕЗБЕДНОСНИ ПРЕДУПРЕДУВАЊА



ПРЕДУПРЕДУВАЊЕ! Прочитајте ги сите безбедносни предупредувања, упатства, илустрации и спецификации дадени со оваа електрична алатка. Ако не се следат сите упатства наведени подолу, може да дојде до електричен удар, пожар и/или сериозни повреди.

Зачувајте ги сите предупредувања и упатства за идна референца.

Терминот „електричен алат“ во предупредувањата се однесува на вашиот електричен алат кој работи од мрежа (со кабел) или електричен алат кој работи на батерии (без жици).

1. БЕЗБЕДНОСТ НА РАБОТНИОТ ПРОСТОР

- a) Одржувајте ја работната површина чиста и добро осветлена. Преполните или темните области предизвикуваат несреќи.
- б) Не ракувајте со електричните алати во експлозивни атмосфери, како на пример во присуство на запаливи течности, гасови или прашина. Електричните алатки создаваат искри што може да ја запалат прашина или испарувањата.
- в) Држете ги децата и случајните минувачи подалеку додека ракувате со електрична алатка. Одвлекувањето на вниманието може да предизвика да изеубите контрола.

2. ЕЛЕКТРИЧНА БЕЗБЕДНОСТ

- a) Приклучоците за електричниот алат мора да одговараат на штекерот. Никогаш не го менувајте приклучокот на кој било начин. Не користете никакви приклучоци за адаптер со заземјени (заземјени) електрични алати. Непроменетите приклучоци и соодветните приклучоци ќе го намалат ризикот од електричен удар.

- б) Избегнувајте контакт на телото со заземјени или заземјени површини, како што се цевки, радијатори, полигопи и фрижидери. *Постои зголемен ризик од електричен удар ако вашето тело е заземјено или заземјено.*
- в) Не изложувајте ги електричните алати на дожд или влажни услови. *Водата што влегува во електричниот алат ќе го зголеми ризикот од електричен удар.*
- г) Не го злоупотребувајте кабелот. Никогаш не користете го кабелот за носење, влечење или исклучување на електричниот алат. Чувајте го кабелот подалеку од топлина, масло, остри рабови или подвижни делови. *Оштетените или заплетканите кабли го зголемуваат ризикот од електричен удар.*
- д) Кога ракувате со електрична алатка на отворено, користете продолжен кабел погоден за надворешна употреба. *Употребата на кабел погоден за надворешна употреба го намалува ризикот од електричен удар.*
- ѓ) Ако ракувањето со електрична алатка на влажна локација е неизбежно, користете уред за заштита од преостаната струја (RCD). *Употребата на RCD го намалува ризикот од електричен удар.*

3. ЛИЧНА БЕЗБЕДНОСТ

- a) Бидете внимателни, внимавајте што правите и користете здрав разум кога ракувате со електрична алатка. Не користете електрична алатка додека сте уморни или под дејство на дрога, алкохол или лекови. *Моментот на невнимание додека ракувате со електричните алати може да резултира со сериозна лична повреда.*
- б) Користете лична заштитна опрема. Секогаш носете заштита за очи. *Заштитната опрема како маска за прав, заштитни чевли што не се лизгаат, тврда капа или заштита за слух што се користат за соодветни услови ќе ги намали личните повреди.*
- в) Спречете ненамерно палење. Уверете се дека прекинувачот е во исклучена положба пред да се поврзете со изворот

БЕЗЖИЧНА УБОДНА ПИЛА

- на енергија и/или со батерискиот пакет, да ја земете или да ја носите алатката. Носењето електрични алати со прстот на прекинувачот или напојувањето на електричните алати на кои е вклучен прекинувачот предизвикува несреќи.
- г) **Отстранете го клучот за прилагодување или клучот пред да го вклучите електричниот алат.** *Клучот или клучот што е оставен закачен на ротирачкиот дел од електричниот алат може да резултира со лична повреда.*
- д) **Не претерувајте.** Одржувајте правилна основа и рамнотежа во секое време. *Ова овозможува подобра контрола на електричниот алат во неочекувани ситуации.*
- ф) **Облечете се правилно.** Не носете широка облека или накит. Чувајте ја вашата коса, облека и ракавици подалеку од подвижни делови. *Лабава облека, накит или долга коса може да се фатат во подвижни делови.*
- е) **Доколку се обезбедени уреди за поврзување на капацитети за вадење и собирање прашина, проверете дали тие се поврзани и правилно користени.** *Употребата на собирање прашина може да ги намали опасностите поврзани со прашина.*
- ж) **Не дозволувајте блискоста добиена од честата употреба на алатките да ви овозможи да станете самозадоволни и да ги игнорирате принципите за безбедност на алатот.** *Невнимателно дејство може да предизвика сериозна повреда во дел од секундата.*
- #### 4. УПОТРЕБА И НЕГА НА ЕЛЕКТЕН АЛАТ
- а) **Не присилувајте го електричниот алат.** Користете ја правилната електрична алатка за вашата апликација. *Правилниот електричен алат ќе ја заврши работата подобро и побезбедно со брзината за која е дизајнирана.*
- б) **Не користете го електричниот алат ако прекинувачот не го вклучува и исклучува.** *Секој електричен алат што не може да се контролира со прекинувачот е опасен и мора да се поправи.*
- в) **Исклучете го приклучокот од изворот на струја и/или батерискиот пакет од електричниот алат пред да извршите какви било прилагодувања, да менувате додатоци или да ги чувате електричните алати.** *Ваквите превентивни безбедносни мерки го намалуваат ризикот од случајно палење на електричниот алат.*
- г) **Чувајте ги електричните алати во мирување подалеку од дофат на деца и не дозволувајте лица кои не се запознаени со електричниот алат или со овие упатства да ракуваат со електричниот алат.** *Електричните алатки се опасни во рацете на необучени корисници.*
- д) **Одржувајте ги електричните алати.** Проверете дали има неусогласеност или врзување на подвижните делови, кршење на делови и каква било друга состојба што може да влијае на работата на електричниот алат. *Доколку е оштетен, поправете го електричниот алат пред употреба. Многу несреќи се предизвикани од лошо одржувани електрични алати.*
- е) **Чувајте ги алатките за сечење остри и чисти.** *Правилно одржуваните алати за сечење со остри рабови за сечење имаат помала веројатност да се врзат и полесно се контролираат.*
- е) **Користете го електричниот алат, додатоците и деловите за алат итн. во согласност со овие упатства, земајќи ги предвид работните услови и работата што треба да се изврши.** *Употребата на електричниот алат за операции различни од планираните може да доведе до опасна ситуација.*
- ж) **Чувајте ги рачките и површините за фаќање суви, чисти и без масло и маснотии.** *Лизгавите рачки и површините за фаќање не дозволуваат безбедно ракување и контрола на алатот во неочекувани ситуации.*
- #### 5. КОРИСТЕЊЕ И НЕГА НА АЛАТ ЗА БАТЕРИЈА
- а) **Полнете само со полначот наведен од производителот.** *Полнач кој е соодветен за еден тип батериски пакет може да*

создаде ризик од пожар кога се користи со друге батериски пакет.

- б) Користете електрични алати само со специјално назначени батерии.** Употребата на други батерии може да создаде ризик од повреда и пожар.
- в) Кога батерискиот пакет не се користи, држете го подалеку од други метални предмети, како што се спојки за хартија, монети, клучеви, клинцци, завртки или други мали метални предмети, кои можат да направат поврзување од еден терминал до друг.** *Скратувањето на терминалите на батеријата може да предизвика изгореници или пожар.*
- г) Под навредливи услови, течноста може да се исфрли од батеријата; избегнувајте контакт. Ако случајно дојде до контакт, исплакнете со вода. Доколку течноста дојде во контакт со очите, дополнително побарајте лекарска помош. Исфрлената течност од батеријата може да предизвика иритација или изгореници.**
- д) Не користете батериски пакет или алатка што е оштетена или изменета.** *Оштетените или изменетите батерии може да покажат непредвидливо однесување што резултира со пожар, експлозија или ризик од повреда.*
- е) Не изложувајте батериски пакет или алатка на оган или прекумерна температура.** *Изложеноста на оган или температура над 130°C може да предизвика експлозија.*
- е) Следете ги сите упатства за полнење и не полнете ја батеријата или алатката надвор од температурниот опсег наведен во упатствата. Неправилно полнење или на температури надвор од наведениот опсег може да ја оштети батеријата и да го зголеми ризикот од пожар.**
- 6. СЕРВИС**
- а) Обезбедете ја вашата електрична алатка да ја сервисира квалификувано лице за поправка користејќи само идентични резервни делови. Ова ќе осигури дека се одржува безбедноста на електричниот алат.**

- б) Никогаш не ги сервисирајте оштетените батерии.** *Сервисирањето на батериските пакувања треба да го врши само производителот или овластените даватели на услуги.*

ПИЛА ПРЕДУПРЕДУВАЊА

- 1. Држете ја пилата за жига за изолираните површини за држење, кога вршите операција каде што додатокот за сечење може да дојде во контакт со скриените жици.** *Додатокот за сечење кој контактира со жица „жива“ може да ги направи откриените метални делови на електричниот алат „во живо“ и може да предизвика електричен удар на операторот.*
- 2. Користете стеги или друг практичен начин за да го прицврстите и потпрете работното парче на стабилна платформа.** *Држењето на работата со рака или против вашето тело ја остава нестабилна и може да доведе до губење на контролата.*

СИМБОЛИ



За да се намали ризикот од повреда, корисникот мора да го прочита упатството за употреба



Предупредување



Носете заштита за уши



Носете заштита за очи



Носете маска за прашина



Отпадните електрични производи не смеат да се фрлаат со домашен отпад. Ве молиме рециклирајте таму каде што има капацитети. Проверете кај вашите локални власти или продавач за совет за рециклирање.

БЕЗЖИЧНА УБОДНА ПИЛА

ЛИСТА НА КОМПОНЕНТИ

1. КОПЧЕ ЗА ЗАКЛУЧУВАЊЕ
2. ВКЛУЧУВАЧ ЗА ВКЛУЧУВАЊЕ/ИСКЛУЧУВАЊЕ
3. КОПЧЕ ЗА ОСЛОБОДУВАЊЕ НА БАТЕРИЈАТА *
4. ИНДИКАТОР ЗА КАПАЦИТЕТ НА БАТЕРИЈАТА *
5. БАТЕРИЈА *
6. АДАПТЕР ЗА ПРАШИНА
7. РАЧКА ЗА ПРИЛАГОДУВАЊЕ НА ОСНОВНАТА ПЛОЧА
8. КОПЧЕ ЗА КОНТРОЛА НА ДЕЈСТВОТО НА НИШАЛО
9. ОСНОВНА ПЛОЧА
10. ВОДИЧ ЗА ВАЛКИ
11. ПАРАЛЕЛЕН ВОДИЧ
12. ЛЕКОТ ЗА ПИЛА
13. ПАРАЛЕЛНА ВОДИЧКА КОПЧЕ ЗА БРАВАЊЕ
14. ДРЖАЧ ЗА НОЖИЛ БЕЗ АЛАТКИ
15. ЗАШТИТА НА ПРСТИ
16. РАЧКА ЗА ДРЖАЧ ЗА НОЖИЧ БЕЗ АЛАТКИ
17. LED СВЕТЛО

* Не сите илустрирани или опишани додатоци се вклучени во стандардната испорака.

ТЕХНИЧКИ ПОДАТОЦИ

Тип JS20X-26 (20X-26-ознака на машини, претставник на пила за жига)

Номинален напон	18V \equiv (макс. 20 V)	
Нема брзина на оптоварување	0-3500 /мин	
Должина на ударот	26мм	
Капацитет на коси	$\pm 45^\circ$	
Максимална длабочина на сечење	Дрво	120мм
	Челик	10мм
Тежина на машината (без батерија)	2.12кг	

ПОГОДНИ БАТЕРИИ

Точка број	BI20-2	BI20-4
Капацитет на батеријата	2,0 Ах	4,0 Ах
	Не се вклучени	Препорачано (Не е вклучено)

ПОГОДНИ ПОЛНАЧИ

Точка број	C20-2	C20-4
Влез на полнач	100-240V~50/60Hz, 55W	100-240V~50/60Hz, 95W
Излез на полнач	20V \equiv 2.0A	20V \equiv 4.0A

Време на полнење (прибл.)	1 час (2,0 Ah) 2 часа (4,0 Ah)	30 минути (2,0 Ah) 60 минути (4,0 Ah)
Класа за заштита на полнач	□ /II	□ /II
	Не се вклучени	Не се вклучени

ИНФОРМАЦИИ ЗА БУЧАВА

Пондериран звучен притисок	L_{pA} : 85dB (A)
Пондерирана звучна моќ	L_{wA} : 93dB (A)
K_{pA} & K_{wA}	5.0dB (A)
Носете заштита за уши.	

ИНФОРМАЦИИ ЗА ВИБРАЦИИ

Вкупни вредности на вибрации (триакс векторски збир) утврдени според EN 62841:	
Даски за сечење	Вредност на емисија на вибрации: $a_{h,B} = 6.83 \text{ m/s}^2$
	Несигурност $K = 1.5 \text{ m/s}^2$
Сечење метал од челик	Вредност на емисија на вибрации: $a_{h,M} = 6.49 \text{ m/s}^2$
	Несигурност $K = 1.5 \text{ m/s}^2$

Декларираната вкупна вредност на вибрациите и декларираната вредност на емисија на бучава се измерени во согласност со стандарден метод на тестирање и може да се користат за споредување на една алатка со друга. Декларираната вкупна вредност на вибрациите и декларираната вредност на емисија на бучава може да се користат и при прелиминарна проценка на изложеноста.

⚠ ПРЕДУПРЕДУВАЊЕ: Емисиите на вибрации и бучава за време на вистинската употреба на електричниот алат може да серазликуваат од декларираната вредност во зависност од начините на кои се користи алатот, особено каков вид на обработено парче се обработува во зависност од следните примери и други варијации за тоа како се користи алатот: Како се користи алатот и материјалите што се сечат или дупчат. Алатката е во добра состојба и добро одржувана. Употреба на правилен додаток за алатот и обезбедување дека е остра и во добра состојба. Затегнатоста на рачката на рачките и доколку се користат додатоци против вибрации и бучава. И алатката се користи како што е предвидено со неговиот дизајн и овие упатства.

Оваа алатка може да предизвика синдром на вибрации на рака-рака доколку не се управува соодветно со нејзината употреба.

⚠ ПРЕДУПРЕДУВАЊЕ: Да бидеме точни, проценка на нивото на изложеност во реалните услови на употреба треба да ги земе предвид и сите делови од работниот циклус, како што се времињата кога алатката е исклучена и кога работи во мирување, но всушност не ја врши работата. Ова може значително да го намали нивото на изложеност во текот на вкупниот работен период. Помага да се минимизира ризикот од вибрации и изложеност на бучава. Секогаш користете остри длета, дупчалки и сечила. Одржувајте ја оваа алатка во согласност со овие упатства и чувајте ја добро подмачкана (каде што е соодветно). Ако алатот треба да се користи редовно, тогаш инвестирајте во додатоци против вибрации и бучава. Планирајте го вашиот работен распоред за да ја проширите употребата на алат со високи вибрации низ неколку денови.

БЕЗЖИЧНА УБОДНА ПИЛА

ДОДАТОЦИ

Сечило за сечење дрво	1
Адаптер за прашина	
Основен капак	1
Паралелен водич	1

Ви препорачуваме да ги купите вашите додатоци од истата продавница што ви ја продаде алатката. Погледнете го пакувањето на додатоците за повеќе детали. Персоналот на продавницата може да ви помогне и да понуди совет.

РАБОТА ИНСТРУКЦИИ



ЗАБЕЛЕШКА: Пред да ја користите алатката, внимателно прочитајте ја книгата со упатства.

НАМЕНСКА УПОТРЕБА

Машината е наменета за пилање дрво, пластика, метал и градежни материјали додека цврсто лежи на работното парче. Погоден е за прави и криви кроеви. Треба да се почитуваат препораките на сечилото за пила.

ПРЕД СТАВАЊЕ ВО РАБОТА

1. ОТСТРАНУВАЊЕ И ИНСТАЛИРАЊЕ НА БАТЕРИЈАТА (НЕ СЕ ИСПОРАЧУВА) (ВИДИ СЛИКА А1, А2)

Прво цврсто притиснете го копчето за ослободување на батериите, а потоа извлечете го од вашата алатка. Лизгајте го целосно наполнетиот батериски пакет на алатката со доволна сила додека не кликне во положбата.

2. МОНТАЖУВАЊЕ НА БЛАДОТ

ЗАБЕЛЕШКА: Извадете го батерискиот пакет од пилата за жига пред да извршите какво било прилагодување, сервисирање или одржување. Носете заштитни ракавици кога го монтирате листот на пилата.

- Вметнување на сечилото на пилата (види слика В1)

За да го отворите држачот на сечилото, завртете ја бравата за ослободување на сечилото во насока на стрелките на часовникот (вигачка пила наопаку) и држете ја во позиција. Потоа целосно вметнете го сечилото во отворот за држачот на сечилото со забите на сечилото свртени напред и ослободете

ја бравата за ослободување на сечилото, која самостојно ќе се ротира и ќе се стегне над врвот на сечилото. Повторно турнете го сечилото во држачот за сечилото за да се осигурате дека е заклучено во положбата. Погрижете се работ на сечилото да се наоѓа во жлебот на водилката за валјакот.

- Отстранување на сечилото на пилата (види слика Б2)

За да извадите сечило, држете го сечилото и завртете ја бравата за ослободување на сечилото во насока на стрелките на часовникот, а потоа подигнете го сечилото (сечилото може да се исфрли со пролет).



ПРЕДУПРЕДУВАЊЕ! Забите на сечилото се многу остри. За најдобри резултати во сечењето, погрижете се да користите сечило што одговара на материјалот и квалитетот на сечењето што ви треба.



ПРЕДУПРЕДУВАЊЕ! Новокористеното сечило на пилата е многу жешко, ве молиме внимавајте да се излади или да носите заштитни ракавици.

3. МОНТИРАЊЕ НА ПАРАЛЕЛНИОТ ВОДИЧ (ВИДИ СЛИКА В)

Зашрафете го копчето за заклучување на паралелната водилка спротивно од стрелките на часовникот за да ги зголемите дупките каде што е вметната паралелната водилка. Потоа, излизгајте ја паралелната водечка рака низ двете отвори и затегнете го копчето за заклучување во насока на стрелките на часовникот за да го постигнете потребното растојание за сечење.

ЗАБЕЛЕШКА: Можете да го монтирате паралелниот водич од двете страни како што е прикажано на сл. В.

4. ИНСТАЛИРАЊЕ НА АДАПТЕРОТ ЗА ПРАШИНА (ВИДИ СЛИКА Д)

Монтирајте ја цевката за адаптер за прав во отворот на основната плоча. Проверете дали пластичниот врв на адаптерот за прав се заглавува во соодветниот отвор на кукиштето.

5. КОНТРОЛА НА ДЕЈСТВОТО НА НИШАЛНОТО (ВИДИ СЛИКА Д)

Дејството на нишалото го менува предниот агол на сечење на сечилото за зголемена ефикасност на сечењето. Ова исто така може да се прилагоди кога работи без оптоварување. Погледнете ја табелата подолу за повеќе детали. Не употребувајте прекумерна сила на сечилото кога сечете со дејството на нишалото. Сечилото сече само на нагорен удар.

0	Тенки материјали. Фини парчиња. Тесни облици.
1	Цврсти материјали, (на пр. челик и иверка)
2	Дебели материјали (на пр. дрво) и пластика
3	Брзо сечење (на пр. меко дрво). Сечење во правец на зрното дрво.

6. БЕЗБЕДНОСЕН ПРЕКЛУЧУВАЧ ЗА ВКЛУЧУВАЊЕ/ИСКЛУЧУВАЊЕ (ВИДИ СЛИКА Ѓ)

За да го заклучите прекинувачот за вклучување/исклучување, ставете го копчето за заклучување во средишната положба. Ова помага да се намали можноста за случајно палење кога не се користи.

Притиснете го копчето за заклучување лево или десно, потоа прекинувачот за вклучување/исклучување и отпуштете го копчето за заклучување. Вашиот прекинувач сега е вклучен. За да се исклучите, само отпуштете го прекинувачот за вклучување/исклучување.

ЗАБЕЛЕШКА: LED светлото автоматски ќе ја осветли работната зона кога производот е вклучен.

 **ПРЕДУПРЕДУВАЊЕ!** Не гледајте директно во LED светло!

- КОНТРОЛА НА ПРОМЕНЛИВА БРЗИНА

Прекинувачот за вклучување/исклучување е исто така прекинувач за активирање со контролирана променлива брзина.

Брзината може да се прилагоди од минимум до максимална со притисокот што го применувате на прекинувачот за вклучување/исклучување. Нанесете повеќе притисок за да ја зголемите брзината и ослободете го притисокот за да ја намалите брзината.

7. ПРАВЕН ИЗЕК И КРИВЕН ИЗЕК (ВИДИ СЛИКА G1, G2)

Моторната пила може да сече права линија или да се сече според саканата крива.

8. ПРИЛАГОДУВАЊЕ НА АГОЛОТ НА ОСНОВНАТА ПЛОЧА (ВИДИ СЛИКА H1-H3)

ЗАБЕЛЕШКА: Отстранете го адаптерот за прав пред да ја наместите основната плоча.

ЗАБЕЛЕШКА: Завртете ја основната плоча до саканата положба според скалата. Осигурете се дека сечилото е заглавено помеѓу тркалото за позиционирање на сечилото. За да го прилагодите аголот на основната плоча, завртете ја рачката за прилагодување на основната плоча напред за да ја отклучите основната плоча. Притиснете ја основната плоча малку напред, така што линиите на аголот на основната плоча и аголната плоча се препоставуваат под саканиот агол (0°, 15°, 30°, 45°). Повлечете ја основната плоча назад да го затегнете. За други митра агли, ротирајте до саканиот агол (користете скала на транспортер). Потоа завртете го прекинувачот за прилагодување на основната плоча напред за да ја заклучите основната плоча под тој агол. Конечно, проверете го аголот и проверете дали основната плоча е цврсто стегната.

ЗАБЕЛЕШКА: Ознаките на аголот на основната плоча се точни за повеќето општи намени, но за точна работа се препорачува да се постави аголот со транспортер и да се направи пробно сечење на друг материјал.

9. ЗАШТИТА НА ПРСТИ

Заштитата на прстите се наоѓа пред држачот на сечилото. Додека работи, ќе помогне да се спречи случаен контакт со сечилото што се движи.

БЕЗЖИЧНА УБОДНА ПИЛА

РАБОТНИ СОВЕТИ ЗА ВАШАТА ПИЛА

Ако вашата пила за движење стане премногу жешка, особено кога се користи со мала брзина, поставете ја брзината на максимална и не оптоварувајте 2-3 минути за да го изладите моторот. Избегнувајте продолжена употреба при многу мали брзини.

ОПШТО

Секогаш користете сечило кое одговара на материјалот и дебелината на материјалот што треба да се сече. Секогаш проверувајте дали работното парче е цврсто држено или прицврстено за да спречите движење. За полесна контрола, користете мала брзина за да започнете со сечење, а потоа зголемете ја за да ја поправите брзината. Секое движење на материјалот може да влијае на квалитетот на сечењето.

Сечилото го пресекува ударот нагоре и може да ја скрши најгорната површина или лицето на работното парче.

Осигурете се дека вашата најгорна површина е невидлива површина кога вашата работа е завршена.

СЕЧЕЊЕ ЛАМИНАТИ

Користете фино сечило за заби кога ги сечете повеќето ламинати и тенки дрвени материјали. За да го намалите отсекувањето на рабовите, затегнете ги парчињата отпадно дрво на двата краја од двете страни и пресечете го отпадното дрво за време на сечењето.

СЕЧЕЊЕ НА КРУГИ

Не користете го дејството на нишалото кога сечете тесни кругови или агли.

НУЖЕЊЕ ПИЛА (ВИДИ СЛИКА 11, 12)

Потопното сечење може да се користи само на меки материјали како што се дрво, газобетон, гипс гипс и др.

Користете само кратки ножеви за пила. Поставете го предниот раб на основната плоча на работното парче и вклучете го. Притиснете ја машината цврсто на работното парче и полека втурнете го сечилото на пилата во работното парче.

Штом целата површина на основната плоча ќе се потпре на работното парче, продолжете со пила по линијата за сечење.

СЕЧЕЊЕ МЕТАЛИ

Користете пофино сечило за заби за црни метали и грубо сечило за обоени метали. Кога сечете тенок лим, секогаш стегајте дрво од двете страни на лимот за да ги намалите вибрациите или кинењето на лимот. И дрвото и лимот мора да се исечат. Не присилувајте го сечилото за сечење кога сечете тенок метал или челичен лим бидејќи тие се поцврсти материјали и ќе им треба подолго време за сечење. Прекумерната сила на сечилото може да го намали животниот век на сечилото или да го оштети моторот. За да ја намалите топлината за време на сечењето метал, додадете малку лубрикант долж линијата за сечење.

ОДРЖУВАЊЕ

Отстранете ја батеријата пред да извршите какво било прилагодување, сервисирање или одржување.

Вашата алатка не бара дополнително подмачкување или одржување.



Нема делови што може да се сервисираат од страна на вашиот електричен алат. Никогаш не користете вода или хемиски средства за чистење за да го чистите вашиот електричен алат. Избришете го со сува крпа. Секогаш чувајте го вашиот електричен алат на суво место. Чувајте ги отворите за вентилација на моторот чисти. Чувајте ги сите работни контроли без прашина.

Повремено може да видите искри низ отворите за вентилација. Ова е нормално и нема да го оштети вашиот електричен алат.

ЗА АЛАТ ЗА БАТЕРИИ

Опсегот на амбиентална температура за употреба и складирање на алатот и батеријата е 0°C-45°C. Препорачаниот опсег на температурата на околината за системот за полнење за време на полнењето е 0°C-40°C.

ЗАШТИТА

 Отпадните електрични производи не смеат да се фрлаат со домашен отпад. Ве молиме рециклирајте таму каде што  има капацитети. Проверете кај вашите локални власти или продавач за совет за рециклирање.

ЕС Декларација за усогласеност



Ние : **HYUNDAI Corporation Holdings Europe**
Am Kronberger Hang 2A, 65824, Schwalbach am Taunus
Germany

Изјави дека производот е детално опишан подолу:
Безжична уводна пила

МОДЕЛ: JS20X-26
ФУНКЦИЈА : Пила разни материјали

Ги задоволува барањата од Директивите на Советот :
2006/42/EC, 2014/30/EU
2011/65/EU & (EU)2015/863

Стандардите се во согласност со :
EN 62841-1, EN 62841-2-11,
EN IEC 55014-1, EN IEC 55014-2,
EN IEC 63000

Лицето овластено за составување на техничкото досие,
Име : Hyundai Kim
Адреса : HYUNDAI Corporation Holdings Europe
65824 Schwalbach am Taunus, Germany

Главен менаџер

Jaiwon Hur

Проектен менаџер

Sungwoo Hong

Датум : 2024.09.25

AKÜLÜ DEKUPAJ TESTERE

ORJİNAL TALİMATLAR ÜRÜN GÜVENLİĞİ GENEL ELEKTRİKLİ EL ALETİ GÜVENLİK UYARILARI



UYARI! Tüm güvenlik uyarılarını, talimatları, resimleri ve

Bu elektrikli aletle birlikte verilen teknik özellikler. Aşağıda listelenen tüm talimatlara uyulmaması elektrik çarpmasına, yangına ve/veya ciddi yaralanmalara neden olabilir.

Tüm uyarıları ve talimatları ilerde başvurmak üzere saklayın.

Uyarılarda geçen "elektrikli alet" terimi, şebeke elektriğiyle çalışan (kablolu) elektrikli aletinizi veya aküyle çalışan (kablesiz) elektrikli aletinizi ifade eder.

1. ÇALIŞMA ALANI GÜVENLİĞİ

- Çalışma alanını temiz ve iyi aydınlatılmış tutun. Dağınık veya karanlık alanlar kazalara davetiye çıkarır.
- Elektrikli aletleri yanıcı sıvılar, gazlar veya toz gibi patlayıcı ortamlarda çalıştırmayın. Elektrikli aletler, tozu veya dumanı tutuşturabilecek kıvılcımlar oluşturur.
- Elektrikli bir aleti kullanırken çocukları ve çevredekileri uzak tutun. Dikkatinizin dağılması kontrolü kaybetmenize neden olabilir.

2. ELEKTRİK GÜVENLİĞİ

- Elektrikli alet fişleri prize uygun olmalıdır. Fişi hiçbir şekilde değiştirmeyin. Topraklı elektrikli aletlerde adaptör fişi kullanmayın. Değiştirilmemiş fişler ve eşleşen prizler elektrik çarpması riskini azaltacaktır.
- Borular, radyatörler, ocaklar ve buzdolapları gibi topraklanmış yüzeylerle vücut temasından kaçının. Artan bir risk vardır. Vücudunuz topraklarsa elektrik çarpması tehlikesi vardır.
- Elektrikli aletleri yağmura veya ıslak koşullara maruz bırakmayın. Elektrikli bir alete su girmesi elektrik çarpması riskini artıracaktır.
- Kabloyu kötüye kullanmayın. Kabloyu asla elektrikli aleti taşımak, çekmek veya fişten çıkarmak için kullanmayın. Kabloyu ısıdan, yağdan, keskin kenarlardan veya hareketli parçalardan uzak tutun. Hasarlı veya dolaşmış kablolar elektrik çarpması riskini artırır.
- Elektrikli bir aleti açık havada kullanırken, açık havada kullanım için uygun bir uzatma

kablosu kullanın. Dış mekanda kullanıma uygun bir kablunun kullanılması elektrik çarpması riskini azaltır.

- Elektrikli bir aletin nemli bir yerde çalıştırılması kaçınılmazsa, artık akım cihazı (RCD) korumalı bir besleme kullanın. RCD kullanımı elektrik çarpması riskini azaltır.

3. KİŞİSEL GÜVENLİK

- Dikkatli olun, ne yaptığınıza dikkat edin ve elektrikli bir aleti kullanırken sağduyulu davranın. Yorgunken veya uyuşturucu, alkol veya ilaç etkisi altındayken elektrikli alet kullanmayın. Elektrikli aletleri kullanırken bir anlık dikkatsizlik ciddi yaralanmalara neden olabilir.
- Kişisel koruyucu ekipman kullanın. Daima göz koruması kullanın. Uygun koşullar için kullanılan toz maskesi, kaymayan güvenlik ayakkabıları, baret veya işleme koruması gibi koruyucu ekipmanlar kişisel yaralanmaları azaltacaktır.
- İstem dışı çalıştırmayı önleyin. Güç kaynağına ve/veya akü paketine bağlamadan, aleti kaldırmadan veya taşımadan önce şalterin kapalı konumunda olduğundan emin olun. Elektrikli aletleri parmağınız şalterin üzerindeyken taşımak veya şalteri açık olan elektrikli aletlere enerji vermek kazalara davetiye çıkarır.
- Elektrikli aleti çalıştırmadan önce herhangi bir ayar anahtarını veya anahtarı çıkarın. Elektrikli aletin dönen bir parçasına takılı kalan bir anahtar veya anahtar yaralanmalara neden olabilir.
- Aşırı uzanmayın. Her zaman düzgün basmaya ve dengede durmaya dikkat edin. Bu, beklenmedik durumlarda elektrikli aletin daha iyi kontrol edilmesini sağlar.
- Düzgün giyinin. Bol giysiler giymeyin veya takı takmayın. Saçınızı, giysilerinizi ve eldivenlerinizi hareketli parçalardan uzak tutun. Bol giysiler, takılar veya uzun saçlar hareketli parçalara takılabilir.
- Toz emme ve toplama tesislerinin bağlantısı için cihazlar sağlanmışsa, bunların bağlı ve düzgün olduğundan emin olun kullanılır. Toz toplama sisteminin kullanılması tozla ilgili tehlikeleri azaltabilir.
- Aletlerin sık kullanımından kaynaklanan aşınalığın kayıtsız kalmanıza ve alet güvenliği ilkelerini göz ardı etmenize izin vermesine izin vermeyin. Dikkatsiz bir hareket saniyenin çok küçük bir bölümünde ciddi yaralanmalara neden olabilir.

4. ELEKTRİKLİ ALET KULLANIMI VE BAKIMI

- Elektrikli aleti zorlamayın. Uygulamanız için doğru elektrikli aleti kullanın. Doğru elektrikli el aleti, tasarlandığı hızda işi daha iyi ve daha güvenli yapacaktır.**
- Şalter aleti açık kapatmıyorsa aleti kullanmayınız. Şalter ile kontrol edilemeyen elektrikli aletler tehlikelidir ve onarılmalıdır.**
- Herhangi bir ayarlama yapmadan, değiştirmeden önce fişi güç kaynağından çekin ve/veya sökülebiliyorsa akü paketini elektrikli aletten çıkarın. aksesuarlar veya elektrikli aletlerin depolanması. Bu tür önleyici güvenlik önlemleri, elektrikli aletin yanlışlıkla çalıştırılma riskini azaltır.**
- Kullanılmayan elektrikli aletleri çocukların erişemeyeceği yerlerde saklayın ve elektrikli aleti veya bu talimatları bilmeyen kişilerin kullanımına izin vermeyin. elektrikli aleti çalıştırmak için. Elektrikli aletler eğitimsiz kullanıcıların elinde tehlikelidir.**
- Elektrikli aletlerin bakımını yapın. Hareketli parçaların yanlış hizalanmasını veya sıkışmasını, parçaların kırılmasını ve elektrikli aletin çalışmasını etkileyebilecek diğer durumları kontrol edin. Eğer hasarlıysa elektrikli aleti kullanmadan önce onarın. Birçok kazaya bakımı iyi yapılmamış elektrikli aletler neden olmaktadır.**
- Kesici aletleri keskin ve temiz tutun. Keskin kesici kenarlara sahip, bakımı düzgün yapılmış kesici aletlerin takılma olasılığı daha düşüktür ve kontrol edilmeleri daha kolaydır.**
- Elektrikli el aletini, aksesuarları ve alet uçlarını vs. bu talimatlara uygun olarak, çalışma koşullarını ve yapılacak işi dikkate alarak kullanınız. Elektrikli el aletinin öngörülenden farklı amaçlarla kullanılması tehlikeli durumlara yol açabilir.**
- Tutamakları ve kavrama yüzeylerini kuru, temiz ve yağsız ve gressiz tutun. Kaygan tutamaklar ve kavrama yüzeyleri, beklenmedik durumlarda aletin güvenli bir şekilde kullanılmasına ve kontrol edilmesine izin vermez.**

5. AKÜ ALETİ KULLANIMI VE BAKIMI

- Yalnızca üretici tarafından belirtilen şarj cihazıyla şarj edin. Bir tip pil takımı için uygun olan bir şarj cihazı, başka bir pil takımı ile kullanıldığında yangın riski oluşturabilir.**
- Elektrikli el aletlerini sadece özel olarak belirlenmiş akü paketleri ile kullanın. Başka akü paketlerinin kullanılması yaralanma ve yangın riski oluşturabilir.**

- Pil takımı kullanılmadığında, bir terminalden diğerine bağlantı yapabilecek ataç, bozuk para, anahtar, çivi, vida veya diğer küçük metal nesnelere gibi diğer metal nesnelere uzak tutun. Akü terminallerinin birbirine kısa devre yapması yanıklara veya yangına neden olabilir.**
- Kötü koşullar altında aküden sıvı çıkabilir; temastan kaçının. Kazara temas olursa, suyla yıkayın. Sıvı gözlere temas ederse, yangına, patlamaya veya yaralanma riskine neden olabilir. ayrıca tıbbi yardım alın. Aküden çıkan sıvı tahrişe veya yanıklara neden olabilir.**
- Hasarlı veya modifiye edilmiş bir akü paketini veya aleti kullanmayın. Hasarlı veya değiştirilmiş aküler öngörülemeyen davranışlar sergileyebilir**
- Pil takımı veya aleti ateşe veya aşırı sıcaklığa maruz bırakmayın. Ateşe veya 130°C'nin üzerindeki sıcaklığa maruz bırakılması patlamaya neden olabilir.**
- Tüm şarj talimatlarına uygun ve akü paketini veya aleti talimatlarda belirtilen sıcaklık aralığının dışında şarj etmeyin. Uygun olmayan şekilde veya belirtilen aralığın dışındaki sıcaklıklarda şarj etmek aküye zarar verebilir ve yangın riskini artırabilir.**

6. SERVİS

- Elektrikli aletinizin bakımını sadece aynı yedek parçaları kullanarak kalifiye bir onarım personeline yaptırın. Bu, elektrikli aletin güvenliğinin korunmasını sağlayacaktır.**
- Hasarlı akü paketlerine asla servis uygulamayın. Akü paketlerinin servisi yalnızca üretici veya yetkili servis sağlayıcılar tarafından yapılmalıdır.**

JIG TESTERE GÜVENLİK UYARILARI

- Kesme aksesuarının gizli kablolarla temas edebileceği bir işlem yaparken jig testereyi yalıtımlı kavrama yüzeylerinden tutun. Kesme aksesuarının "gerilim altındaki" bir kabloya temas etmesi, elektrikli el aletinin açığındaki metal parçalarını "gerilim altında" bırakabilir ve operatörün elektrik çarpmasına neden olabilir.**
- İş parçasını sabit bir platforma sabitlemek ve desteklemek için kelepçeler veya başka bir pratik yol kullanın. İşi elinizle veya vücudunuza yaslayarak tutmak dengesiz kalmasına ve kontrolün kaybedilmesine neden olabilir.**

AKÜLÜ DEKUPAJ TESTERE

SEMBOLLER



Yaralanma riskini azaltmak için kullanıcı kullanım kılavuzunu okumalıdır



Uyarı



Kulak koruması takın



Göz koruması kullanın



Toz maskesi takın



Atık elektrikli ürünler evsel atıklarla birlikte atılmamalıdır. Lütfen tesislerin bulunduğu yerlerde geri dönüştürün. Kontrol edin geri dönüşüm tavsiyesi için yerel yetkililere veya perakendecinize başvurun.

BİLEŞEN LİSTESİ

1. KILITLEME DÜĞMESİ
2. AÇMA/KAPAMA ŞALTERİ
3. AKÜ PAKETİ SERBEST BIRAKMA DÜĞMESİ *
4. AKÜ KAPASİTE GÖSTERGESİ *
5. AKÜ PAKETİ *
6. TOZ ADAPTÖRÜ
7. TABAN PLAKASI AYAR KOLU
8. SARKAÇ HAREKET KONTROL DÜĞMESİ
9. TABAN PLAKASI
10. MAKARA KILAVUZU
11. PARALEL KILAVUZ
12. TESTERE BIÇAĞI
13. PARALEL KILAVUZ KILIT DÜĞMESİ
14. ALETSİZ BIÇAK TUTUCU
15. PARMAK KORUMA
16. ALETSİZ BIÇAK TUTUCU KOLU
17. LED IŞIK

* Resimde gösterilen veya açıklanan tüm aksesuarlar standart teslimata dahil değildir.

TEKNİK BİLGİLER

Tip JS20X-26 (20X-26-makine tanımı, jig testereyi temsil eder)

Nominal gerilim		18V \equiv (20V Maks.)
Yüksüz hız		0-3500 /dak
Strok uzunluğu		26mm
Eğim kapasitesi		$\pm 45^\circ$
Maksimum kesme derinliği	Ahşap	120mm
	Çelik	10mm
Makine ağırlığı (aküsüz)		2.12kg

UYGUN BATARYA PAKETLERİ

Ürün numarası	BI20-2	BI20-4
Akü kapasitesi	2.0Ah	4.0Ah
	Dahil değildir	Tavsiye edilir (Dahil değildir)

UYGUN ŞARJ CİHAZLARI

Ürün numarası	C20-2	C20-4
Şarj cihazı girişi	100-240V~50/60Hz, 55W	100-240V~50/60Hz, 95W
Şarj cihazı çıkışı	20V \equiv 2.0A	20V \equiv 4.0A

AKÜLÜ DEKUPAJ TESTERE

Şarj süresi (yaklaşık)	1 saat (2.0 Ah) 2 saat (4.0 Ah)	30 dakika (2.0 Ah) 60 dakika (4.0 Ah)
Şarj cihazı koruma sınıfı	□ / II	□ / II
	Dahil değildir	Dahil değildir

GÜRÜLTÜ BİLGİSİ

Ağırlıklı ses basıncı	L_{pA} : 85dB (A)
Ağırlıklı bir ses gücü	L_{wA} : 93dB (A)
K_{pA} & K_{wA}	5.0dB (A)
Kulak koruması kullanın.	

TİTREŞİM BİLGİLERİ

Titreşim toplam değerleri (üç eksenli vektör toplamı) EN 62841'e göre belirlenmiştir:	
Kesme tahtaları	Titreşim emisyon değeri: $a_{h,B} = 6.83 \text{ m/s}^2$
	Belirsizlik $K = 1.5 \text{ m/s}^2$
Çelik metal kesme	Titreşim emisyon değeri: $a_{h,M} = 6.49 \text{ m/s}^2$
	Belirsizlik $K = 1.5 \text{ m/s}^2$

Beyan edilen toplam titreşim değeri ve beyan edilen gürültü emisyon değeri standart bir test yöntemine göre ölçülmüştür ve bir aleti diğeriyle karşılaştırmak için kullanılabilir. Beyan edilen titreşim toplam değeri ve beyan edilen gürültü emisyon değeri, maruziyetin ön değerlendirmesinde de kullanılabilir.

UYARI: Elektrikli el aletinin fiili kullanımı sırasındaki titreşim ve gürültü emisyonları, aletin kullanım şekline ve özellikle ne tür bir elektrikli el aletinin kullanıldığına bağlı olarak beyan edilen değerden farklı olabilir.

İş parçasının işlenmesi, aşağıdaki örneklere ve takımın nasıl kullanıldığına ilişkin diğer varyasyonlara bağlıdır:

Aletin nasıl kullanıldığı ve kesilen veya delinen malzemeler. Aletin iyi durumda olması ve bakımının iyi yapılması.

Alet için doğru aksesuarın kullanılması ve aksesuarın keskin ve iyi durumda olduğundan emin olunması.

Tutamaklardaki kavramanın sıklığı ve titreşim ve gürültü önleyici aksesuarların kullanılıp kullanılmadığı.

Aletin tasarımına ve bu talimatlara uygun olarak kullanılıp kullanılmadığı.

Bu alet uygun şekilde kullanılmazsa el-kol titreşim sendromuna neden olabilir.

UYARI: Doğru olması için, gerçek kullanım koşullarında maruz kalma seviyesinin tahmini, aletin kullanımda olduğu zamanlar gibi çalışma döngüsünün tüm bölümlerini de dikkate almalıdır. kapalıyken ve boşta çalışırken ama aslında iş yapmıyorken. Bu, toplam çalışma süresi boyunca maruz kalma seviyesini önemli ölçüde azaltabilir.

Titreşim ve gürültüye maruz kalma riskinizi en aza indirmeye yardımcı olur. Her zaman keskin keskiner, matkaplar ve bıçaklar kullanın.

Bu aletin bakımını bu talimatlara uygun olarak yapın ve iyi yağlanmış halde tutun (uygunsa). Alet düzenli olarak kullanılacaksa titreşim ve gürültü önleyici aksesuarlara yatırım yapın.

Çalışma programınızı, yüksek titreşimli alet kullanımını birkaç güne yayacak şekilde planlayın.

AKSESUARLAR

Ahşap kesme bıçağı	1
Toz adaptörü	
Taban kapağı	1
Paralel kılavuz	1

Aksesuarlarınızı size aleti satan mağazadan satın almanızı öneririz. Daha fazla bilgi için aksesuar ambalajına bakın. Mağaza personeli size yardımcı olabilir ve tavsiyelerde bulunabilir.

KULLANIM TALIMATLARI



NOT: Aleti kullanmadan önce talimat kitabını dikkatlice okuyun.

AMAÇLANAN KULLANIM

Makine, ahşap, plastik, metal ve yapı malzemelerini iş parçasına sıkıca yaslanarak kesmek için tasarlanmıştır. Düz ve kavisli kesimler için uygundur. Testere bıçağı tavsiyelerine uyulmalıdır.

ÇALIŞTIRMADAN ÖNCE

1. PİL TAKIMINI ÇIKARMA VE TAKMA (ÜRÜNLE BİRLİKTE VERİLMEMİŞTİR) (BKZ. ŞEKİL A1, A2)

Önce akü paketi açma düğmesine sıkıca basın ve ardından akü paketini kaydırarak aletinizden çıkarın.

Tam şarjlı akü paketini, yerine oturana kadar yeterli kuvvetle aletin üzerine kaydırınız.

2. BIÇAK TAKILMASI

NOT: Herhangi bir ayarlama, servis veya bakım yapmadan önce akü paketini jig testereden çıkarın. Testere bıçağını değiştirirken koruyucu eldiven giyin.

- Testere bıçağının yerleştirilmesi (Bkz. Şekil B1)

Biçak tutucuyu açmak için, biçak serbest bırakma mandalını saat yönünde döndürün (jig testere baş aşağı) ve yerinde tutun. Ardından bıçağı, biçak dişleri öne bakacak şekilde biçak tutucu yuvasına tamamen yerleştirin ve kendiliğinden dönerek bıçağın üst kısmına kenetlenen olacak olan biçak serbest bırakma mandalını serbest bırakın. Yerine kilittendiğinden emin olmak için bıçağı tekrar biçak tutucunun içine itin. Bıçağın kenarının silindirik kılavuzunun

oluğunda bulunduğundan emin olun.

- Testere bıçağının çıkarılması (Bkz. Şekil B2)

Bir bıçağı çıkarmak için, bıçağı tutun ve biçak serbest bırakma mandalını saat yönünde döndürün, ardından bıçağı kaldırın (biçak yayla çıkarılabilir).



UYARI! Biçak dişleri çok keskindir.

En iyi kesim sonuçları için ihtiyacınız olan malzemeye ve kesim kalitesine uygun bir biçak kullandığınızdan emin olun.



UYARI! Yeni kullanılmış testere bıçağı çok sıcaktır, lütfen ısınmasına izin vermemeye dikkat edin. serin tutun veya koruyucu eldiven giyin.

3. PARALEL KILAVUZUN MONTAJI (BKZ. ŞEKİL C)

Paralel kılavuz kolunun yerleştirildiği delikleri genişletmek için paralel kılavuz kilit düğmesini saat yönünün tersine vidalayın. Ardından paralel kılavuz kolunu her iki delikten geçirin ve gerekli kesme mesafesini elde etmek için kilit düğmesini saat yönünde sıkın.

NOT: Paralel kılavuzu Şekil C'de gösterildiği gibi her iki taraftan monte edebilirsiniz.

4. TOZ ADAPTÖRÜNÜN TAKILMASI (BKZ. ŞEKİL D)

Toz adaptörü borusunu taban plakasının açıklığına monte edin. Toz adaptörünün plastik ucunun gövde üzerindeki ilgili açıklığa oturduğundan emin olun.

5. SARKAÇ HAREKET KONTROLÜ (BKZ. ŞEKİL E)

Sarkaç hareketi, daha yüksek kesme verimliliği için bıçağın ileri kesme açısını değiştirir. Bu, yüksüz çalışma sırasında da ayarlanabilir.

AKÜLÜ DEKUPAJ TESTERE

Daha fazla ayrıntı için aşağıdaki tabloya bakın. Sarkaç hareketi ile kesim yaparken aşırı bıçak kuvveti kullanmayın. Bıçak sadece yukarı doğru strokta kesim yapar.

0	İnce malzemeler. İnce kesimler. Sıkı kıvrımlar.
1	Sert malzemeler, (örn. çelik ve sunta)
2	Kalın malzemeler (örn. ahşap) ve plastik
3	Hızlı kesimler (örn. yumuşak ağaç). Ahşap damarları yönünde kesim.

6. GÜVENLİK AÇMA/KAPAMA DÜĞMESİ (BKZ. ŞEKİL F)

Açma/kapama düğmesini kilitlemek için, kilitleme düğmesini orta konuma getirin. Bu, kullanılmadığında yanlışlıkla çalıştırma olasılığını azaltmaya yardımcı olur.

Kilitleme düğmesini sola veya sağa doğru bastırın, ardından açma/kapama düğmesine basın ve kilitleme düğmesini bırakın. Anahtarınız artık açıktır. Kapatmak için açma/kapama düğmesini bırakmanız yeterlidir.

NOT: Ürün açıldığında LED ışık çalışma bölgesini otomatik olarak aydınlatacaktır.

UYARI! Doğrudan LED ışığına bakmayın!

- DEĞİŞKEN HIZ KONTROLÜ

Açma/kapama anahtarı aynı zamanda değişken hız kontrollü bir tetikleme anahtarıdır. Hız, açma/kapama anahtarına uyguladığınız basınçla minimumdan maksimuma ayarlanabilir. Hızı artırmak için daha fazla basınç uygulayın ve hızı azaltmak için basıncı bırakın.

7. DÜZ KESİM VE EĞRİ KESİM (BKZ. ŞEKİL G1, G2)

Jig testere düz bir çizgide kesebilir veya istediğiniz eğriye göre kesebilir.

8. TABAN PLAKASI AÇI AYARI (BKZ. ŞEK. H1-H3)

NOT: Taban plakasını ayarlamadan önce toz adaptörünü çıkarın.

NOT: Taban plakasını ölçeğe göre istenen konuma döndürün. Bıçağın, bıçak konumlandırma tekerleğinin arasına girdiğinden emin olun.

Taban plakası açısını ayarlamak için taban plakası ayar kolunu ileri doğru döndürerek taban plakasının kilidini açın. Taban plakasını hafifçe öne doğru itin, böylece taban plakası üzerindeki açılı çizgileri ve açılı plakası istenen açıda (0°, 15°, 30°, 45°) üst üste gelir. Taban plakasını geri çekin sıkı mak için. Diğer gönye açıları için, istediğiniz açıya döndürün (biriletli ölçeği kullanın). Ardından taban plakasını bu açıya kilitlemek için taban plakası ayar düğmesini geriye doğru döndürün. Son olarak, açığı kontrol edin ve taban plakasının sıkıca kenetlendiğinden emin olun.

NOT: Taban plakası üzerindeki açılı işaretleri çoğu genel amaç için doğrudur, ancak doğru çalışma için açının bir ölçer ile ayarlanması ve başka bir malzeme üzerinde test kesimi yapılması önerilir.

9. PARMAK KORUMASI

Parmak koruması bıçak tutucunun önünde bulunur. Çalışırken, hareketli bıçakla kazara teması önlemeye yardımcı olacaktır.

JIG TESTERENİZ İÇİN ÇALIŞMA İPUÇLARI

Jig testereniz özellikle düşük hızda kullanıldığında çok ısınır, hızı maksimuma ayarlayın ve motoru soğutmak için 2-3 dakika yüksüz çalıştırın.

Çok düşük hızlarda uzun süreli kullanımdan kaçının.

GENEL

Her zaman kesilecek malzemeye ve malzeme kalınlığına uygun bir bıçak kullanın. Hareketi önlemek için her zaman iş parçasının sıkıca tutulduğundan veya kelepçelendiğinden emin olun. Daha kolay kontrol için, kesmeye başlamak için düşük hız kullanın, ardından doğru hıza yükseltin.

Malzemenin herhangi bir hareketi kesim kalitesini etkileyebilir.

Bıçak yukarı doğru strokta keser ve iş parçasının en üst yüzeyini veya yüzünü talaş kaldırabilir.

İşiniz bittiğinde en üst yüzeyinizin görünmeyen bir yüzey olduğundan emin olun.

LAMINATLARIN KESİLMESİ

Çoğu laminat ve ince ahşap malzemeyi keserken ince dişli bir bıçak kullanın. Kenar talaşını azaltmak için atık ahşap parçalarını her iki uçtan sıkıştırın ve kesim sırasında atık ahşaptan kesin.

DAİRE KESİMİ

Dar daireler veya açılar keserken sarkaç hareketini kullanmayın.

DALDIRMALI TESTERE (BKZ. ŞEKİL 11, 12)

Daldırmalı kesim yalnızca ahşap, gaz beton, alçı sıva levhalar vb. gibi yumuşak malzemelerde kullanılabilir.

Sadece kısa testere bıçakları kullanın. Taban plakasının ön kenarını iş parçasının üzerine yerleştirin ve açın. Makineyi iş parçasına sıkıca bastırın ve testere bıçağını yavaşça iş parçasına daldırın.

Taban plakasının tüm yüzeyi iş parçası üzerine oturur oturmaz, kesme çizgisi boyunca testereyle kesmeye devam edin.

METAL KESİMİ

Demir içeren metaller için daha ince dişli bir bıçak ve demir içermeyen metaller için daha kalın dişli bir bıçak kullanın.

İnce sac metalleri keserken, sac metalin titreşimini veya yırtılmasını azaltmak için her zaman sacın her iki tarafına ahşap sıkıştırın. Hem ahşap hem de sac kesilmelidir. İnce metal veya çelik sac keserken kesme bıçağını zorlamayın çünkü bunlar daha sert malzemelerdir ve kesilmeleri daha uzun sürer. Aşırı bıçak kuvveti bıçağın ömrünü kısaltabilir veya motora zarar verebilir. Metal kesimi sırasında ısıyı azaltmak için kesim hattı boyunca biraz yağlayıcı ekleyin.

BAKIM

Herhangi bir ayarlama, servis veya bakım yapmadan önce aküyü çıkarın.


Aletiniz ek yağlama veya bakım gerektirmez. Elektrikli el aletinizde kullanıcı tarafından bakımı yapılabilecek hiçbir parça yoktur. Elektrikli el aletinizi temizlemek için asla su veya kimyasal temizleyiciler kullanmayın. Kuru bir bezle silerek

temizleyin. Elektrikli el aletinizi daima kuru bir yerde saklayın. Motor havalandırma deliklerini temizleyin. Tüm çalışma kontrollerini tozdan uzak tutun. Ara sıra havalandırma deliklerinden kıvılcım çıktığını görebilirsiniz. Bu normaldir ve elektrikli el aletinize zarar vermez.

AKÜLÜ ALETLER İÇİN

Alet ve akünün kullanımı ve depolanması için ortam sıcaklığı aralığı 0 °C-45 °C'dir. Şarj sırasında şarj sistemi için önerilen ortam sıcaklığı aralığı 0 °C- 40 °C'dir.

ÇEVRE KORUMA

 Atık elektrikli ürünler evsel atıklarla birlikte atılmamalıdır. Lütfen tesislerin bulunduğu yerlerde geri dönüşüm yapın. Geri dönüşüm tavsiyeleri için yerel yetkililere veya perakendecinize danışın.

AKÜLÜ DEKUPAJ TESTERE

EC Uygunluk Beyanı



Biz : **HYUNDAI Corporation Holdings Europe**
Am Kronberger Hang 2A, 65824, Schwalbach am Taunus
Germany

Aşağıda ayrıntıları verilen ürünün :
Akülü dekupaj testere

MODEL : JS20X-26
İŞLEV : Çeşitli malzemelerin kesilmesi

Konsey Direktiflerinin gerekliliklerini karşılar :
2006/42/EC, 2014/30/EU
2011/65/EU & (EU)2015/863

Standartlara Uygunluk :
EN 62841-1, EN 62841-2-11,
EN IEC 55014-1, EN IEC 55014-2,
EN IEC 63000

Teknik dosyayı düzenlemeye yetkili kişi,
İsim : Hyundae Kim
Adres : HYUNDAI Corporation Holdings Europe
65824 Schwalbach am Taunus, Germany

Genel Müdür

Jaiwon Hur

Proje Müdürü

Sungwoo Hong

Tarih : 2024.09.25

HYUNDAI
POWER PRODUCTS



HYUNDAI Corporation Holdings

25, Yulgok-ro 2-gil, Jongno-gu, Seoul 03143, Korea

Post Code: 03143

+82 2 390 1114

www.hyundaicorpholdings.com